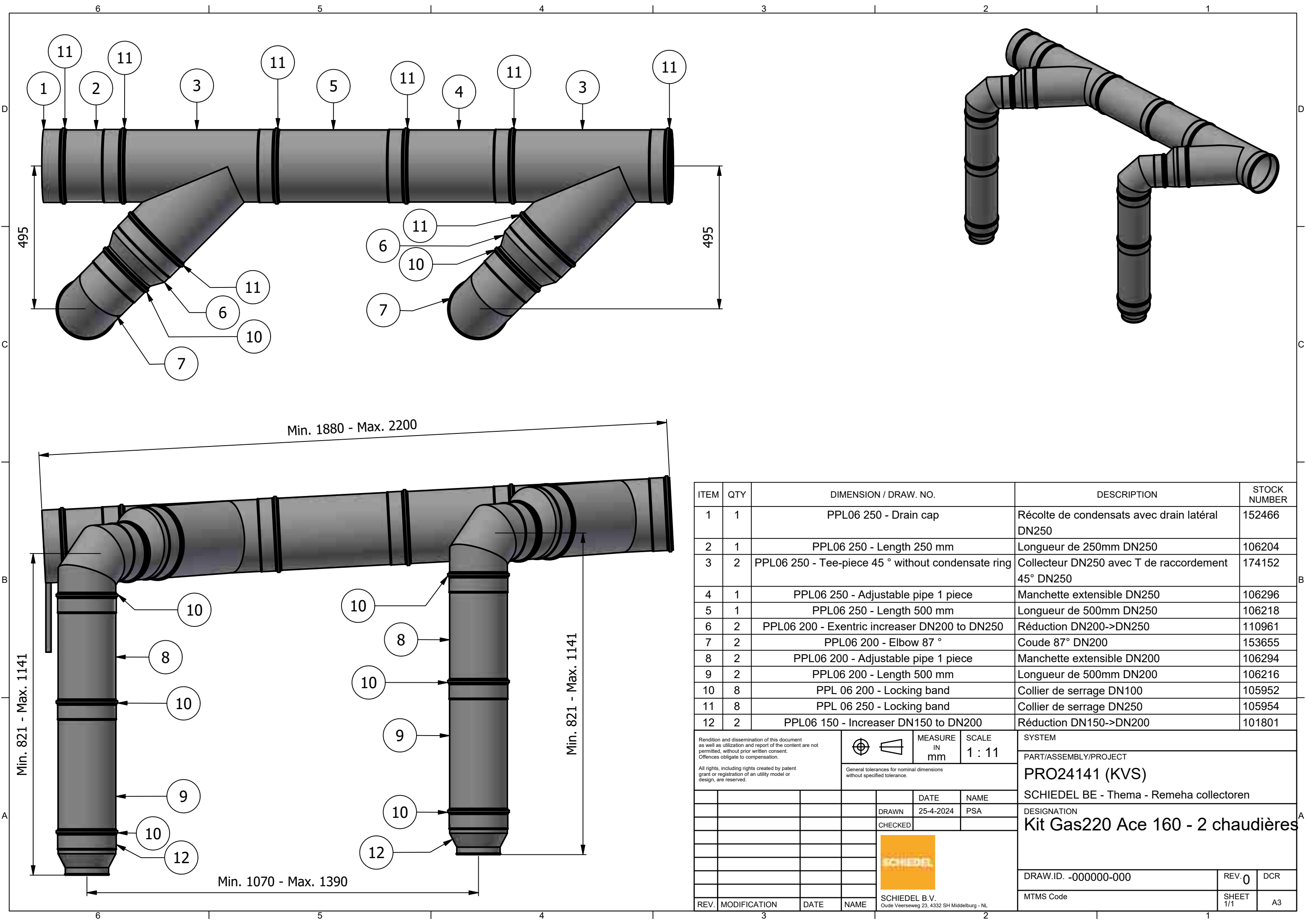


Kit Gas220 Ace 160 - 2 chaudières.....	1
Kit Gas220 Ace 160 - 1 chaudière supplémentaire.....	2
Kit Gas220 Ace 200-250-300 - 2 chaudières.....	3
Kit Gas220 Ace 200-250-300 - 1 chaudière supplémentaire.....	4

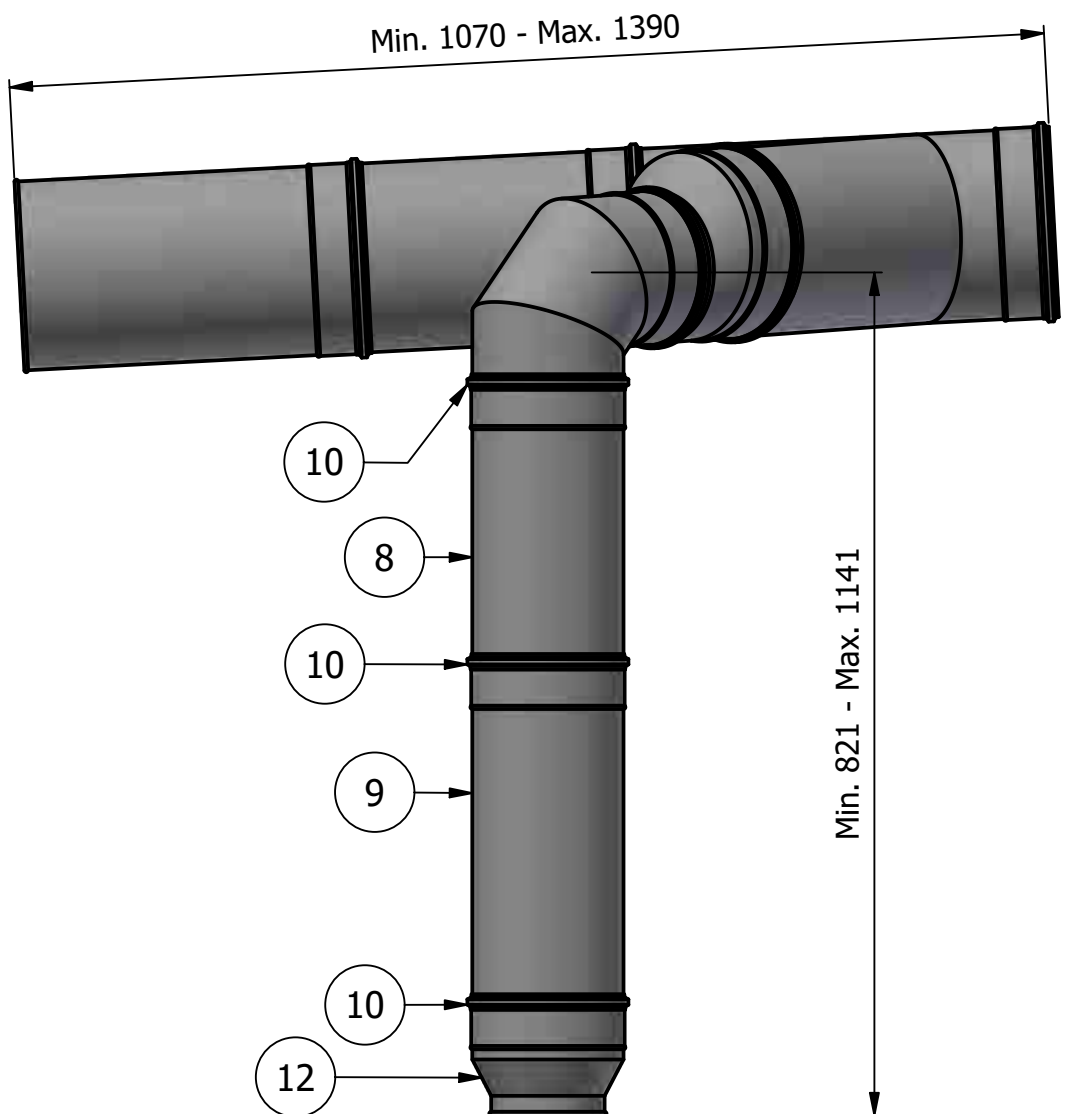
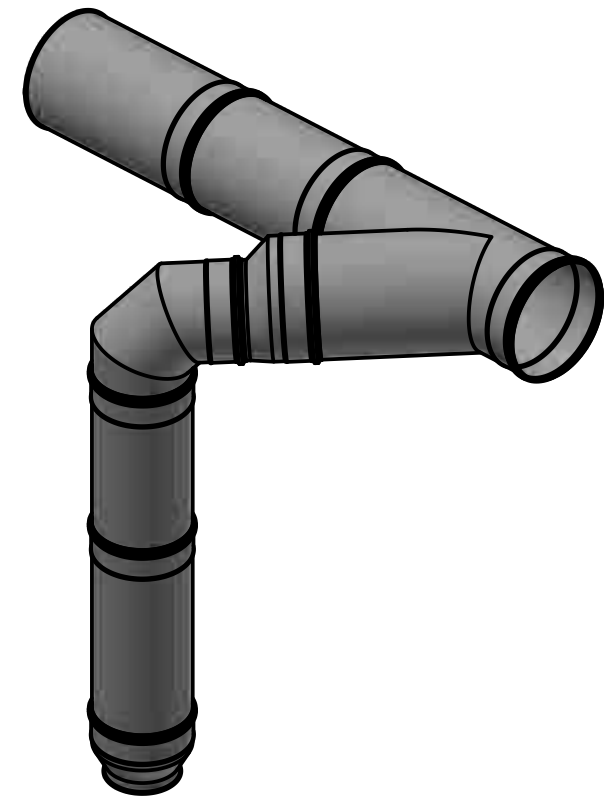
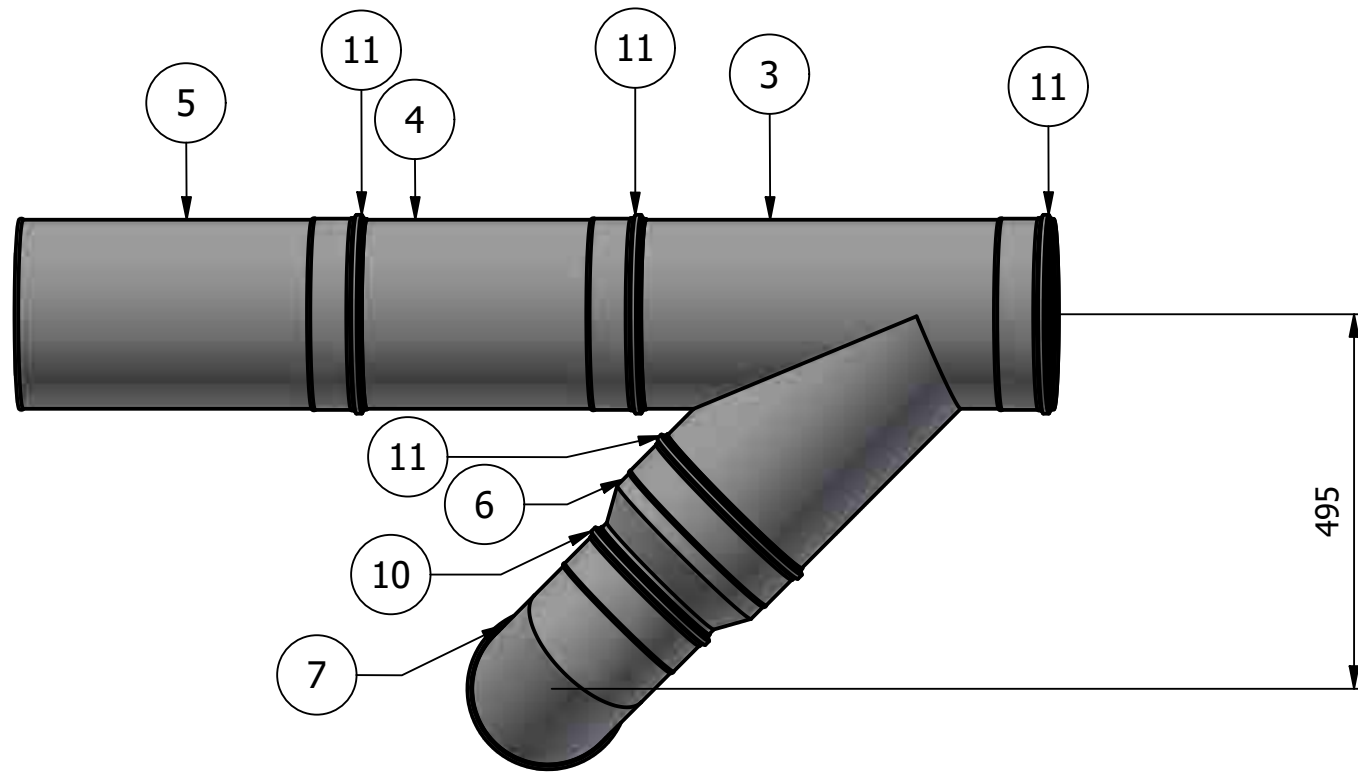


ITEM	QTY	DIMENSION / DRAW. NO.	DESCRIPTION	STOCK NUMBER
1	1	PPL06 250 - Drain cap	Récolte de condensats avec drain latéral DN250	152466
2	1	PPL06 250 - Length 250 mm	Longueur de 250mm DN250	106204
3	2	PPL06 250 - Tee-piece 45° without condensate ring	Collecteur DN250 avec T de raccordement 45° DN250	174152
4	1	PPL06 250 - Adjustable pipe 1 piece	Manchette extensible DN250	106296
5	1	PPL06 250 - Length 500 mm	Longueur de 500mm DN250	106218
6	2	PPL06 200 - Exentric increaser DN200 to DN250	Réduction DN200->DN250	110961
7	2	PPL06 200 - Elbow 87°	Coude 87° DN200	153655
8	2	PPL06 200 - Adjustable pipe 1 piece	Manchette extensible DN200	106294
9	2	PPL06 200 - Length 500 mm	Longueur de 500mm DN200	106216
10	8	PPL 06 200 - Locking band	Collier de serrage DN100	105952
11	8	PPL 06 250 - Locking band	Collier de serrage DN250	105954
12	2	PPL06 150 - Increaser DN150 to DN200	Réduction DN150->DN200	101801

<small>Rendition and dissemination of this document as well as utilization and report of the content are not permitted, without prior written consent. Offences obligate to compensation.</small>			<b>SCALE</b> 1 : 11	<b>SYSTEM</b> PART/ASSEMBLY/PROJECT <b>PRO24141 (KVS)</b>		
<small>All rights, including rights created by patent grant or registration of an utility model or design, are reserved.</small>				General tolerances for nominal dimensions without specified tolerance.		<b>SCHIEDEL BE - Thema - Remeha collectoren</b>
		DATE	NAME	<b>DESIGNATION</b> <b>Kit Gas220 Ace 160 - 2 chaudières</b>		
		DRAWN	25-4-2024	PSA		
		CHECKED				
				DRAW.ID. -000000-000		
				REV. 0 DCR		
REV.	MODIFICATION	DATE	NAME	MTMS Code		
				SHEET 1/1 A3		

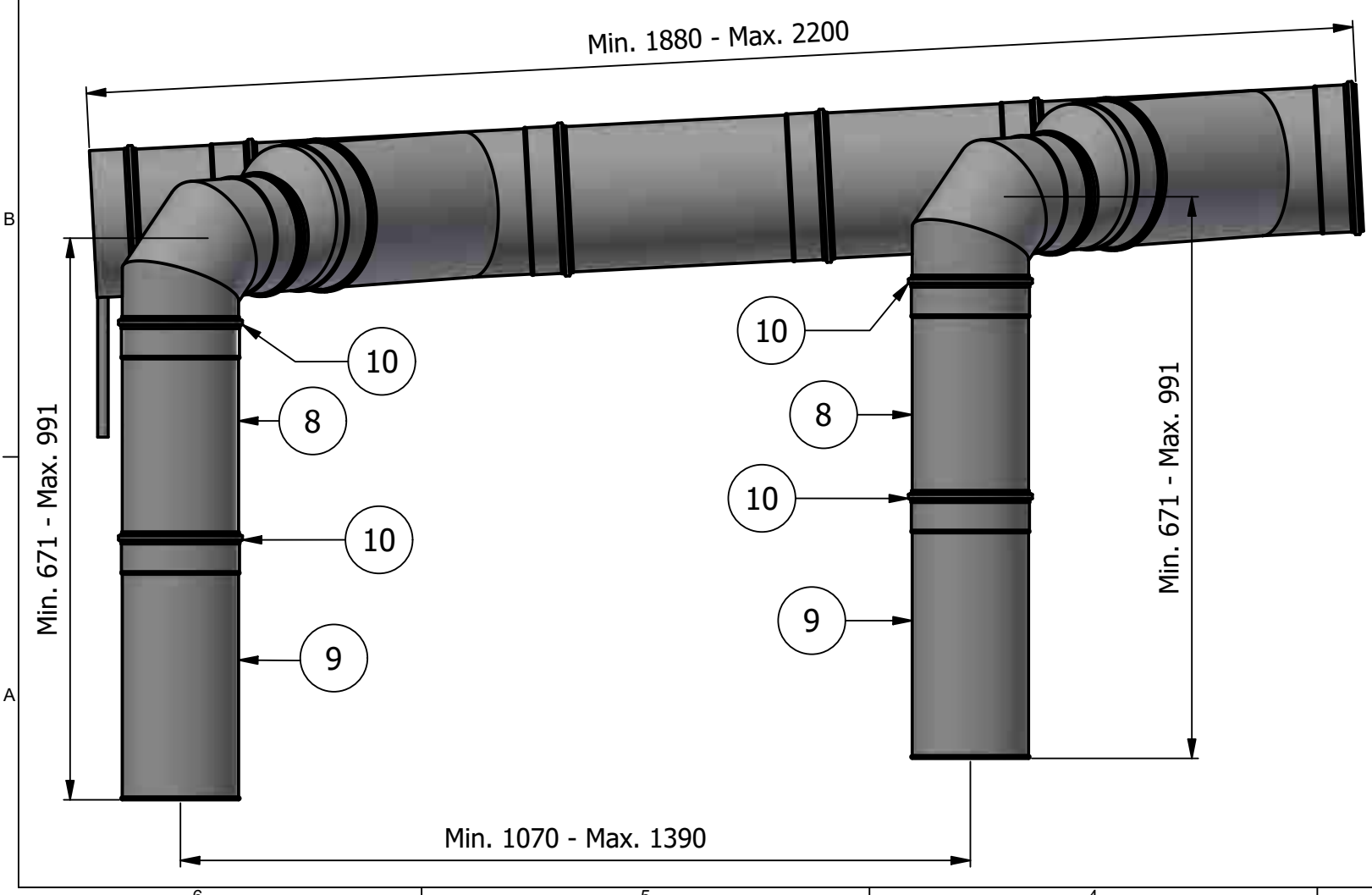
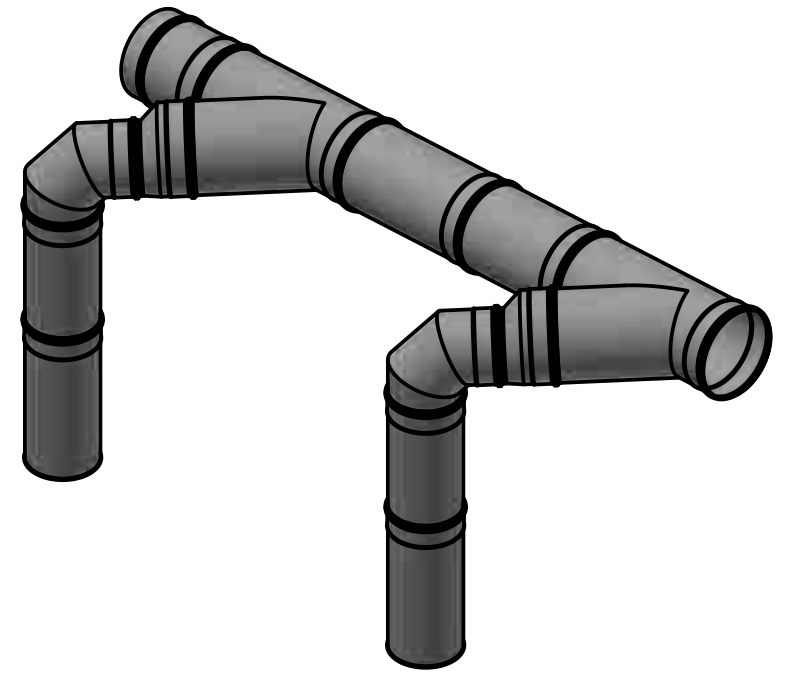
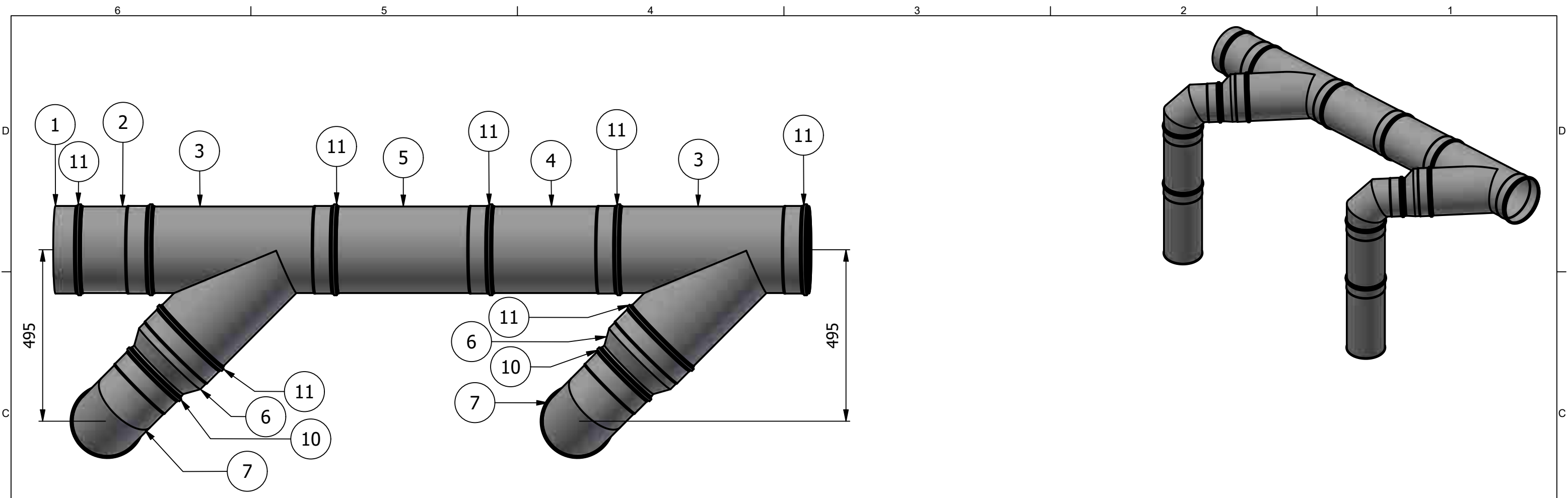


SCHIEDEL B.V.  
Oude Veerseweg 23, 4332 SH Middelburg - NL

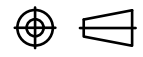


12	1	PPL06 150 - Increaser DN150 to DN200	Réduction DN150->DN200	101801
11	4	PPL 06 250 - Locking band	Collier de serrage DN250	105954
10	4	PPL 06 200 - Locking band	Collier de serrage DN100	105952
9	1	PPL06 200 - Length 500 mm	Longueur de 500mm DN200	106216
8	1	PPL06 200 - Adjustable pipe 1 piece	Manchette extensible DN200	106294
7	1	PPL06 200 - Elbow 87 °	Coude 87° DN200	153655
6	1	PPL06 200 - Exentric increaser DN200 to DN250	Réduction DN200->DN250	110961
5	1	PPL06 250 - Length 500 mm	Longueur de 500mm DN250	106218
4	1	PPL06 250 - Adjustable pipe 1 piece	Manchette extensible DN250	106296
3	1	PPL06 250 - Tee-piece 45 ° without condensate ring	Collecteur DN250 avec T de raccordement 45° DN250	174152
ITEM	QTY	DIMENSION / DRAW. NO.	DESCRIPTION	STOCK NUMBER

<small>Rendition and dissemination of this document as well as utilization and report of the content are not permitted, without prior written consent. Offences obligate to compensation.</small>				<b>MEASURE</b> IN mm	<b>SCALE</b> 1 : 10	<b>SYSTEM</b> PART/ASSEMBLY/PROJECT <b>PRO24141 (KVS)</b>	
<small>All rights, including rights created by patent grant or registration of an utility model or design, are reserved.</small>		<small>General tolerances for nominal dimensions without specified tolerance.</small>		DATE 25-4-2024	NAME PSA	<b>SCHIEDEL BE - Thema - Remeha collectoren</b>	
				DRAWN		<b>DESIGNATION</b> <b>Kit Gas220 Ace 160 - 1 chaudière supplémentaire</b>	
				CHECKED		DRAW.ID. -000000-000	
						REV. 0 DCR	
						MTMS Code	
REV.	MODIFICATION	DATE	NAME	<small>SCHIEDEL B.V. Oude Veerseweg 23, 4332 SH Middelburg - NL</small>		SHEET 1/1	A3

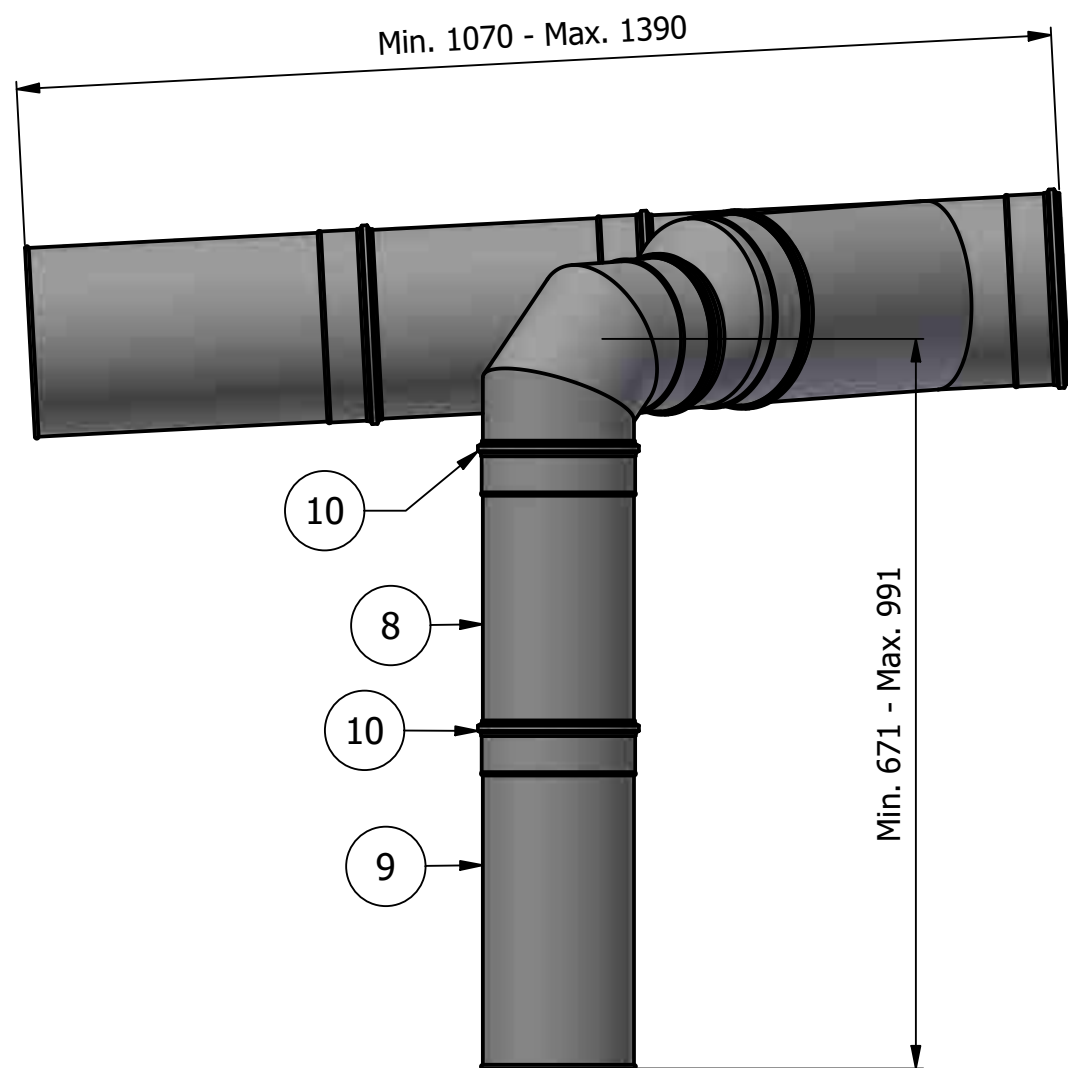
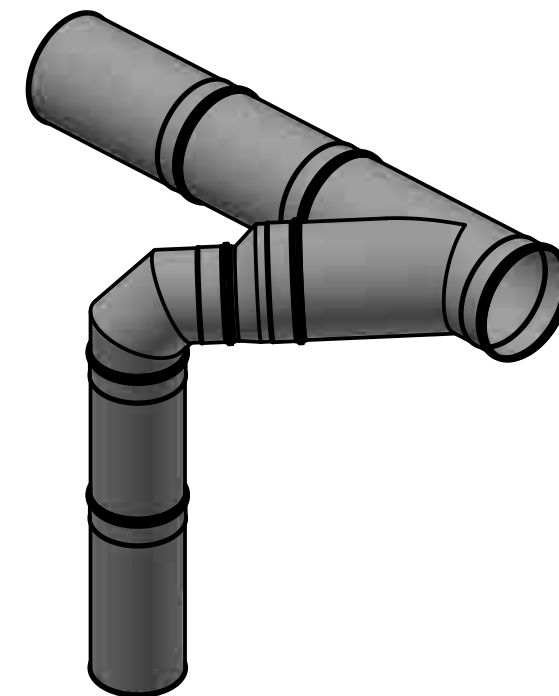
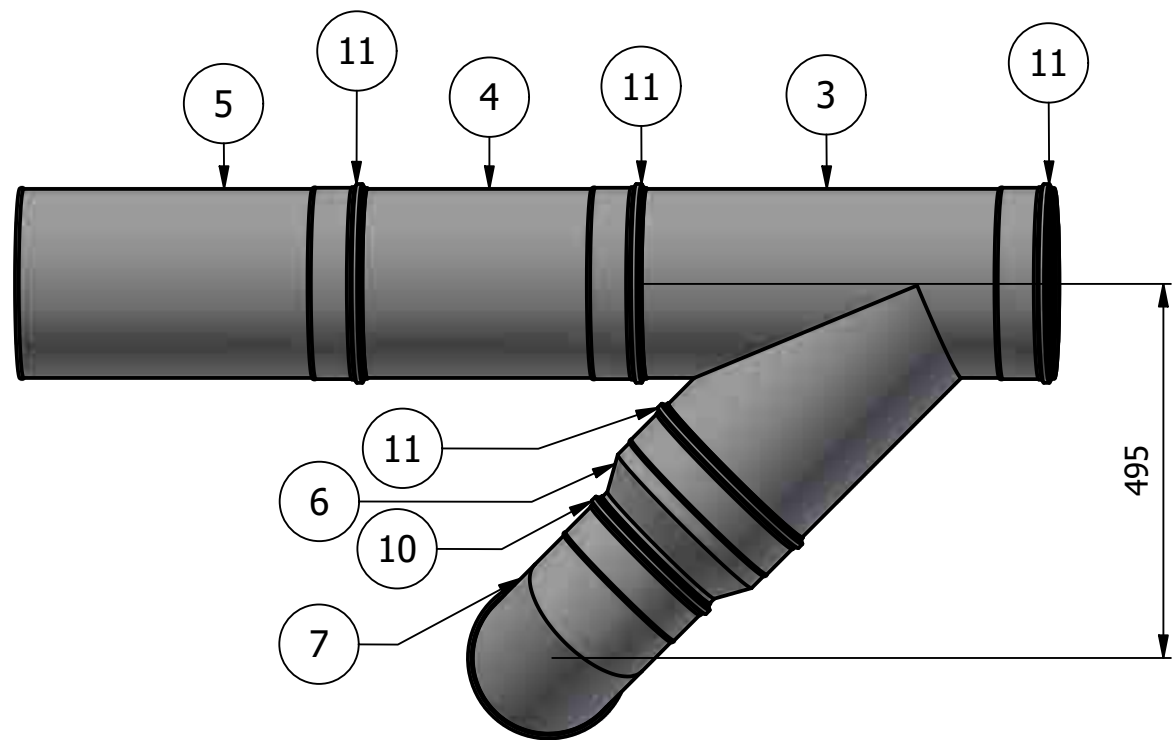


ITEM	QTY	DIMENSION / DRAW. NO.	DESCRIPTION	STOCK NUMBER
1	1	PPL06 250 - Drain cap	Récolte de condensats avec drain latéral DN250	152466
2	1	PPL06 250 - Length 250 mm	Longueur de 250mm DN250	106204
3	2	PPL06 250 - Tee-piece 45 ° without condensate ring	Collecteur DN250 avec T de raccordement 45° DN250	174152
4	1	PPL06 250 - Adjustable pipe 1 piece	Manchette extensible DN250	106296
5	1	PPL06 250 - Length 500 mm	Longueur de 500mm DN250	106218
6	2	PPL06 200 - Exentric increaser DN200 to DN250	Réduction DN200->DN250	110961
7	2	PPL06 200 - Elbow 87 °	Coude 87° DN200	153655
8	2	PPL06 200 - Adjustable pipe 1 piece	Manchette extensible DN200	106294
9	2	PPL06 200 - Length 500 mm	Longueur de 500mm DN200	106216
10	6	PPL 06 200 - Locking band	Collier de serrage DN100	105952
11	8	PPL 06 250 - Locking band	Collier de serrage DN250	105954

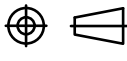

<small>Rendition and dissemination of this document as well as utilization and report of the content are not permitted, without prior written consent. Offences obligate to compensation.</small> <small>All rights, including rights created by patent grant or registration of an utility model or design, are reserved.</small>			MEASURE IN mm	SCALE 1 : 11	SYSTEM PART/ASSEMBLY/PROJECT <b>PRO24141 (KVS)</b> SCHIEDEL BE - Thema - Remeha collectoren
DATE 25-4-2024 NAME PSA		DESIGNATION <b>Kit Gas220 Ace 200-250-300 - 2 chaudières</b>			
DRAWN CHECKED		DRAW.ID. -000000-000 REV. 0 DCR			
REV. MODIFICATION DATE NAME		MTMS Code SHEET 1/1 A3			



SCHIEDEL B.V.  
Oude Veerseweg 23, 4332 SH Middelburg - NL



ITEM	QTY	DIMENSION / DRAW. NO.	DESCRIPTION	STOCK NUMBER
3	1	PPL06 250 - Tee-piece 45 ° without condensate ring	Collecteur DN250 avec T de raccordement 45° DN250	174152
4	1	PPL06 250 - Adjustable pipe 1 piece	Manchette extensible DN250	106296
5	1	PPL06 250 - Length 500 mm	Longueur de 500mm DN250	106218
6	1	PPL06 200 - Exentric increaser DN200 to DN250	Réduction DN200->DN250	110961
7	1	PPL06 200 - Elbow 87 °	Coude 87° DN200	153655
8	1	PPL06 200 - Adjustable pipe 1 piece	Manchette extensible DN200	106294
9	1	PPL06 200 - Length 500 mm	Longueur de 500mm DN200	106216
10	3	PPL 06 200 - Locking band	Collier de serrage DN100	105952
11	4	PPL 06 250 - Locking band	Collier de serrage DN250	105954

<small>Rendition and dissemination of this document as well as utilization and report of the content are not permitted, without prior written consent. Offences obligate to compensation.</small> <small>All rights, including rights created by patent grant or registration of an utility model or design, are reserved.</small>				MEASURE IN mm	SCALE 1 : 10	SYSTEM PART/ASSEMBLY/PROJECT <b>PRO24141 (KVS)</b> SCHIEDEL BE - Thema - Remeha collectoren	
		<small>General tolerances for nominal dimensions without specified tolerance.</small>		DATE 25-4-2024	NAME PSA	DESIGNATION <b>Kit Gas220 Ace 200-250-300 - 1</b> <b>chaudière supplémentaire</b>	
				CHECKED		DRAW.ID. -000000-000	
						REV. 0	DCR
REV.	MODIFICATION	DATE	NAME	SCHIEDEL B.V. <small>Oude Veerseweg 23, 4332 SH Middelburg - NL</small>		MTMS Code	SHEET 1/1