

%HOJLTXH

IU

'HXWVFKH \$QOHLWXQJ DXI \$QIUDJH HUK!OW,OFK



1RWLFH G LQVWDOODW

FKDXGL<sup>a</sup>UH PXUDOH JD] ¢

4XLQWD \$FH

# &KHU FOLHQW

0HUFL G DYRLU IDLW O DFTXLVLWLRQ GH FHW DSSDUHLO

1RXV YRXV LQYLWRQV & OLUH DWWHQWLYHPPHQW OD SU«VHQWH QRWLFH DYDQW C  
HGGURLW DGDSW« DILQ GH SRXYRLU YRXV \ U«I«UHU XOW«ULXUHPHQW 3RXU J  
UHFPPDQGRQV GH SURF«GHU U«JXOL<sup>a</sup>UHPHQW DX[ RS«UDWLRQV G HQWUHLHQ  
WHFKQLTXH SHXYHQW YRXV DSSRUWHU OHXU DLGH GDQV FHV RS«UDWLRQV

1RXV HVS«URQV TXH YRXV SURILWHUH] GH YRWUH SURGXLW SHQGDQW GH ORQJX

7DEOH GHV PDWL<sup>a</sup>UHV**&RQVLJQHV GH V«FXULW«**

&RQVLJQHV J«Q«UDOHV GH V«FXULW«  
 5HFRPPDQGDWLRQV  
 5HVSQRVDELOLW«V  
   5HVSQRVDELOLW« GX IDEULFDQW  
   5HVSQRVDELOLW« GH O LQVWDOODWHXU  
   5HVSQRVDELOLW« GH O XWLLOLVDWHXU

**\$ SURSRV GH FHWWH QRWLFH**

\*«Q«UDOLW«V  
 'RFXPHQWDWLRQ FRPSO«PHQWDLUH  
 6\PEROHV XWLLOLV«V  
   6\PEROHV XWLLOLV«V GDQV OD QRWLFH

**'HVFULSWLRQ GX SURGXLW**

'HVFULSWLRQ J«Q«UDOH  
 3ULQFLSDX[ FRPSRVDQWV  
   3RPSH GH FLUFXODWLRQ

**\$YDQW O LQVWDOODWLRQ**

5«JOHPHQWDWLRQV SRXU O LQVWDOODWLRQ  
 &KRL[ GH O HPSODFHPHQW  
   3ODTXHWWH VLJQDO«WLTXH  
   ,PSODQWDWLRQ GH OD FKDXGL<sup>a</sup>UH  
 \$«UDWLRQ  
 ([LJHQFHV FRQFHUQDQW OHV UDFFRUGHPHQWV G HDX &&  
 ([LJHQFHV FRQFHUQDQW OH FRQGXLW G «YDFXDWLRQ GHV FRQGHQVDWV  
 ([LJHQFHV FRQFHUQDQW OH UDFFRUGHPHQW JD]  
 ([LJHQFHV FRQFHUQDQW OHV UDFFRUGHPHQWV «OHFWULTXHV  
 ([LJHQFHV FRQFHUQDQW OH V\WV<sup>a</sup>PH G «YDFXDWLRQ GHV IXP«HV  
   &ODVVILFDWLRQ  
   ODW«ULDX  
   'LPHQVLRQV GH OD FRQGXLWH GH OD EXVH GH IXP«HV  
   /RQJXHUV GHV FRQGXLWV G DLU HW GH IXP«HV  
   &RQVLJQHV FRPSO«PHQWDLUHV  
 4XDOLW« GH O HDX HW WUDLWHPHQW GH O HDX  
 '«ELW G HDX GDQV OHV DSSOLFDWLRQV GH FKDOHXU LQGXVWULHOOH  
 \$XJPHQWDWLRQ GX U«JODJH Â7 VWDQGDUG

**,QVWDOODWLRQ**

3RVLWLRQQHPHQW GH OD FKDXGL<sup>a</sup>UH  
 5LQ©DJH GH O LQVWDOODWLRQ  
 5DFFRUGHU OH FLUFXLW GH FKDXIIDJH  
 5DFFRUGHPHQW GX FRQGXLW G «YDFXDWLRQ GHV FRQGHQVDWV  
 5DFFRUGHPHQW JD]  
 5DFFRUGHPHQW GH OD IXPLVWHULH  
   5DFFRUGHPHQW GH OD EXVH GH IXP«HV HW GH O DUULY«H G DLU  
 5DFFRUGHPHQWV «OHFWULTXHV  
   8QLW« GH FRPPDQGH  
   \$FF<sup>a</sup>V DX[ FRQQHFWHXUV  
   2SWLRQV GH UDFFRUGHPHQW GH OD FDUWH «OHFWURQLTXH VWDQGDUG  
   &DUWHV «OHFWURQLTXHV GH FRPPDQGH VXSSO«PHQWDLUHV

**\$YDQW OD PLVH HQ VHUYLFH**

'HVFULSWLRQ GX WDEOHDX GH FRPPDQGH  
 6LJQLILFDWLRQ GHV WRXFKHV  
 6LJQLILFDWLRQ GHV V\PEROHV DIILFK«V  
 1DYLJDWLRQ GDQV OHV PHQXV  
 3RLQWV ç Y«ULILHU DYDQW OD PLVH HQ VHUYLFH  
   5HPSOLU OH VLSKRQ  
   5HPSOLU O LQVWDOODWLRQ  
   &LUFXLW JD]  
   &LUFXLW K\GUDXOLTXH  
   5DFFRUGHPHQWV «OHFWULTXHV

**0LVH HQ VHUYLFH**

3URF«GXUH GH PLVH HQ VHUYLFH  
5«JODJHV JD]  
\$GDSWDWLRQ 4 XQ DXWUH JD]  
9«ULILFDWLRQ HW U«JODJH GX UDSSRUW JD] DLU  
)LQDOLVDWLRQ GH OD PLVH HQ VHUYLFH

**5«JODJHV**

0RGLILFDWLRQ GHV SDUDP<sup>a</sup>WUHV  
&RQILJXUDWLRQ GHV SDUDP<sup>a</sup>WUHV GH O LQVWDOODWLRQ  
/LVWH GHV SDUDP<sup>a</sup>WUHV  
'HVFULSWLRQ GHV, U«FRQWURO  
'HVFULSWLRQ GHV SDUDP<sup>a</sup>WUHV GH O XQLW« GH FRPPDQGH &8 \*+

**(QWUHWLHQ**

\*«Q«UDOLW«V  
0HVVDJH G HQWUHWLHQ  
2S«UDWLRQV GH FRQWU«OH HW G-HQWUHWLHQ VWDQGDUG  
&RQWU«OH GH OD SUHVVLQR KIGUDXOLTXH  
&RQWU«OH GX FRXUDQW G LRQLVDWLRQ  
9«ULILFDWLRQ GHV UDFFRUGHPHQWV GH IXPLVWHULH  
&RQWU«OH GH OD FRPEXVWLRQ  
1HWWR\DJH GX VLSKRQ  
2S«UDWLRQV G-HQWUHWLHQ VS«FLILTXHV  
\*«Q«UDOLW«V  
'«SRVH GX SDQQHDX DYDQW  
&RQWU«OH GX FODSHW DQWL UHWRXU  
5HPRQWDJH GH OD FKDXGL<sup>a</sup>UH

**(Q FDV GH G«UDQJHPHQW**

&RGHV G HUUHXU  
\$YHUWLVVHPHQW  
%ORFDJH  
9HUURXLOODJH  
+LVWRULTXH GHV HUUHXUV

**&DUDFW«ULVWLTXHWHFKQLTXHV**

+RPRORJDWLRQV  
&HUWLILFDWLRQV  
&DW«JRULHV G DSSDUHLOV  
'LUHFWLYHV  
7HVW HQ VRUWLH G-XVLQH  
'LPHQVLRQV HW UDFFRUGHPHQWV  
6FK«PD «OHFWULTXH  
'RQQ«HV WHFKQLTXHV

**\$QQH[HV**

,QIRUPDWLRQV (U3  
)LFKH SURGXLW  
)LFKH GH SURGXLW FRPELQ«  
0LVH DX UHEXW  
0LVH DX UHEXW HW UHF\FODJH  
'«FODUDWLRQ GH FRQIRUPLW« &(  
5DFFRUGHPHQWV «OHFWULTXHWHFKQLTXHV RSWLRQQHOV  
&RIIHHW G H[WHQVLRQ «OHFWURQLTXH SRXU FDUWHV «OHFWURQLTXH

# &RQVLJQHV GH V«FXULW«

## &RQVLJQHV J«Q«UDOHV GH V«FXULW«

---

3RXU O LQVWDOODWHXU



### 'DQJHU

(Q FDV G RGHXU GH JD]

1H SDV XWLLOLVHU GH IODPPHV G  
IXPHU QH SDV DFWLRQQHU GH F  
G LQWHUUXSWHXUV «OHFWULTXH  
«FODLUDJH PRWHXU DVFHQVHX  
&RXSHU O DOLPHQWDWLRQ HQ JI  
2XYULU OHV IHQ-WUHV  
5HFKHUFKHU G «YHQWXHOHV IX  
LPP«GLDWHPHQW  
6L OD IXLWH VH WURXYH HQ DPR  
JD] HQ LQIRUPHU OD FRPSDJQLH



### 'DQJHU

(Q FDV G «PDQDWLRQV GH IXP«HV

«WHLQGUH OD FKDXGL<sup>a</sup>UH  
2XYULU OHV IHQ-WUHV  
5HFKHUFKHU G «YHQWXHOHV IX  
LPP«GLDWHPHQW



### \$WWHQWLRQ

\$SU<sup>a</sup>V OHV WUDYDX[ G HQWUHWLH  
Y«ULILHU WRXWH O LQVWDOODWLF  
V DVVXUHU TX LO Q \ D SDV GH IX

3RXU O XWLLOLVDWHXU ILQDO



'DQJHU

(Q FDV G RGHXU GH JD]

1H SDV XWLOLVHU GH IODPPHV G  
IXPHU QH SDV DFWLRQQHU GH F  
G LQWHUUXSWHXUV «OHFWULTXH  
«FODLUDJH PRWHXU DVFHQVHX  
&RXSHU O DOLPHQWDWLRQ HQ JI  
2XYULU OHV IHQ-WUHV  
<YDFXHU OHV OLHX[  
&RQWDFWHU XQ LQVWDOODWHXU



'DQJHU

(Q FDV G «PDQDWLRQV GH IXP«HV

<WHLQGUH OD FKDXGL<sup>a</sup>UH  
2XYULU OHV IHQ-WUHV  
<YDFXHU OHV OLHX[  
&RQWDFWHU XQ LQVWDOODWHXU



\$YHUWLVVHPPHQW

1H SDV WRXFKHU DX[ FRQGXLWV G  
OHV U«JODJHV GH OD FKDXGL<sup>a</sup>UH  
FRQGXLWV GH IXP«HV SHXW G«SDV



\$YHUWLVVHPPHQW

1H SDV HQWUHU HQ FRQWDFW SUR  
UDGLDWHXUV 6HORQ OHV U«JODJHV  
WHPS«UDWXUH GHV UDGLDWHXUV



\$YHUWLVVHPPHQW

)DLUH SUHXYH GH SUXGHQFH HQ F  
O HDX FKDXGH VDQLWDLUH 6HORQ  
FKDXGL<sup>a</sup>UH OD WHPS«UDWXUH GH  
VDQLWDLUH SHXW G«SDVVHU r&



\$YHUWLVVHPPHQW

/ XWLOLVDWLRQ GH OD FKDXGL<sup>a</sup>UH  
O XWLOLVDWHXU ILQDO YRXV GR  
RS«UDWLRQV G«FULWHV GDQV FH  
DXWUHV DFWLRQV QH SHXYHQW -V  
SDU XQ LQVWDOODWHXU LQJ«QLHX



\$YHUWLVVHPPHQW

/H WX\DX G-«YDFXDWLRQ GHV FRQ  
SDV -WUH UHPSODF« RX «WDQFK«  
QH XWUDOLVDWLRQ GHV FRQGHQVD  
V\WV<sup>a</sup>PH GRLW -WUH U«JXOL<sup>a</sup>UHPH  
FRQIRUP«PHQW DX[ LQVWUXFWLRQ



**\$WWHQWLRQ**

6 DVVXUHU TXH OD FKDXGL<sup>a</sup>UH HVV  
HQUUHWXHXH &RQWDFWHU XQ LQ  
VRXVFULUH XQ FRQWUDW GH PDLQ  
O HQWUHWLHQ GH OD FKDXGL<sup>a</sup>UH



**\$WWHQWLRQ**

8WLQLVHU XQLTXHPHQW GHV SL<sup>a</sup>FI  
G RULJLQH



**,PSRUWDQW**

9«ULILHU U«JXOL<sup>a</sup>UHPHQW OD SU«  
SUHVVLHQ GDQV O LQVWDOODWLRQ

**5HFRPPDQGDLRQV**



**'DQJHU**

&HW DSSDUHLO SHXW -WUH XWLOL  
G DX PRLQV KXLW DQV SDU GHV S  
FDSDFLW«V SK\VLTXHV VHQRULH  
U«GXLWHV RX SDU GHV SHUVRQQH  
G H[S«ULHQFH RX GH FRQQDLVVDQ  
TX LOV VRLHQW VXSHUYLV«V TX L  
LQVWUXFWLRQV UHODWLYHV & XQH  
O-DSSDUHLO HW TX LOV FRPSUHQ  
HQFRXUXV 1H ODLVVH] SDV OHV H  
O DSSDUHLO /H QHWWR\DJH HW O  
QH GRLYHQW SDV -WUH HIIHFWX«V  
VDQV VXUYHLOODQH



**\$YHUWLVVHPHQW**

/ LQVWDOODWLRQ HW O HQWUHWL  
-WUH HIIHFWX«V SDU XQ SURIHVV  
FRQIRUP«PHQW DX[ U«JOHPHQWDM  
QDLRQDOHV HQ YLJXHXU



**\$YHUWLVVHPHQW**

/ LQVWDOODWLRQ HW O HQWUHWL  
-WUH HIIHFWX«V SDU XQ SURIHVV  
FRQIRUP«PHQW DX[ U«JOHPHQWDM  
QDLRQDOHV HQ YLJXHXU



**\$YHUWLVVHPHQW**

/H G«PRQWDJH HW OD PLVH DX UH  
GRLYHQW -WUH HIIHFWX«V SDU XQ  
FRQIRUP«PHQW DX[ U«JOHPHQWDM  
QDLRQDOHV



**\$YHUWLVVHPPHQW**

3RXU «YLWHU WRXWH VLWXDWLRQ  
FRUGRQ VHFVHXU HVW HQGRPPDJ  
UHPSODF« SDU OH IDEULFDQW G R  
FRQFHVVLRQQDLUH GX IDEULFDQW  
SHUVRQQH GLVSRVDQW GHV FRPS«



**\$YHUWLVVHPPHQW**

\$YDQW G LQWHUYHQLU VXU OD FKI  
GX VHFVHXU HW IHUPHU OH URELQ



**\$YHUWLVVHPPHQW**

\$SU<sup>a</sup>V XQH RS«UDWLRQ G HQWUHW  
DXFXQH IXLWH VXU O HQVHPEOH G



**'DQJHU**

3RXU GHV UDLVRQV GH V«FXULW«  
UHFRPPDQGRQV G LQVWDOOHU OH  
HW GH &2 ¢ GHV HPSODFHPPHQWV D  
YRWUH GRPLFLOH



**\$WWHQWLRQ**

- /D FKDXGL<sup>a</sup>UH GRLW UHVWHU DFF  
PRPHQW
- /D FKDXGL<sup>a</sup>UH GRLW -WUH LQVWD  
O DEUL GX JHO
- 6L OH FRUGRQ VHFVHXU HVW UDF  
SHUPDQHQQH WRXMRXUV PRQWH  
SULQFLSDO ELSRODLUH DYHF XQH  
G RXYHUWXUH G DX PRLQV PP (
- 9LGDQJHU OD FKDXGL<sup>a</sup>UH HW O LQ  
FKDXIIDJH VL O KDELWDWLRQ GH  
SHQGQW XQH ORQJXH S«ULRGH  
JHO
- /D SURWHFWLRQ DQWLJHO QH IRQ  
FKDXGL<sup>a</sup>UH D «W« PLVH KRUV VHU
- /H V\W<sup>a</sup>PH GH SURWHFWLRQ LQW  
XQLTXHPPHQW OD FKDXGL<sup>a</sup>UH SDV
- 9«ULILHU U«JXOL<sup>a</sup>UHPHQW OD SU  
GDQV O LQVWDOODWLRQ 6L OD S  
LQI«ULHXUH ¢ EDU DMRXWHU  
O LQVWDOODWLRQ K\GUDXOLTXH  
UHFRPPDQG«H ¢ EDU



**,PSRUWDQW**

&RQVHUYHU FH GRFXPHQW ¢ SUR[L  
FKDXGL<sup>a</sup>UH

**i** ,PSRUWDQW  
1H UHWLUHU O KDELOODJH TXH SR  
G HQWUHWLHQ HW GH G«SDQQDJH  
SDQQHDX[ HQ SODFH XQH IRLV OH  
PDLQWHQDQFH RX G HQWUHWLHQ

**i** ,PSRUWDQW  
/HV DXWRFROODQWV G LQVWUXFW  
QH GRLYHQW MDPDLV -WUH UHWLU  
GRLYHQW UHVWHU OLVLEOHV SHQ  
YLH GH OD FKDXGL<sup>a</sup>UH 5HPSODFH  
OHV DXWRFROODQWV G-LQVWUXFW  
JDUGH DE°P«V RX LOOLVLEOHV

**i** ,PSRUWDQW  
'HV PRGLILFDWLRQV QH SHXYHQW  
OD FKDXGL<sup>a</sup>UH TX DSU<sup>a</sup>V DXWRULV  
5HPHKD

## 5HVSRQVDELOLW«V

### 5HVSRQVDELOLW« GX IDEUL

1RV SURGXLWV VRQW IDEULTX«V GDQ  
H[LJHQFHV GHV GLII«UHQWHV GLUHFW  
VRQW GH FH IDLW OLYD«V W~~W~~WHXOHOP  
GRFXPHQWV Q«FHVVDLUHV \$\DQW OH  
QRV SURGXLWV QRXV FKHUFKRQV HQ  
DP«OLRUHU 1RXV QRXV U«VHUVRQV  
PRGLILHU OHV FDUDFW«ULVWLTXH V L  
GRFXPHQW

1RWUH UHVSRQVDELOLW« HQ TXDOLW  
-WUH HQJDJ«H GDQV OHV FDV VXLYD

- 1RQ UHVSHFW GHV LQVWUXFWLRQV O  
G-HQWUHWLHQ GH O DSSDUHLO
- 1RQ UHVSHFW GHV LQVWUXFWLRQV O
- '«IDXW RX LQVXIILVDQFH G HQWUHW

### 5HVSRQVDELOLW« GH O LQV

/ LQVWDOODWHXU D OD UHVSRQVDELO  
SUHPL<sup>a</sup>UH PLVH HQ VHUYLFH GH O DS  
WHQX GH UHVSHFWHU OHV LQVWUXFW

- /LUH HW UHVSHFWHU OHV LQVWUXFW  
QRWLFHV IRXUQLHV DYHF O DSSDUHLO
- ,QVWDOOHU O DSSDUHLO FRQIRUP«P  
QRUPHV DFWXHOOPHQW HQ YLJXH
- (IIHFWXHU OD SUHPL<sup>a</sup>UH PLVH HQ VH  
Y«ULILFDWLRQV Q«FHVVDLUHV

- ([SOLTXHU O LQVWDOODWLRQ ¢ O XW
- 6L XQ HQWUHLHQ HVW Q«FHVVDLUH  
O REOLJDWLRQ GH FRQWU¶OH HW G
- 5HPHWWUH WRXWHV OHV QRWLFHV ¢

### 5HVSRQVDELOLW« GH O XWL

---

- 3RXU JDUDQWLU OH IRQFWLRQQHPHQ  
YRXV GHYH] UHVSHFWHU OHV FRQVLJ
- /LUH HW UHVSHFWHU OHV LQVWUXFW  
QRWLFHV IRXUQLHV DYHF O DSSDUH
  - )DLUH DSSHO ¢ XQ SURIHVVLRQQHO  
O LQVWDOODWLRQ HW HIIHFWXHU OD
  - 6H IDLUH H[SOLTXHU O LQVWDOODW
  - )DLUH HIIHFWXHU OHV FRQWU¶OHV H  
SDU XQ SURIHVVLRQQHO TXDOLIL«
  - &RQVHUYHU OHV QRWLFHV HQ ERQ «  
O DSSDUHLO

# \$ SURSRV GH FHWWH QRWLFH

## \* «Q «UDOLW «V

&H PDQXHO G «FULW O LQVWDOODWLRQ O XWLLOLV  
4XLQWD \$HF PDQXHO IDLW SDUWLH GH O HQVHPEOH  
IRXUQLH DYHF OD FKDXGL<sup>a</sup>UH

## 'RFXPHQWDWLRQ FRPSO «PHQWDLUH

/D GRFXPHQWDWLRQ VXLYDQWH HWV GLVSRQLEOH  
QRWLFH

- 1RWLFH G LQVWDOODWLRQ HW G HQWUHWLHQ
- 5<sup>a</sup>JOHV UHODWLYHV ¢ OD TXDOLW « GH O HDX

## 6\PEROHV XWLLOLV «V

### 6\PEROHV XWLLOLV «V GDQV OD QRWLFH

'DQV FHWWH QRWLFH GLII «UHQVV QLYHDX[ GH G  
O DWWHQWLRQ VXU GHV LQGLFDWLRQV SDUWLFXO  
OD V «FXULW « GH O XWLLOLV DWXU «YLWHU WRXW  
IRQFWLRQQHPHQW GH O DSSDUHLO

 **'DQJHU**  
5LVTXH GH VLWXDWLRQV GDQJHUHXVHV SRXY  
EOHVXUHV FRUSRUHOHV JUDYHV

 **'DQJHU G «OHFWURFXWLRQ**  
5LVTXH G «OHFWURFXWLRQ

 **\$YHUWLVVHPHQW**  
5LVTXH GH VLWXDWLRQV GDQJHUHXVHV SRXY  
EOHVXUHV FRUSRUHOHV O «J<sup>a</sup>UHV

 **\$WWHQWLRQ**  
5LVTXH GH G «J<sup>a</sup>WV PDW «ULHOV

 **,PSRUWDQW**  
\$WWHQWLRQ LQIRUPDWLRQV LPSRUWDQWHV

 **9RLU**  
5 «I «UHQFH ¢ G DXWUHV QRWLFHV RX ¢ G DXW

# 'HVFULSWLRQ GX SURGXLW

/D FKDXGLWVHOLYU«H DYHF XQ HQVHPEOH V  
FRPPDQGH XQLW« GH FRPPDQGH FDUWH «OHFW  
QRWLFH V DSSXLH VXU OHV YHUVLRQV GH ORJLFL  
VXLYDQWHV

7DE 9HUVLRQV GH ORJLFLHO HW GRQQ«HV GH QDYLJDWLRQ

	<b>1RP DIILFK« ¢ O «FUDQ</b>	<b>9HUVLRQ GX ORJLFL</b>
<b>&amp;KDXG4XULQWD \$FH</b>	&8 *+	
<b>7DEOHDX GH FRPPDQGWURO</b>	+0,	

## 'HVFULSWLRQ J«Q«UDOH

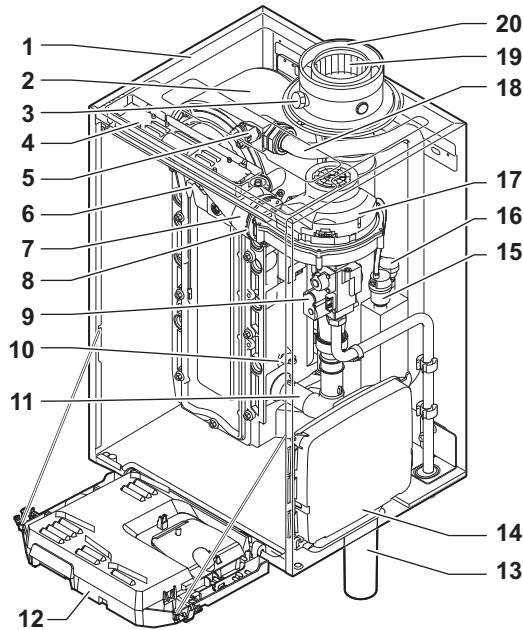
/D FKDXGLWVHOLYU«H XQH FKDXGLWUH PXUDOH JD] ¢  
DX[ FDUDFW«ULVWLTXH VXLYDQWHV

- &KDXIIDJH ¢ KDXW UHQGHPHQW
- )DLEOHV «PLVVLRQV SROOXDQWHV
- &KRL[ LG«DO SRXU OHV FRQILJXUDWLRQV HQ FDU

7RXV OHV PRG«OHV4«HQV«X«V UHLYU«V VDQV SRP  
DYHF OHV F«EOHV GH UDFFRUGHPHQW GH SRPSH ¢

## 3ULQFLSDX[ FRPSRVDQWV

)LJ 3ULQFLSDX[ FRPSRVDQWV



- +DELOODJH FDLVVRQ G DLU
- «FKDQJHXU WKHUPLTXH FKDXIIDJH
- 3ULVH GH PHVXUH GHV IXP«HV
- «FODLUDJH LQW«ULHXU
- 6RQGH GH G«SDUW
- «OHFWURGH G DOOXPDJH G LRQLVDWLRQ
- 7XEH GH P«ODQJH
- &ODSHW DQWL UHWRXU
- %ORF YDQQH JD] FRPELQ«
- 6RQGH GH UHWRXU
- 6LOHQFLHX[ G DGPLVVLRQ G DLU
- &RIIHW WDEOHDX GH FRPPDQGH
- 6LSKRQ
- 3XUJHXU DXWRPDWLTXH
- &DSWHXU GH SUHVLRQ KIGUDXOLTXH
- 9HQWLQDWHXU
- &RQXLWH GH G«SDUW
- &RQXLW G «YDFXDWLRQ GHV IXP«HV
- \$UULY«H G DLU

## 3RPSH GH FLUFXODWLRQ

,O Q \ D SDV GH SRPSH GH FLUFXODWLRQ OLYU«H  
FKRL[ G XQH SRPSH WHQLU FRPSWH GHV SHUWHV  
GH O LQVWDOODWLRQ

**! \$WWHQWLRQ**  
/D SRPSH SHXW DYRLU XQH SXLVVDQFH PD[LP  
XQ UHODLV DX[LOLDLUH DGDSW« ¢ XQH SRPSH

**9RLU**  
'RQQ«HV WHFKLTXH SDJH

6L SRVVLEOH LQVWDOOHU OD SRPSH GLUHFWHPH  
UDFFRUGHPHQW GX UHWRXU

# \$YDQW O LQVWDOODWLRQ

## 5«JOHPHQWDWLRQV SRXU O LQVWDOODWLRQ



### \$YHUWLVVHPPHQW

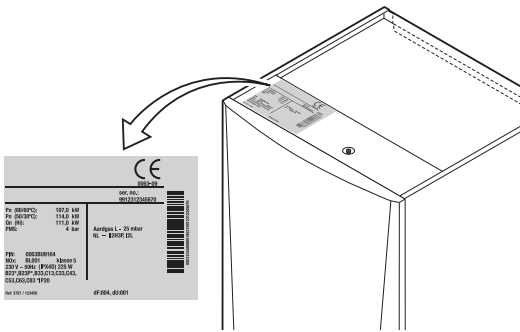
/D FKDXGL<sup>a</sup>UH GRLW -WUH LQVWDOO«H SDU X  
FRQIRUP«PHQW DX[ U«JOHPHQWDWLRQV ORFD

## &KRL[ GH O HPSODFHPHQW

### 3ODTXHWWH VLJQDO«WLTXH

)LJ

(PSODFHPHQW GH OD SODTXHWWH VLJQDO«WLTXH VLWX«H DX GHVVX  
VLJQDO«WLTXH QXP«UR GH V«ULH HW GHV FDUDFW«ULVWLTXHV L  
PRG<sup>a</sup>OH HW FDW«JRULH QRWDPPHQW /HV FRGH  
&1 ILJXUHQW «JDOHPHQW VXU OD SODTXHWWH V



AD-0000103-01

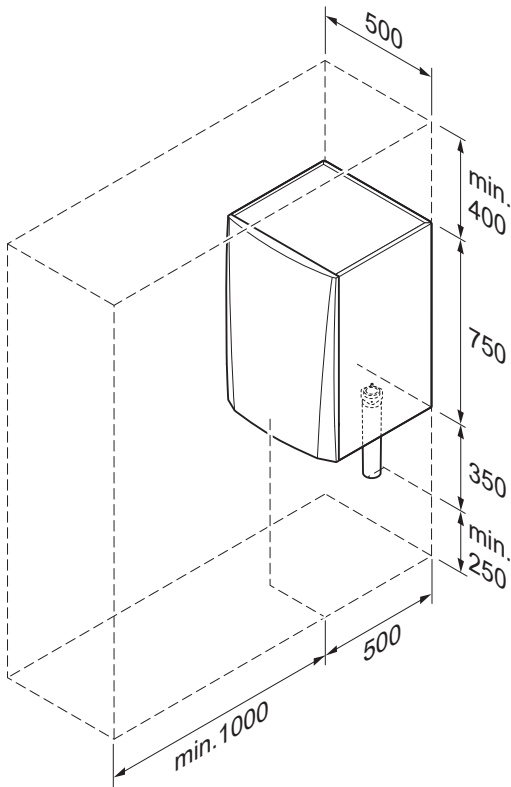
3ODTXHWWH VLJQDO«WLTXH VLWX«H DX GHVVX  
QXP«UR GH V«ULH HW GHV FDUDFW«ULVWLTXHV L  
PRG<sup>a</sup>OH HW FDW«JRULH QRWDPPHQW /HV FRGH  
&1 ILJXUHQW «JDOHPHQW VXU OD SODTXHWWH V

### ,PSODQWDWLRQ GH OD FKDXGL<sup>a</sup>UH

)LJ

=RQH G LQVWDOODWLRQ

- '«WHUPLQHU O HPSODFHPHQW LG«DO SRXU O LQ  
GLUHFVLYHV O«JDOHV HW GH O HQFRPEUHPHQW
- /RUV GX FKRL[ GX OLHX G LQVWDOODWLRQ WHQ  
GHV ERXFKHV G «YDFXDWLRQ GHV IXP«HV HW GH
- 3U«YRLU VXIILVDPPHQW G HVSDFH DXWRXU GH O  
O DFF<sup>a</sup>V HW OHV RS«UDWLRQV G HQWUHLHQ



AD-0000014-02



### 'DQJHU

,O HVV LQWHUGLW GH VWRFNHU P-<sup>a</sup>PH WHPSR  
PDWL<sup>a</sup>UHV LQIODPPDEOHV GDQV RX «SUR[LPL



### \$YHUWLVVHPPHQW

• )L[HU O DSSDUHLO VXU XQH SDURL VROLGH  
SRLGV GH OD FKDXGL<sup>a</sup>UH PLVH HQ HDX HW P  
«TXLSHPHQWV

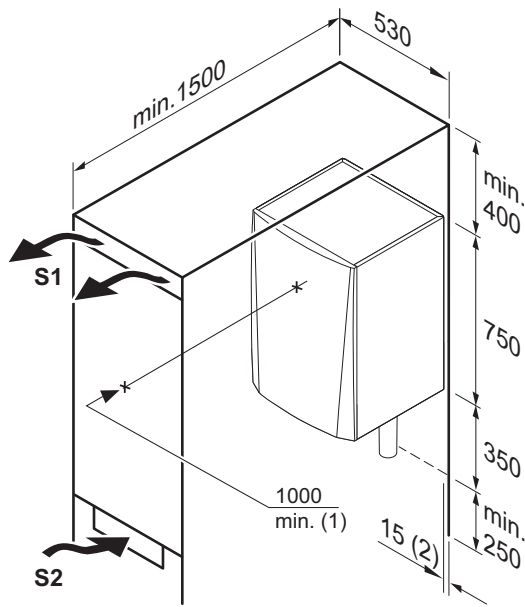


### \$WWHQWLRQ

- /D FKDXGL<sup>a</sup>UH GRLW -WUH LQVWDOO«H GDQV
- 8QH SULVH PXUDOH DYHF PLVH «OD WHUHU  
SUR[LPLW« GH OD FKDXGL<sup>a</sup>UH
- 3U«YRLU XQ UDFRUGHPHQW DX WX\DX G «Y  
OD FKDXGL<sup>a</sup>UH SRXU O «YDFXDWLRQ GHV FR

**\$ «UDWLRQ**

)LJ (VSDFH Ø SU«YRLU SRXU O D«UDWLRQ FDLVVVRQ  
 (VSDFH GH SDUW HW G DXWUH GH OD FKDXGLªUH



AD-000015-02

6L OD FKDXGLªUH HVW LQVWDOO«H GDQV XQ FDLV  
 PLQLPDOHV LQGLTX«HV 3U«YRLU «JDOHPHQW GHV  
 ULVTXH VXLVDQWV

- \$FFXPXODWLRQ GH JD]
- «FKDXIIHPHQW GX FDLVVVRQ

6HFWRQ PLQLPDOH 6HV6RXYHURXUHV

**([LJHQFHV FRQFHUQDQW OHV UDFRUGHPHQWV G HDX &&**

- /RUV GX PRQWDJH GHV URELQHWV G DUU-W SOD  
 HW GH YLGDQJH OH YDVH G H[SDQVLRQ HW OD V  
 URELQHW G DUU-W HW OD FKDXGLªUH
- ([«FXWHU OHV «YHQWXHOHV RS«UDWLRQV GHV  
 VXIILVDQWH GH OD FKDXGLªUH RX ELHQ DYDQW
- 3RXU UHPSOLU HW YLGDQJHU OD FKDXGLªUH LQ  
 UHPSOLVVDJH HW GH YLGDQJH VXU OH FLUFXLW
- ,QVWDOOHU XQ YDVH G H[SDQVLRQ GDQV OH WX

**([LJHQFHV FRQFHUQDQW OH FRQGXLW G «YDFXDWLRQ GHV FR**

- /H VLSKRQ GRLW LPS«UDWLYHPHQW -WUH UHPSO  
 IXP«HV Q HQUHQW GDQV OD SLªFH
- 1H MDPDLV ERXFKHU O «YDFXDWLRQ GHV FRQGH
- /H FRQGXLW G «YDFXDWLRQ GRLW SU«VHQWHU X  
 PP SDU PªWUH HW XQH ORQJXH XU KRUL]RQWDO
- / HDX FRQGHQV«H QH GRLW SDV -WUH UHMHW«H

**([LJHQFHV FRQFHUQDQW OH UDFRUGHPHQW JD]**

- \$YDQW WRXWH RS«UDWLRQ VXU OHV WX\DXWHUL  
 SULQFLSDO
- \$YDQW WRXWH LQVWDOODWLRQ Y«ULILHU TXH O  
 FRPSWHXU GH JD] HVW VXIILVDQWH 3UHQUH H  
 O HQVHPEOH GHV DSSDUHLOV «OHFWURP«QDJHU
- &RQDFWHU OH IRXUQLVVHXU ORFDO G «QHUJLH  
 FRPSWHXU GH JD] HVW LQVXIILVDQWH
- «OLPLQHU OHV U«VLGXV HW OD SRXVVªUH GX FF
- 5«DOLVHU OHV WUDYDX[ GH VRXGXUH WRXMRXUV  
 FKDXGLªUH
- ,O HVW UHFRPPDQG« G LQVWDOOHU XQ ILOWUH  
 GX EORF JD]

([LJHQFHV FRQFHUQDQW OHV UDFFRUGHPHQWV «OHFWULTXHV

- <WDEOLVVH] OHV UDFFRUGHPHQWV «OHFWULTXH U«JOHPHQWDWLRQV HW QRUPHV ORFDOHV HW QD
- /HV UDFFRUGHPHQWV «OHFWULTXHV GRLYHQW LF KRUV WHQVLRQ SDU XQ SURIHVVLRQQHO TXDOL
- /D FKDXGL<sup>a</sup>UH HVW HQWL<sup>a</sup>UHPHQW SU« F«EO«H UDFFRUGHPHQWV LQWHUQH V GX WDEOHDX GH FR
- 7RXMRXUV UDFFRUGHU OD FKDXGL<sup>a</sup>UH ç XQH LQV ç OD WHUHH FRQIRUPH
- /HV SUHVFULSWLRQV GHV U«JOHPHQWDWLRQV J« LQVWDOODWLRQV «OHFWULTXHV \$5(, >\*HQHUDO ,QVWDOODWLRQV@
- /H F«EODJH GRLW -WUH FRQIRUPH DX[ LQVWUXF VFK«PDV «OHFWULTXHV
- 6XLYUH OHV UHFRPPDQGDLRQV GX SU«VHQW PD
- 6«SDUHU OHV F«EOHV GH VRQGH GHV F«EOHV

([LJHQFHV FRQFHUQDQW OH V\W<sup>a</sup>PH G «YDFXDWLRQ GHV IXP«

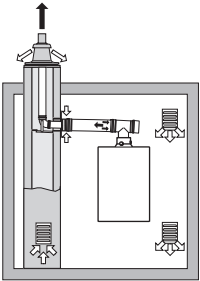
&ODVVLILFDWLRQ



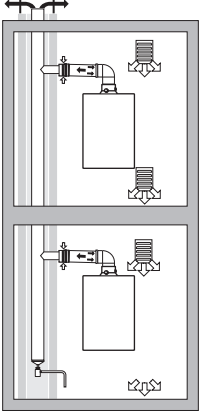
,PSRUWDQW

- & HVW ç O LQVWDOODWHXU TX LO LQFRPEH O V\W<sup>a</sup>PH G «YDFXDWLRQ GHV IXP«HV HVW OH HW OD ORQJXXHU VRQW FRUHFVW
- 7RXMRXUV XWLQVHU GHV PDW«ULDX[ GH UD GH WRLW HW GHV SDVVDJHV GH PXUV H[W«U IDEULFDQW &RQVXOWHU OH IDEULFDQW SRX

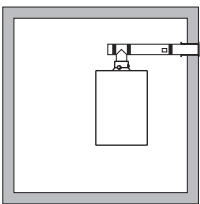
7DE 7\SH GH UDFFRUGHPHQW GHV IXP«HV

3ULQFLSH	'«VLJQDWLRQ	)DEULFDQWV DXWRULV«V
 <p>AD-3000924-01</p>	<p>9HUVLRQ RXYHUWH</p> <ul style="list-style-type: none"> <li>• 6DQV FRXSH WLUDJH DQWLUIRXOHXU</li> <li>• &lt;YDFXDWLRQ GHV IXP«HV SDU OH WRLW</li> <li>• \$LU SULV GDQV OH ORFDO G LQVWDO</li> <li>• / LQG,OH OD FKDXGL<sup>a</sup>UH HVW U«GXLV</li> </ul>	<p>ODW«ULDX GH UDFFRUGH SDVVDJH GH WRLW</p> <ul style="list-style-type: none"> <li>• W% XUJHUKRXW</li> <li>• &amp;RQVXOWHU</li> <li>• XHOLQN *URO</li> <li>• 3RXMRXODW</li> <li>• 8EELQN</li> </ul>
<p>/H PDW«ULDX GRLW DXVVL VDWLVIDLUH DX[ H[LJHQFHV UHODWLYHV DX[ SURSUL«W«V G</p>		

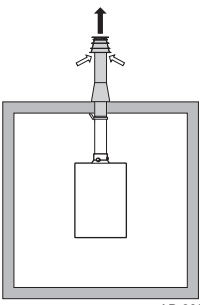
7DE 7\SH GH UDFFRUGHPHQW GHV IXP«HV

3ULQFLSH	'«VLJQDWLRQ	)DEULFDQWV DXWRULV«V
 <p>AD-3000925-01</p>	<p>9HUVLRQ RXYHUWH</p> <ul style="list-style-type: none"> <li>• 6DQV FRXSH WLUDJH DQWLUHIRXOHXU</li> <li>• ‹YDFXDWLRQ FRPPXQH GHV IXP«HV SDUOH *WRDWDYHF WLUDJH UHO JDUDQWL G«SUHVVLQRQ FRQVWDQW OH UFRQGXLW G GHV IXP«HV</li> <li>• ‹YDFXDWLRQ GHV IXP«HV DYHF O DLU FRQVWUXFWLRQ VS«FLILTXH</li> <li>• / LQG, BFGH OD FKDXGL<sup>a</sup>U, B HVW U«GXLW</li> </ul>	<p>0DW«ULDX GH UDFFRUGH</p> <ul style="list-style-type: none"> <li>• %XUJHUKRXW</li> <li>• 3RXMRXODW</li> <li>• 8EELQN</li> </ul>
/H PDW«ULDX GRLW DXVVL VDWLVIDLUH DX[ H[LJHQFHV UHODWLYHV DX[ SURSUL«W«V G		

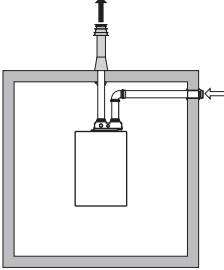
7DE 7\SH GH UDFFRUGHPHQW GHV IXP«HV

3ULQFLSH	'«VLJQDWLRQ	)DEULFDQWV DXWRULV«V
 <p>AD-3000926-01</p>	<p>9HUVLRQ «WDQFKH</p> <ul style="list-style-type: none"> <li>• ‹YDFXDWLRQ SDU OH PXU H[W«ULHXU</li> <li>• / RXYHUWXUH GH O DUULY«H G DLU HVW«GXLW ODEPQ«RHDYHF VLRQ TXH O «YDFXDWLRQ SDU H[ SDVWDJLGH GFRQDJEV UFRPEGDQV OH PXU H[W«ULHXU</li> <li>• (Q SDUDOO<sup>a</sup>OH QRQ DXWRULV«</li> </ul>	<p>3DVVDJH GH PXU H[W«ULI</p> <p>PDW«ULDX GH UDFFRUGH</p> <ul style="list-style-type: none"> <li>• %XUJHUKRXW</li> <li>• 5HPHK«RPELQ« DYHF PDW«ULDX GH UDFFRUGH</li> <li>• 0XHOLQN *URO</li> <li>• %XUJHUKRXW</li> <li>• &amp;R[ *HHOHQ</li> <li>• 0XHOLQN *URO</li> </ul>
/H PDW«ULDX GRLW DXVVL VDWLVIDLUH DX[ H[LJHQFHV UHODWLYHV DX[ SURSUL«W«V G		

7DE 7\SH GH UDFFRUGHPHQW GHV IXP«HV

3ULQFLSH	'«VLJQDWLRQ	)DEULFDQWV DXWRULV«V
 <p>AD-3000927-01</p>	<p>9HUVLRQ «WDQFKH</p> <ul style="list-style-type: none"> <li>• ‹YDFXDWLRQ GHV IXP«HV SDU OH WRLW</li> <li>• / RXYHUWXUH GH O DUULY«H G DLU HVW«GXLW ODEPQ«RHDYHF VLRQ TXH O «YDFXDWLRQ SDU H[ SDVWDJLGH GFRQDJEV UFRPEGDQV OH WRLW</li> </ul>	<p>3DVVDJH GH WRLW HW PD</p> <p>UDFFRUGHPHQW</p> <ul style="list-style-type: none"> <li>• 0XHOLQN *URO</li> <li>• 3RXMRXODW</li> <li>• 8EELQN</li> </ul>
/H PDW«ULDX GRLW DXVVL VDWLVIDLUH DX[ H[LJHQFHV UHODWLYHV DX[ SURSUL«W«V G		

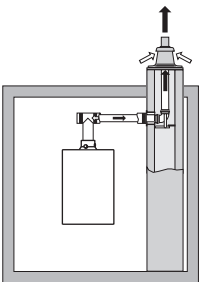
7DE 7\SH GH UDFFRUGHPHQW GHV IXP«HV

3ULQFLSH	'«VLJQDWLRQ	)DEULFDQWV DXWRULV«V
 <p>AD-3000929-02</p>	<p>5DFFRUGHPHQW GDQV GLII«UHQWHV JRQDW«GHLSXJHVUDDFRUGH</p> <ul style="list-style-type: none"> <li>• \$SSDUHLO «WDQFKH</li> <li>• &amp;RQGXLW G DUULY«H G DLU V«SDU«</li> <li>• &amp;RQGXLW G «YDFXDWLRQ GHV IXP«HV</li> <li>• ‹YDFXDWLRQ GDQV GLII«UHQWHV JRQDW«GHLSXJHVUDDFRUGH</li> <li>• / DUULY«H G DLU HW O «YDFXDWLRQ GBRXMR«ODW H GRLYHQW</li> </ul> <p>SODF«HV VXU GHV PXUV VH IDLVDQW IDFEELQN</p>	<p>QDW«GHLSXJHVUDDFRUGH</p> <p>SDVVVDJH GH WRLW</p> <ul style="list-style-type: none"> <li>• %XUJHUKRXW</li> <li>• &amp;R[ *HHOHQ</li> <li>• FRX«HLOWNH[LVDQW</li> <li>• RLRXMRXODW</li> <li>• VHEWQRXYH GDQV OD P-</li> </ul>
/H PDW«ULDX GRLW DXVVL VDWLVIDLUH DX[ H[LJHQFHV UHODWLYHV DX[ SURSUL«W«V G		

7DE 7\SH GH UDFFRUGHPHQW GHV IXP«HV

3ULQFLSH	'«VLJQDWLRQ	)DEULFDQWV DXWRULV«V
	<p>/H IDEULFDQW IRXUQLW FH W\SH G DSSURUHLGHVDDVFR«OHFWLRQ</p> <p>QL G «YDFXDWLRQ GHV IXP«HV</p>	<p>ULDX SUL<sup>a</sup>UH GH QRWHU</p> <p>VXLYDQWV</p> <ul style="list-style-type: none"> <li>• / HDX FRQGHQV«H GRLW QHU c OD FKDXGL<sup>a</sup>UH</li> <li>• /H PDW«ULDX GRLW U«V WHPS«UDWXUH GHV IXP OD FKDXGL<sup>a</sup>UH</li> <li>• 5HFLUFXODWLRQ PD[LPD PLVVLEOH GH</li> <li>• / DUULY«H G DLU HW O GHV IXP«HV QH GRLYHQ -WUH SODF«HV VXU GHV IDLVDQW IDFH</li> <li>• /D G«SUHVVLQR PLQLPD PLVVLEOH HQWUH O DUL HW O «YDFXDWLRQ GHV HWV GH 3D LQFOXD SUHVVLQR GX YHQW GH 3D</li> </ul>
/H PDW«ULDX GRLW DXVVL VDWLVIDLUH DX[ H[LJHQFHV UHODWLYHV DX[ SURSUL«W«V G		

7DE 7\SH GH UDFFRUGHPHQW GHV IXP«HV

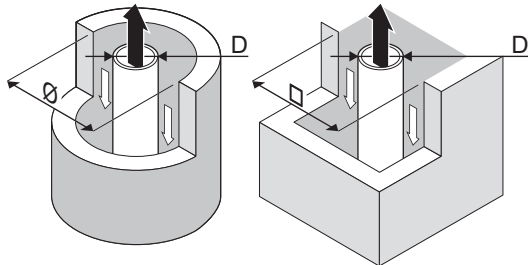
3ULQFLSH	'«VLJQDWLRQ	)DEULFDQWV DXWRULV«V
 <p>AD-3000931-01</p>	<p>9HUVLRQ «WDQFKH</p> <ul style="list-style-type: none"> <li>• ‹YDFXDWLRQ GHV IXP«HV HW DUULY«H G DLU GDQV XQH JDLQH</li> <li>FRQGXLW</li> <li>- &amp;RQFHQWULTXH</li> <li>- \$UULY«H G DLU HQ SURYHQDQFH GX</li> <li>- ‹YDFXDWLRQ GHV IXP«HV SDU OH WRLW</li> <li>- /H G«ERXFK« SRXU O DUULY«H G DLU VHEWQRXYH GDQV OD P-</li> <li>QH GH SUHVVLQR TXH O «YDFXDWLRQ</li> </ul>	<p>ODW«ULDX GH UDFFRUGH</p> <p>SDVVVDJH GH WRLW</p> <ul style="list-style-type: none"> <li>• %XUJHUKRXW</li> <li>• &amp;R[ *HHOHQ</li> <li>• FRX«HLOWNH[LVDQW</li> <li>• RLRXMRXODW</li> <li>• VHEWQRXYH GDQV OD P-</li> </ul>
<p>&amp;RQVXOWHU OH WDEOHDX SRXU OHV H[LJHQFHV FRQFHUQDQW OH FRQGXLW RX OD JDLQ</p> <p>/H PDW«ULDX GRLW DXVVL VDWLVIDLUH DX[ H[LJHQFHV UHODWLYHV DX[ SURSUL«W«V G</p>		

7DE 'LPHQVLRQV PLQLPDOHV GHJDLQH RX GH FRQGXLW

9HUVLRQ	'	6DQV DUULY«H G DLU	\$YHF DUULY«H G DLU
5LJLGH	PP	š PP	' [ PP
5LJLGH	PP	š PP	' [ PP

9HUVLRQ '	6DQV DUULY«H G DLU	\$YHF DUULY«H G DLU
5LJLGH PP	š PP ' [ PP	š PP ' [ PP
&RQFHQWULTXH PP	š PP ' [ PP	š PP ' [ PP
&RQFHQWULTXH PP	š PP ' [ PP	š PP ' [ PP
&RQFHQWULTXH PP	š PP ' [ PP	

)LJ 'LPHQVLRQV PLQLPDOHV GH JDLQH RX  
GH FRQGXLW



AD-3000330-03



**,PSRUWDQW**

/H FRQGXLW GRLW -WUH FRQIRUPH DX[ H[LJH  
GHV U«JDOHPHQWDWLRQV ORFDOHV



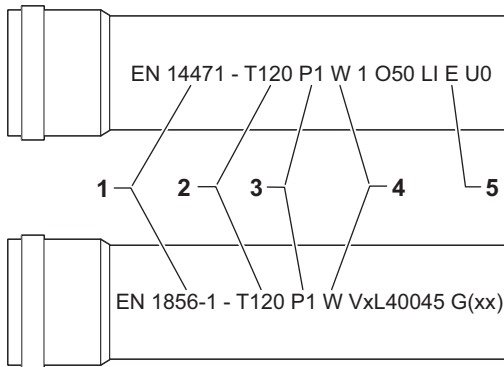
**,PSRUWDQW**

- 7RXMRXUV QHWWR\HU VRLJQH XVHPHQW OHV  
DYHF UHY-WHPHQW HW RX XQ FRQGXLW G DF
- / LQVSHFWLRQ GX FRQGXLW DYHF UHY-WHPHQW

**ODW«ULDX**

8WLQVHU OH PDUTXDJH VXU OD EXVH GH IXP«HV  
HVW DGDSW«H ç FHW DSSDUHLO

)LJ ([HPSOH GH PDUTXDJH



AD-3001120-01

(1 **RX1** : /H PDW«ULDX HVW KRPRORJX  
FRQIRUP«PHQW ç FHWWH QRUPH 3RXU OH SO  
QRUPH SRXU O DOXPLQLXP HW O DFLHU

7 /H PDW«ULDX DSSDUWLHQW ç7OD FODVVH  
QXP«UR SOXV «OHY« HVW «JDOHPHQW DXWRU  
LQI«ULHXU

3 /H PDW«ULDX DSSDUWLHQW ç+OBV FODVVH  
«JDOHPHQW DXWRULV«

: /H PDW«ULDX HVW DGDSW« ç O «YDFXDWLR

: -ZHW-Q HVW SDV' D«WRULV«

( /H PDW«ULDX DSSDUWLHQW ç OD FODVVH ( FODVVHV \$ ç ' VRQW «JDOHPHQW DXWRULV«H  
V DSSOLTXH TX DX SODVWLTXH

**!** \$YHUWLVVHPHQW

- /HV P«WKRGHV GH UDFFRUGHPHQW HW GH FR HQ IRQFWLRQ GX IDEULFDQW ,O HVW LQWHU GH UDFFRUGHPHQW HW GH FRQQ[LRQ GHV C V DSSOLTXH DXVVL DX[ SDVVDJHV GH WRLW
- /HV PDW«ULDX[ XWLOLV«V GRLYHQW -WUH F U«JOHPHQWDWLRQV HW QRUPHV HQ YLJXHXU
- 3UL<sup>a</sup>UH GH QRXV FRQWDFWHU SRXU GLVFXWH PDW«ULDX VRXSOH GH OD EXVH GH IXP«HV

7DE 3U«VHQWDWLRQ GHV SURSUL«W«V GHV PDW«ULDX[

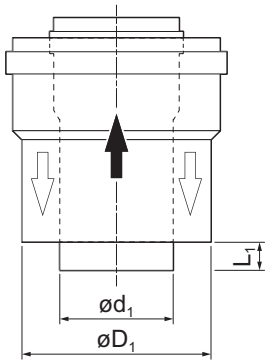
9HUVLRQ	%XVH GH IXP«HV		\$UULY«H G DLU	
	ODW«ULDX	3URSUL«W«V GH PDW«ULDX	ODW«ULDX	3URSUL«W«V GH PDW«ULDX
8QH SDURL	<ul style="list-style-type: none"> <li>• 3ODVWLTXH \$YHF PDUTXDJH &amp; (</li> <li>• \$FLHU LQRf &amp; ODV V H GH WHPS«U D R X U H 7</li> <li>• EOH RX SOXV</li> <li>• \$OXPLQLXP &amp; ODV V H GH FRQ«X H Q V D W V :</li> <li>• URL «SDLVVRLGH</li> <li>• &amp;ODVVH GH SUHVVLRQ 3 RX +</li> <li>• &amp;ODVVH GH U«VLVWDQFH DX IHX (</li> <li>• RX VXS«ULHXUH</li> </ul>		<ul style="list-style-type: none"> <li>• 3ODVWLTXH \$YHF PDUTXDJH &amp; (</li> <li>• &amp;ODV V H GH SUHVVLRQ 3</li> <li>• &amp;ODV V H GH U«VLVWDQFH RX VXS«ULHXUH</li> </ul>	
FRQIRUPH ø (1) FRQIRUPH ø (1) FRQIRUPH ø (1)				

'LPHQVLRQV GH OD FRQGXLWH GH OD E

**!** \$YHUWLVVHPHQW

/HV FRQGXLWHV UDFFRUG«HV ø O DGDSWDWHV VDVLVIDLUH DX[ H[LJHQFHV GLPHQVLRQQHO

)LJ 'LPHQVLRQV GX UDFFRUG FRQFHQWULTXH



AD-3000962-01

G 'LPHQVLRQV H[W«ULHXUHV GH OD FRQGXLWH  
' 'LPHQVLRQV H[W«ULHXUHV GH OD FRQGXLWH  
/ 'LII«UHGFH GH ORQJXHXU HQWUH OD FRQGXLWH OD FRQGXLWH G DUULY«H G DLU

7DE 'LPHQVLRQV GH OD FRQGXLWH

	G PLQ PD[	' PLQ PD[	/ PLQ PD[
PP	PP	PP	PP
PP	PP	PP	PP
5DFFRXUFLU OD FRQGXLWH LQW«ULHXUH VL OD GLIIWDQWH			

/RQJXHXUV GHV FRQGXLWV G DLU HW G

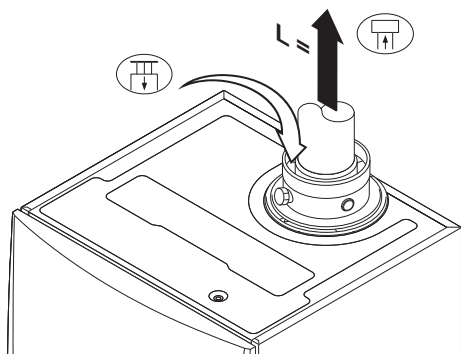
/D ORQJXHXU PD[LPDOH GHV FRQGXLWV G «YDFXD G DOLPHQWDWLRQ HQ DLU G«SHQG GX W\SH G DSSURFHUQ« SRXU FRQQD°WUH OHV ORQJXHXUV FRU

**i** ,PSRUWDQW

- /RUVTXH GHV FRXGHV VRQW XWLOLV«V OD FKHPHQW / GR LW -WUH UDFFRXUFLH FRQIU U«GXFWRQ
- 3RXU O DGDSWDWLRQ ø XQ DXWUH GLDP<sup>a</sup>WUH DSSURXY«HV
- /D FKDXGL<sup>a</sup>UH SHXW «JDOHPHQW VH UDFFRU SOXV ORQJXHV RX GH GLDP<sup>a</sup>WUHV GLII«UHQV OH WDEOHDX 1RXV FRQWDFWHU SRXU SOXV

■ 0RG<sup>a</sup>OH R%YHUW

)LJ 9HUVLRQ RXYHUWH



AD-000028-02

/ /RQJXHXU GX FRQGXLW G «YDFXDWLRQ GHV IX GH WRLW

- 5DFFRUGHPPHQW GH OD EXVH GH IXP«HV
- 5DFFRUGHPPHQW GH O DUULY«H G DLU

6XU OD YHUVLRQ RXYHUWH O RXYHUWXUH G DUULY EXVH GH IXP«HV HVW UDFFRUG«H &HOD SHUPHW O DLU FRPEXUDQW Q«FHVVDLUH GLUHFWHPHQW G

**! \$WWHQWLRQ**

- / RXYHUWXUH G DUULY«H G DLU GRLW UHVW
- /D ]RQH G LQVWDOODWLRQ GRLW -WUH «TXL G DLU Q«FHVVDLUHV &HV RXYHUWXUHV QH QL IHUP«HV

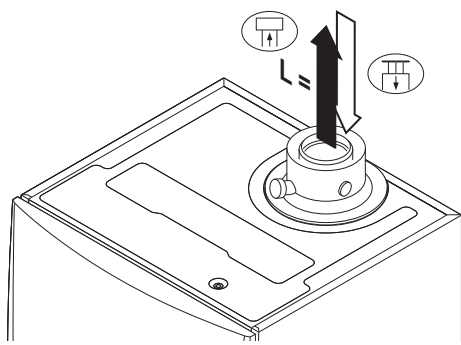
7DE /RQJXHXU PD[LPDOH /

'LDP <sup>a</sup> WUH	PP	PP	PP	PP	PP
4XLQWD \$FH	P	P	P	P	P
4XLQWD \$FH	P	P	P	P	P
4XLQWD \$FH	P	P	P	P	P
4XLQWD \$FH	P	P	P	P	P

(Q FRQVHUYDQW OD ORQJXHXU PD[LPDOH GH FKHPHQW LO HVW SRVVLEOH G XWLQV

■ 0RG<sup>a</sup>OH «WDQFKH & ; & ;

)LJ 9HUVLRQ «WDQFKH FRQFHQW 5DFFRUGHPPHQW GH OD EXVH GH IXP«HV



AD-000029-02

- 5DFFRUGHPPHQW GH O DUULY«H G DLU

6XU XQH YHUVLRQ «WDQFKH LO IDXW UDFFRUGHU IRLV O RXYHUWXUH GH OD EXVH GH IXP«HV HW FH

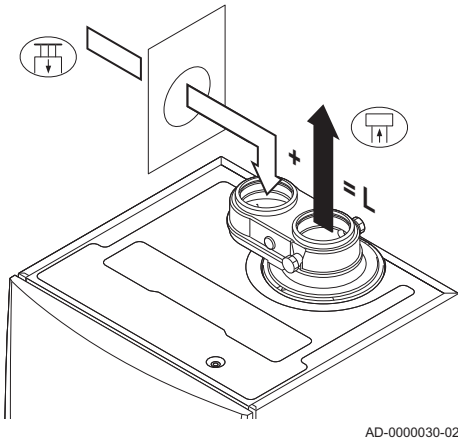
7DE /RQJXHXU PD[LPDOH GH FKHPHQW /

'LDP <sup>a</sup> WUH	PP	PP
4XLQWD \$FH	P	P
4XLQWD \$FH	P	P
4XLQWD \$FH	P	P
4XLQWD \$FH		P

(Q FRQVHUYDQW OD ORQJXHXU PD[LPDOH GH FKHPHQW GHV FRXGHV VXSSO«PHQWDLUHV [ r RX [ r

■ 5DFFRUGHPHQW GDQV GLII«UHQWHV ]RQHVV

)LJ 'LII«UHQWHV ]RQHVV GH SUHVVLRQ XHXU WRWDOH GH OD EXVH GH IXP«HV HW



- 5DFFRUGHPHQW GH OD EXVH GH IXP«HV
- 5DFFRUGHPHQW GH O DUULY«H G DLU

3RXU FH UDFFRUGHPHQW LO FRQYLHQW GH PRQW DFFHVVRULUH GH RX PP

/ DUULY«H G DLU FRPEXUDQW HW O «YDFXDWLRQ GLII«UHQWHV ]RQHVV GH SUHVVLRQ HW V\|VW<sup>a</sup>PHV V F\|WL<sup>a</sup>UH /D GLII«UHQFH PD[LPDOH GH KDXWHXU V FRPEXUDQW HW OD EXVH GH IXP«HV HWV GH P

7DE /RQJXHXU PD[LPDOH /

'LDP <sup>a</sup> WUH	PP	PP	PP	PP	PP
4XLQWD \$FH	P	P	P	P	P
4XLQWD \$FH	P	P	P	P	P
4XLQWD \$FH			P	P	P
4XLQWD \$FH			P	P	P

(Q FRQVHUYDQW OD ORQJXHXU PD[LPDOH GH FKHPHQW LO HVW SRVVLEOH G XWLQVH

■ 7DEOHDX GH U«GXFWRQ

7DE 5«GXFWRQ GX FRQGXLW SRXU FKDTXH «O«F

'LDP <sup>a</sup> WUH	PP	PP
&RXGH ç r	P	P
&RXGH ç r	P	P

7DE 5«GXFWRQ GX FRQGXLW SRXU FKDTXH «O«F

'LDP <sup>a</sup> WUH	PP	PP
&RXGH ç r	P	P
&RXGH ç r	P	P

&RQVLJQHV FRPSO«PHQWDLUHV

■ ,QVWDOODWLRQ

- 3RXU LQVWDOOHU OHV FRQGXLWV G «YDFXDWLRQ U«I«UHU DX[ LQVWUXFWLRQV GX IDEULFDQW GHV \$SU<sup>a</sup>V O LQVWDOODWLRQ Y«ULILHU O «WDQFK«L GHV IXP«HV HW GH O DLU

**! \$YHUWLVVHPHQW**  
 6L OHV FRQGXLWV G «YDFXDWLRQ GHV IXP«HV SDV LQVWDOO«V FRQIRUP«PHQW DX[ LQVWUXFWLRQV VRQW SDV «WDQFKHV VL OHV VXSSRUWV FRU SRV«V FRUHFVWHPHQW HWF LOV SHXYHQW HQWUD<sup>o</sup>QHU GHV EOHVVXUHV FRUSRUHOHV

- 6 DVVXUHU TXH O LQFOLQDLVRQ GX FRQGXLW G VXIILVDQWH DX PRLQV PP SDU P<sup>a</sup>WUH HW TXH FRQGHQVDWV HW OD ORQJXHXU G «YDFXDWLRQ V DYDQW OD VRUWLH GH OD FKDXGL<sup>a</sup>UH /HV FRXG

DQJOH VXS«ULHXU ç r SRXU JDUDQWLU OD SHQ  
GHV MRLQWV ç OªYUHV

■ &RQGHQVDWLRQ

- ,O HVW LQWHUGLW GH UHOLHU GLUHFWHPPHQW O VWUXFWXUHOV ç FDXVH GH OD FRQGHQVDWLRQ
- 6L GHV FRQGHQVDWV SURYHQDQW GH OD VHFWL HQ LQR[ SHXYHQW «YHQWXHOOPHQW UHWRXUQ GHV FRQGXLWV G «YDFXDWLRQ GHV IXP«HV FHV «YDFX«V SDU OH ELDLV G XQ FROOHFWHXU SOD
- /HV WXEHV G «YDFXDWLRQ GHV IXP«HV HQ DOXP SHXYHQW SURGXLUH GHV SURGXLWV FRUURVLV VL OHXU ORQJXHXU HVW LPSRUWDQWH 'DQV FH VLSKRQ SOXV VRXYHQW

**i** ,PSRUWDQW &RQWDFWHU OH IRXUQLVVHXU ORFDO SRXU S

4XDOLW« GH O HDX HW WUDLWHPHQW GH O HDX

/D TXDOLW« GH O HDX GX FKDXIIDJH FHQWUDO GR YDOHXUV OLPLWHV TX RQ 55 JOHW WUDLWHPHQW GH O HDX FRQVLJQHV ILJXUDQW GDQV FHV UªJOHV UHVSHFW«HV

'DQV GH QRPEUX[ FDV OD FKDXGLªUH HW O LQV -WUH UHPSOLHV DYHF GH O HDX GX URELQHW VD

'«ELW G HDX GDQV OHV DSSOLFDWLRQV GH FKDOHXU LQGXVW

'DQV OHV DSSOLFDWLRQV GH FKDOHXU LQGXVWUL GH SDVWHXULVDWLRQ HW GH V«FKDJH HW ODYDJH GHV ILQV GH FKDXIIDJH LQGXVWULHO QRQ SDV S FKDOHXU LQGXVWULHOOH OH G«ELW QRPLQDO ç FKDXIIDJH SULQFLSDO GRLW -WUH JDUDQWL /H G SHXW YDULHU

3RXU Y«ULILHU TXH F HVW ELHQ OH FDV RQ SHXV YHUURXLOOH OD FKDXGLªUH VL OH G«ELW FKXWH VXLWH G XQH G«IDLOODQFH GH SRPSH RX GH YDQ

'DQV OH FDV GH FHWWH DSSOLFDWLRQ DMXVWHU

- 5«JOHU OH SDUDPªWUH XIBDJHVXQGXVWULHO
- 5«JOHU OHV SDUDPªWUH '3 HW '3 ç OD YDO LQVWDOODWLRQ
- (Q FDV G XWLOLVDWLRQ G XQH VRQGH (&6 U«JO '3 ç OD YDOHXU UHTXLVH SRXU FHWWH LQVW

**i** ,PSRUWDQW /D GXU«H GH YLH GH OD FKDXGLªUH SHXW -W XWLOLV«H GDQV GHV DSSOLFDWLRQV GH FKDO

\$XJPHQWDWLRQ GX U«JODJH Â7 VWDQGDUG

'DQV FHUWDLQV FDV OH U«JODJH Â7 VWDQGDUG DXJPHQW« SDU H[HPSOH GDQV OHV V\WªPHV DY

- SODQFKHU FKDXIIDQW
- FKDXIIDJH GH O DLU
- FKDXIIDJH XUEDLQ
- XQH SRPSH ç FKDOHXU

7DE \$XJPHQWDWLRQ GX U«JODJH Â7 VWDQGDUG

7\SH GH FKDXGLDHH GH Â7	
4XLQWD \$FH	/H U«JODJH GH Â7 VWDQGDUG GH
4XLQWD \$FH	PHQW« MXVTX ç XQ PD[LPXP GH
4XLQWD \$FH	
4XLQWD \$FH	/H U«JODJH GH Â7 VWDQGDUG GH
	PHQW« MXVTX ç XQ PD[LPXP GH

\$XJPHQWHU OH U«JODJH GH Â73 ç O /DUGHG X SDUD  
 O DXJPHQWDWLRQ GH Â7 O XQLW« GH FRPPDQGH  
 ç XQ PD[LPXP GH r&

**i** ,PSRUWDQW

- \$YHF OH U«JODJH Â7 DXJPHQW« O RXWLO G  
 VRXV «WDW SRXU LQGLTXHU TXH OD WHPS«U  
 DFWLYH
- 6L XQH SRPSH GH FKDXIIDJH FHQWUDO ç FRP  
 FRQWU«O«H SDU O XQLW« GH FRPPDQGH GH  
 SDUDP38 UHVXU

# ,QVWDOODWLRQ

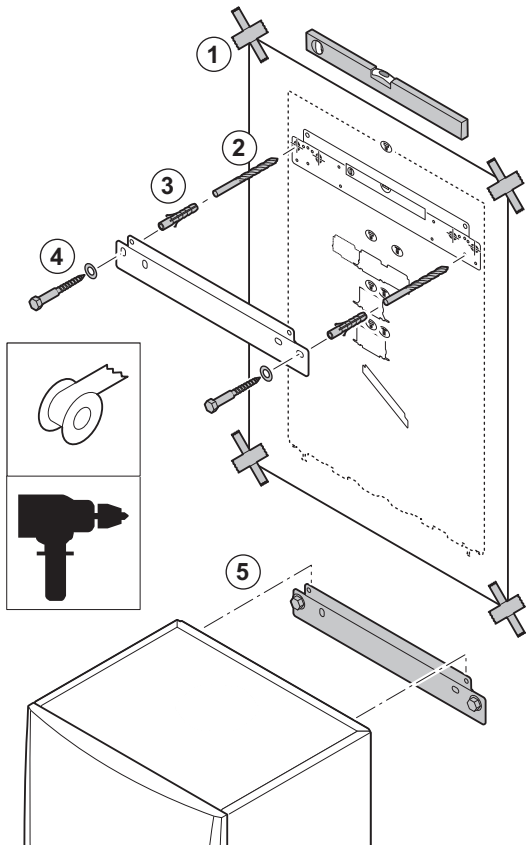
## 3RVLWLRQQHPPHQW GH OD FKDXGL<sup>a</sup>UH

)LJ 0RQWDJH GH OD FKDXGL<sup>a</sup>UH VXSSRUW GH IL[DWLRLQ DX GRV GH O KDELQDQJ

FKDXGL<sup>a</sup>UH GLUHFWHPPHQW DX UDLO GH PRQWDJH

/D FKDXGL<sup>a</sup>UH HVW OLYU«H DYHF XQ JDEDULW GH

)L[HU OH JDEDULW GH PRQWDJH GH OD FKDXGL<sup>a</sup>UH  
DGK«VLI



AD-0000018-02

### ! \$YHUWLVVHPPHQW

- 8WLQLVHU XQ QLYHDX SRXU Y«ULILHU TXH O SDUIDLWHPHQW KRUL]RQWDO

- 3URW«JHU OD FKDXGL<sup>a</sup>UH FRQWUH OD SRXVV OHV SRLQWV GH UDFFRUGHPHQW GHV EXVHV G DLU /HV G«FRXYULU XQLTXHPHQW SRXU S UDFFRUGHPHQWV FRUUHVSRQGQWV

3HUFHU WURXV GH PP GH GLDP<sup>a</sup>WUH

### i ,PSRUWDQW

/HV WURXV GH IL[DWLRLQ VXSSO«PHQWDLUHV V VXVSHQVLRQ VRQW SU«YXV DX FDU R» O XQ G Q HVW SDV DGDSW« ¢ OD IL[DWLRLQ FRUUHFWH

,QV«UHU OHVFKHYLOOHV GH PP GH GLDP<sup>a</sup>WUH 5HWLUHU OH JDEDULW GH PRQWDJH

)L[HU OH UDLO GH PRQWDJH DX PXU DYHF OHV GLDP<sup>a</sup>WUH

0RQWHU OD FKDXGL<sup>a</sup>UH VXU OH VXSSRUW GH V

## 5LQ©DJH GH O LQVWDOODWLRQ

\$YDQW GH UDFFRUGHU XQH QRXYHOOH FKDXGL<sup>a</sup>UH QRXYHOOH O LQVWDOODWLRQ GRLW -WUH LQW«J ULQF«H &HWWH RS«UDWLRLQ HVW IRQGDPHQWDOH U«VLGXV OL«V ¢ O LQVWDOODWLRQ U«VLGXV GH VDOHW«V DFFXPXO«HV YDVH ERXH HWF

### i ,PSRUWDQW

• 5LQFHU OH FLUFXLW GH FKDXIIDJH DYHF XQ ¢ DX PRLQV WURLV IRLV OH YROXPH GH O LQ

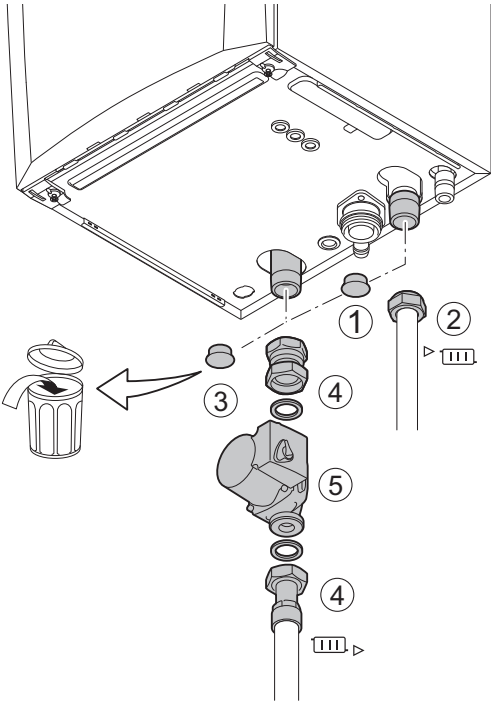
• 5LQFHU OHV WX\DX] (&6 DYHF DX PRLQV IR

### 5DFFRUGHU OH FLUFXLW GH FKDXIIDJH

)LJ

5DFFRUGHPHQW GX G«SDUW HW GX  
UHWRXU GX FKDXIIDJH FHQWUDO

5HWLUHU OH ERXFKRQ GH SURWHFWL 111 GX UDF  
VLWX« VRXV OD FKDXGL<sup>a</sup>UH  
5DFFRUGHU OH FRQGXLW GH VRUWLH HDX GH F  
GX FLUFXLW FKDXIIDJH  
5HWLUHU OH ERXFKRQ GH SURWHFWL 111 GX UDF  
VLWX« VRXV OD FKDXGL<sup>a</sup>UH  
5DFFRUGHU OH FRQGXLW G HQWU«H HDX GH FK  
GX FLUFXLW FKDXIIDJH  
ORQWHU OD SRPSH GH FLUFXODWLRQ VXU OH F  
FHQWUDO



3RXU GH SOXV DPSOHV LQIRUPDWLRQV YRLU  
5DFFRUGHPHQW GH OD SRPSH 3:0 SDJH  
5DFFRUGHPHQW GH OD SRPSH VWDQGDUG SD

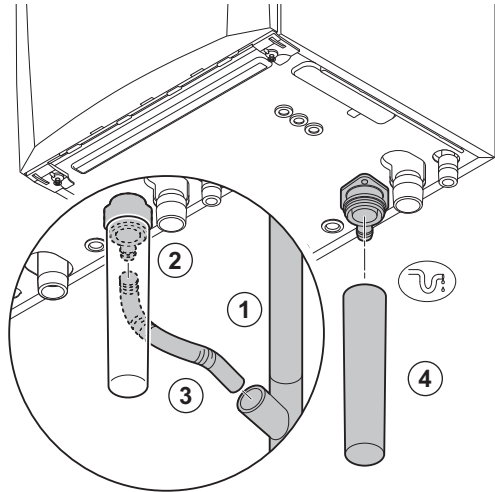
AD-4100110-01

### 5DFFRUGHPHQW GX FRQGXLW G «YDFXDWLRQ GHV FRQGHQVDW

)LJ

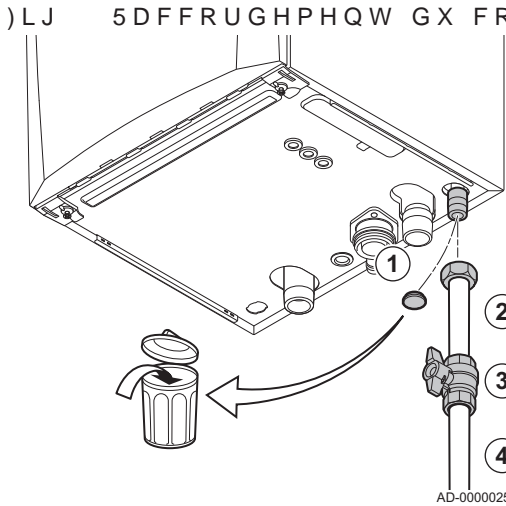
5DFFRUGHPHQW GX FRQGXLW  
G «YDFXDWLRQ GHV FRQGHQVDW

ORQWHU XQ FRQGXLW G «YDFXDWLRQ HQ SODVV  
PLQLXP TXL VH WHUPLQH GDQV XQH ERXFKH  
,QV«UHU OH IOH[LEOH YLGDQJH GHV FRQGHQVD  
ORQWHU XQ FRXSH RGXU RX XQ VLSKRQ GDQV  
ORQWHU OH VLSKRQ



AD-0000024-02

### 5DFFRUGHPHQW JD]

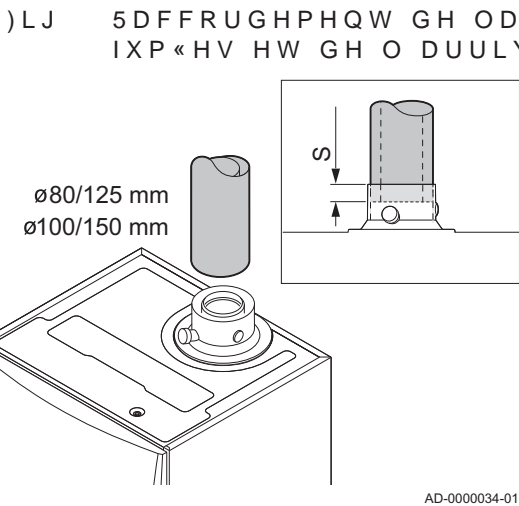


#### ,PSRUWDQW

/D YDQQH JD] GRLW WRXMRXUV -WUH DFFHVVI

### 5DFFRUGHPHQW GH OD IXPLVWHULH

### 5DFFRUGHPHQW GH OD EXVH GH IXP«HV



#### \$WWHQWLRQ

- /HV FRQGXLWV QH GRLYHQW SDV UHSRVHU V
- ,QFOLQHU OHV SDUWLHV KRUL]RQWDOHV YHU SHQWH GH PP SDU P<sup>a</sup>WUH

### 5DFFRUGHPHQWV «OHFWULTXH

### 8QLW« GH FRPPDQGH

/H WDEOHDX VXLYDQW GRQQH GHV YDOHXUV LPSRUWDFFRUGHPHQW GH O XQLW« GH FRPPDQGH

7DE 9DOHXUV SRXU OH UDFFRUGHPHQW GH O XQLW«

7HQVLRQ G DOLPHQWDWLRQ	9 F D	+
9DOHXU GX IXVLEOH SULQFLSDO )	\$7 9 F D	
9HQWLQDWHXU	9 F D	



'DQJHU G «OHFWURFXWLRQ

/HV FRPSRVDQWV VXLYDQWV GH OD FKDXGL<sup>a</sup>U  
DOLPHQWDWLRQ GH 9

- 5DFFRUGHPHQW «OHFWULTXH ç OD SRPSH GH
- 5DFFRUGHPHQW «OHFWULTXH DX EORF YDQQ
- 5DFFRUGHPHQW «OHFWULTXH DX YHQWLQDW
- 8QLW« GH FRPPDQGH
- 7UDQVIRUPDWHXU G DOOXPDJH
- 5DFFRUGHPHQW GX F<sup>a</sup>EOH G DOLPHQWDWLRQ

/D FKDXGL<sup>a</sup>UH HVW «TXLS«H G XQH ILFKH DYHF SU  
FRUGRQ GH P DGDSW«H ç XQH DOLPHQWDWLRQ  
SKDVH QHXWUH WHUUH /D FKDXGL<sup>a</sup>UH Q HVW SDV  
G DOLPHQWDWLRQ HVW U;DFBRUIXV LEXORRQHUJFWKD  
WURXYH GDQV OH ORJHPHQW GH O XQLW« GH FRP



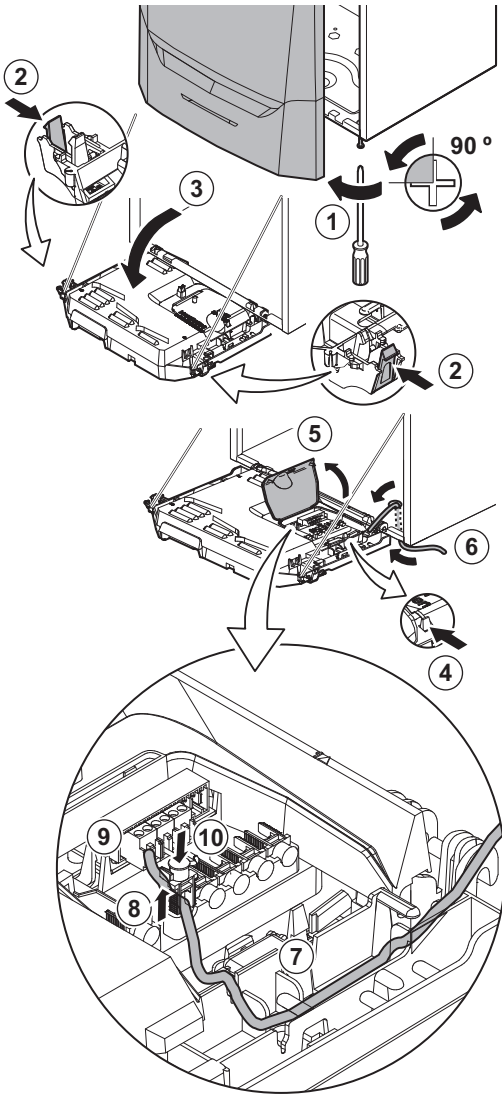
\$WWHQWLRQ

- &RPPDQGHU WRXMRXUV OH FRUGRQ «OHFWU  
DXSU<sup>a</sup>W HPHKD F<sup>a</sup>EOH G DOLPHQWDWLRQ GR  
-WUH UHP SOHPH«FXD SDU XQ LQVWDOODWHXU  
5HPHKD
- /D SULVH GH OD FKDXGL<sup>a</sup>UH GRLW WRXMRXUV

/D FKDXGL<sup>a</sup>UH GLVSRVH GH SOXVLHXUV RSWLRQV  
FRQWUOH GH SURWHFWLRQ HW GH U«JXODWLRQ  
SHXYHQW -WUH LQVWDOO«HV HQ FRPSO«PHQW GH

### \$FF<sup>a</sup>V DX[ FRQQHFWHXUV

)LJ \$FF<sup>a</sup>V DX[ FRQQHFWHXUV 9RLFL OHV FRPSRVVDQWV LQFOXV GDQV OH FRIIUH



AD-400065-01

- OD FDUWH «OHFWURQLTXH FVRODQGHFWHXU
- OD FDUWH «OHFWURQLTXH FVRODQGHFWHXU

'LYHUV WKHUPRVWDWV HW U«JXODWHXUV SHXYHQ

### \$FF<sup>a</sup>V DX[ FRQQHFWHXUV

'HVVHUUHU G XQ TXDUW GH WRXU OHV GHX[ YL  
 DYDQW HW UHWLHU FHOXL FL  
 (QIRQFHU O«J<sup>a</sup>UHPHQW YHUV O LQW«ULHXU OHV  
 F<sup>a</sup>W«V GX FRIIUHW WDEOHDX GH FRPPDQGH  
 %DVFXOHU OH FRIIUHW WDEOHDX GH FRPPDQGH  
 (QIRQFHU O«J<sup>a</sup>UHPHQW YHUV O LQW«ULHXU OH  
 GX YROHW GX FRIIUHW WDEOHDX GH FRPPDQGH  
 2XYULU OH YROHW GX FRIIUHW WDEOHDX GH FR  
 ⇒ /H FRQQHFWHXUOD FDUWH &% HFWURQLTXH  
 DFFHVVLEOH  
 2XYULU OH FRIIUHW WDEOHDX GH FRPPDQGH H  
 IL[DWLRQ O DLGH G XQ WRXUQHLYV  
 ⇒ /HV FRQQHFWHXUOD FDUWH, OH FVRODQGHFWHXU  
 G«VRUPDLV DFFHVVLEOHV  
 (QILOHU OHV F<sup>a</sup>EOHV GX U«JXODWHXU RX GX W  
 WXOOHV VXU OD SODTXH GH IRQG GH OD FKDXG  
 (QILOHU OH V F<sup>a</sup>EOH V GH FRQQH[LRQ DSSURS  
 GH FRPPDQGH YLD OH V FRQGXLW V GH F<sup>a</sup>EOH  
 'HVVHUUHU OH RX OHV VHUUH F<sup>a</sup>EOH HW SDVVH  
 GHVVRXV  
 5DFFRUGHU OHV F<sup>a</sup>EOHV DX[ ERUQHV DSSURS  
 )HUPHU VRLJQH XVHPHQW OH RX OHV VHUUH F<sup>a</sup>  
 )HUPHU OH FRIIUHW WDEOHDX GH FRPPDQGH

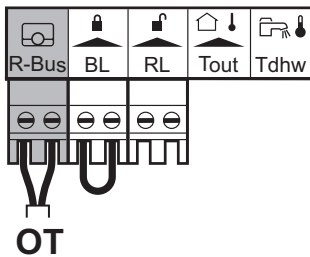
### 2SWLRQV GH UDFFRUGHPHQW GH OD FDUWH VWDQGDUG

#### ■ \*«Q«UDOLW«V

'LII«UHQWV WKHUPRVWDWV HW U«JXODWHXUV SHXYHQ  
«OHFWURQLTXH VWDQGDUG

#### ■ 5DFFRUGHPHQW G XQ WKHUPRVWDWV PRGXODQW

)LJ 5DFFRUGHPHQW G XQ WKHUPRVWDWV PRGXODQW



AD-4100101-02

UDFFRUGHPHQW HVW «JDOHSHQW KFRUPSDWV HOPH  
 O XWLOLDVWHXU GH UDFFRUGHPHQW KFRUPSDWV HOPH  
 TXH 6HQV GHV WKHUPRVWDWV WZLVWQV SH«TXHU  
 GHV U«JODJHV VXSSO«PHQWDLUHV VXU O DSSUR  
 «JDOHPHQW OH PRQW 2SHQ7KFRUPSDWV HOPH

,QVWDOOHU OH WKHUPRVWDWV G DPELDQFH GDQ  
 %UDQFKHU OH F<sup>a</sup>EOH O GHX[ ILO 5 %XQWKHUPRV  
 FRQQHFWHXU /H VHQV GH FRQQH[LRQ GHV ILOV  
 G LPSRUWDQFH



**,PSRUWDQW**

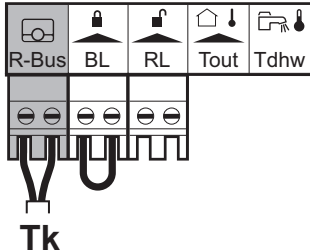
6L OD WHPS«UDWXUH GH O HDX FKDXGH VDQL WKHUPRVDWFKHOD FKDXGL<sup>a</sup>UH IRXUQLW DORUV WHPS«UDWXUH VDQV G«SDVVHU OD WHPS«UD OD FKDXGL<sup>a</sup>UH

■ **5DFFRUGHPHQW GX WKHUPRVWDW PDUFKH**

)LJ

5DFFRUGHPHQW GX WKHUPRVWDW PDUFKH DUU-W

FRVWFKHUPRVWDW GL<sup>a</sup>UH HVW FRPSDWLEOH DYHF OH UDFFRU G DPELDQFH PDUFKH DUU-W G GHX[ ILOV



AD-4100102-02

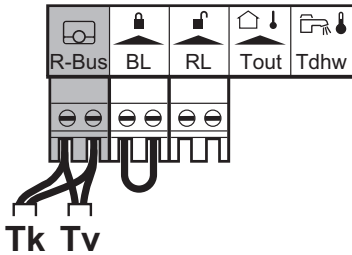
,QVWDOOHU OH WKHUPRVWDW SU«O<sup>a</sup>YHPHQW G U«I«UHQFH %UDQFKHU OH F«EOH G GHX[ ILOV %XQWKHUPRV FRQQHFVHXU /H VHQV GH FRQQH[LRQ GHV ILOV G LPSRUWDQFH

■ **3URWHFWLRQ DQWLJHO HQ FRPELQDLVRQ DUU-W**

)LJ

5DFFRUGHPHQW GX WKHUPRVWDW DQWLJHO

FRVWFKHUPRVWDW XWLOLV« HVW GX WISH PDUF OHV FRQGXLWV HW UDGLDWHXUV GDQV XQH SL<sup>a</sup>FH G XQ WKHUPRVWDW DQWLJHO /D YDQQH GX UDGL GRLW -WUH RXYHUWH



AD-4100103-02

3ODFHU XQ WKHUPRVWDW DQWLJHO VXMHWWH H[ XQ JDUDJH 5DFFRUGHU OH WKHUPRVWDW FRVWFKHUPRVWDW HQ SDUDOO<sup>a</sup>OH %XQWKHUPRV FRQQHFVHXU



**\$YHUWLVVHPHQW**

6L XQ WKHUPRVWDW XWLOLV« R SHXW SDV OXL UDFFRUGHU HQ SDUDOO<sup>a</sup>OH XQ ERUQ %XQVDQV FH FDV DVVXUHU OD SURWHFW O LQVWDOODWLRQ GH FKDXIIDJH G O DLGH G



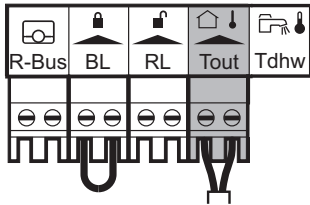
**3RXU GH SOXV DPSOHV LQIRUPDWLRQV YRLU 'RFXPHQDWLRQ FRPSO«PHQWDLUH SDJH**

■ **3URWHFWLRQ DQWLJHO DVVRFL«H G XQH V**

)LJ

5DFFRUGHPHQW G XQH VRQGH H[W«ULHXUH

QVWDOODWLRQ GH FKDXIIDJH SHXW DXVVL -WU O XWLOLVDWLRQ G XQH VRQGH H[W«ULHXUH /D Y VXMHWWH DX JHO GRLW -WUH RXYHUWH



AD-4100109-02

5DFFRUGHU OD VRQGH H[W«ULHXUH H[W«ULHXUH \$YHF XQH VRQGH H[W«ULHXUH OD SURWHFWLRQ DVXLYDQWH

- 6L OD WHPS«UDWXUH H[W«ULHXUH HVW LQI«ULHX HQ SURYHQDQFH GH OD FKDXGL<sup>a</sup>UH
- 6L OD WHPS«UDWXUH H[W«ULHXUH HVW VXS«ULHX GH FKDOHXU HQ SURYHQDQFH GH OD FKDXGL<sup>a</sup>UH

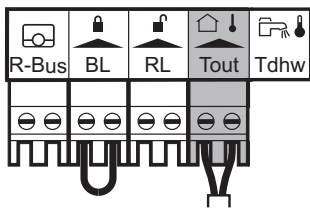


**,PSRUWDQW**

/D WHPS«UDWXUH H[W«ULHXUH G«WHUPLQDQW SURWHFWLRQ DQWLJHO SHXW -WU %3PRGLL«H FRPPH LQGLTX« FL GHVVXV OH U«JODJH XVL

)LJ

5DFFRUGHPHQW G XQH VRQGH H[W«ULHXUH



AD-4100109-02

■ 5DFFRUGHPHQW G XQH VRQGH H[W«ULHXUH

SHXW -WUH FRQVUDFC G H SWH X  
 DFFHVVRLUH 6L OD FKDXGL<sup>a</sup>UH HVW «TXLS«H G  
 U«JXODWLRQ GH OD WHPS«UDWXUH V HIIHFWXH V  
 FRXUEH GH FKDXIIH LQWHUQW SDUDP<sup>a</sup>WUHV GH U«  
 GH PRGLILHU OD FRXUEH GH FKDXIIH LQWHUQH  
 %UDQFKHU OH FRQQHFVWXU GH OD VRQGH H[W«

- 'RQQ«HV GH VRQGH H[W«ULHXUH

'LYHUVHV VRQGHV H[W«ULHXUHV SHXYHQW -WUH  
 PHQWLRQQ«HV FL GHVVVRXV RX GHV VRQGHV SU«V  
 LGHQWLTXH

- \$) 17& Ö r&
- 4\$& 17& Ö r&

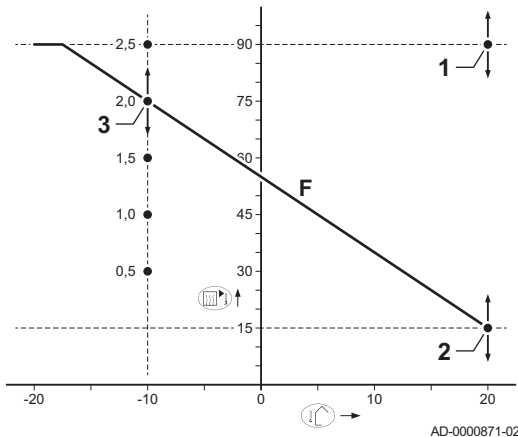
6«OHFWLRQQHU OD VRQGH H[W«ULHXUH DYHF OH

- 5«JODJH GH OD FRXUEH GH FKDXIIH

3OXVLXUV SDUDP<sup>a</sup>WUHV GH U«JODJH SHUPHWWH  
 FKDXIIH LQWHUQH

)LJ

&RXUEH GH FKDXIIH LQWHUQH



AD-0000871-02

9DOHXU GH FRQVLJQH GH OD FRXUEH GH FKDXIIH  
 G«SDUW PD[LPDOH

SDUDP<sup>a</sup>WUH &3  
 3RLQW GH EDVH GH FRQIRUW GH OD FRXUEH

SDUDP<sup>a</sup>WUH  
 3HQWH GH OD FRXUEH GH FKDXIIH  
 SDUDP<sup>a</sup>WUH

7HPS«UDWXUH H[W«ULHXUH 7RXW  
 7HPS«UDWXUH GH G«SDUW 7D

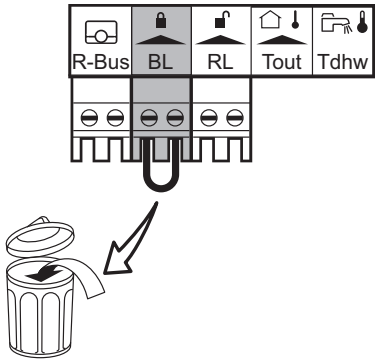
i ,PSRUWDQW

8Q U«JXODWLRQ SW«W KISUP «JDOHPHQW XWLQLVHU  
 H[W«ULHXUH 'DQV FH FDV OD FRXUEH GH FKDXIIH  
 GRLW -WUH U«JO«H VXU FH U«JXODWXXU

7DE 5«JODJHV GH OD FRXUEH GH FKDXIIH LQWHUQH

3RLQW GH EDVH IRUW r& SDUDP <sup>a</sup> WUH	HQWHVRQO SDUDP <sup>a</sup> WUH	7D r& R» 7RXW	r&
9RLU H[HPSOH GH VFK«PD /D WHPS«UDWXUH GH G«SDUW HVW F&3S«H 7D PD &3			

)LJ (QWU«H EORTXDQWH



AD-4100104-02

■ (QWU«H EORTXDQWH

/D FKDXGL<sup>a</sup>UH GLVSRVH G XQH HQWU«H GH EORFD IHUP« &HWWH HQWU«H VHWURKRXUHQHFWOHXU ERU 6L FH FRQWDFW HVW RXYHUW OD FKDXGL<sup>a</sup>UH VH 0RGLLHU OD IRQFWLRQ GH O HQWU«H GHFRQILJX SDUDP<sup>a</sup>WUH FRPSRUWH OHV RSWLRQV GH FRQILJ

- %ORFDJH FRPSOHW SDV GH SURWHFWLRQ DQWL SDV GH SURWHFWLRQ DQWLJHO GH OD FKDXGL<sup>a</sup>U OH EU<sup>1</sup>/<sub>2</sub>OHXU QH G«PDUUH SDV
- %ORFDJH SDUWLHO SURWHFWLRQ DQWLJHO GH ORUVTXH OD WHPS«UDWXUH GH O «FKDQJHXU WK G«PDUUH ORUVTXH OD WHPS«UDWXUH GH O «FKD
- 9HUURXLOODJH SDV GH SURWHFWLRQ DQWLJHO SURWHFWLRQ DQWLJHO SDUWLHOOH GH OD FKDX WHPS«UDWXUH GH O «FKDQJHXU WKHUPLTXH HVV SDV ORUVTXH OD WHPS«UDWXUH GH O «FKDQJHX



■ ,PSRUWDQW

\$YDQW WRXW UHWLUHU OH SRQW VL FHWWH I

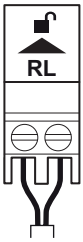


■ \$YHUWLVVHPHQW

&RQYLHQW XQLTXHPHQW DX[ FRQWDFWV VHFV

■ (QWU«H GH G«FOHQFKHPHQW

)LJ (QWU«H GH G«FOHQFKHPHQW



AD-3001303-01

QWFKDXGL<sup>a</sup>UH GLVSRVH G XQH HQWU«H GH G«FOHQ QrupDOHPHQW RXYHUW &HWWH HQWU«H VHWURKRXUHQHFWOHXU 6L FH FRQWDFW HVW IHUP« DYDQW XQH GHPDQGH EORTXH DSU<sup>a</sup>V XQ WHPSV G DWWHQWH 0RGLLHU FRQILJXUDQW SDUDP<sup>a</sup>WUH 6L FH FRQWDFW HVW IHUP« SHQGDQW XQH GHPDQ VHUD LQVWDQWDQ«PHQW EORTX«H



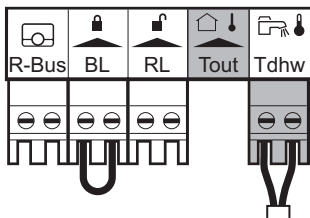
■ \$YHUWLVVHPHQW

&RQYLHQW XQLTXHPHQW DX[ FRQWDFWV VHFV

■ 5DFFRUGHPHQW VRQGH WKHUPRVWDW GX E

8QH VRQGH GH EDOORQ RX XQ WKHUPRVWDW SHX ERUC~~76KZ~~X FRQQHFWHXU

)LJ 5DFFRUGHPHQW VRQGH WKHUPRVWDW ERXFKRQ HQWUH OD VRQGH RX C EDOORQ FRQQHFWHXU



AD-4000096-01

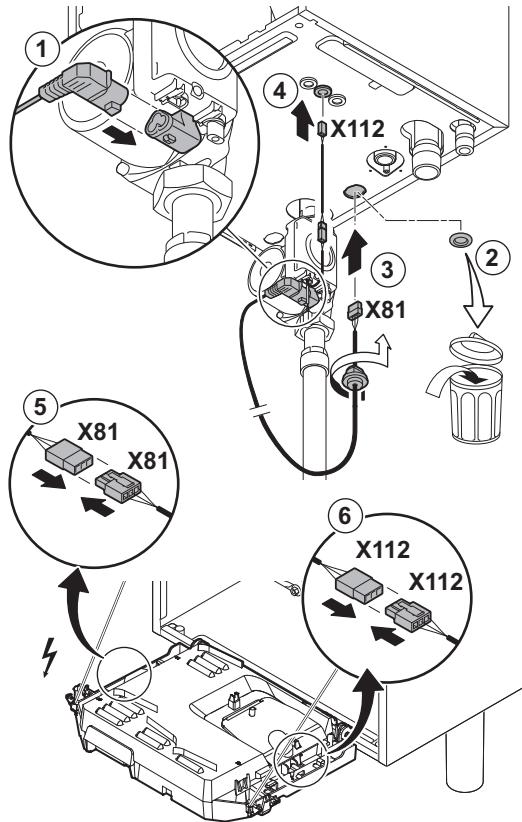
■ 'RQQ«HV GH VRQGH G HDX FKDXGH VDQLWD

'LYHUVHV VRQGHV G HDX FKDXGH VDQLWDLUH SHX VRQGH PHQWLRQQ«H FL GHVVRXV RX GHV VRQGHV FDUDFW«ULVWLTXH LGHQWLTXH

- 17 & NÖ r &

### ■ 5DFFRUGHPHQW GH OD SRPSH 3:0

)LJ 5DFFRUGHPHQW GX F#EOHD SRPSH PRGXODQWH «FR «QHUJ«WLTXH GRLW -  
G DOLPHQWDWLRQ «OHFWURFR#BQGH VWDQGDUG 3RXU FH IDLUH SURF«GHU



AD-400094-01

%UDQFKHU OH F#EOH G DOLPHQWDWLRQ HW OH SRPSH

5HWLUHU OH SDVVH ILO GH O RXYHUWXUH VLWX FKDXGL<sup>a</sup>UH

)DLUH SDVVHU OH F#EOH G DOLPHQWDWLRQ GH FKDXGL<sup>a</sup>UH HW REWXUHU O RXYHUWXUH HQ VHU VXU OH F#EOH

3DVVHU OH F#EOH 3:0 GH OD SRPSH & WUDYHUV & GURLWH GH OD EDVH GH OD FKDXGL<sup>a</sup>UH

5DFFRUGHU OH F#EOH G DOLPHQWDWLRQ ; GH ORQJH OD JDLQH GH F#EOH & JDXFKH GX FRIIUH

5DFFRUGHU OH F#EOH 3:0 ; GH OD SRPSH DX OD JDLQH GH F#EOH & GURLWH GX FRIIUHW WDE

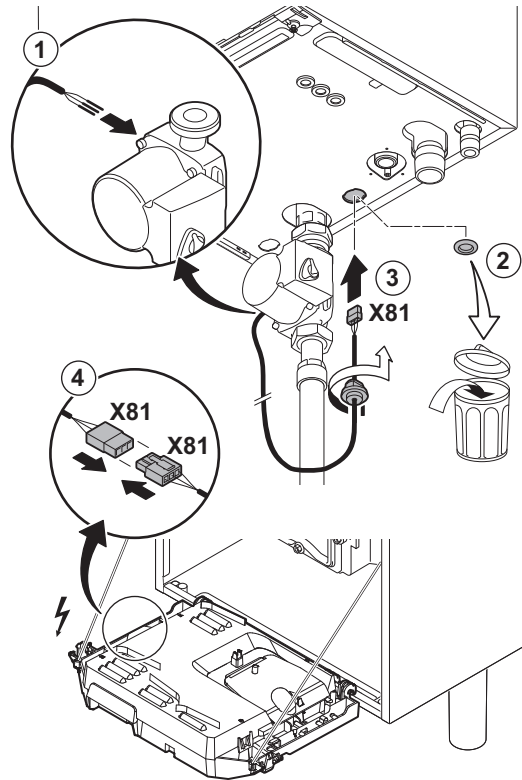


,PSRUWDQW

/HV GLII«UHQV U«JODJHV GH OD SRPSH SHX PRHQ GHV SDP<sup>a</sup>UH 3 H3

### ■ 5DFFRUGHPHQW GH OD SRPSH VWDQGDUG

)LJ 5DFFRUGHPHQW GX F#EOHD SRPSH GRLW -WUH UDFRUG«H & XQH FDUWH G  
G DOLPHQWDWLRQ «OHFWURFR#BQGH SURF«GHU FRPPH VXLW



AD-400093-01

5DFFRUGHU & OD SRPSH OH F#EOH G DOLPHQWD FKDXGL<sup>a</sup>UH

5HWLUHU OH SDVVH ILO GH O RXYHUWXUH VLWX FKDXGL<sup>a</sup>UH

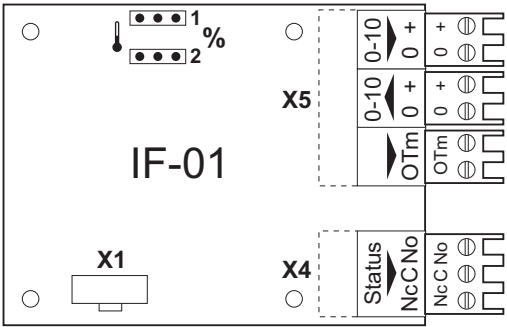
)DLUH SDVVHU OH F#EOH [ SDU OH IRQG GH O RXYHUWXUH HQ VHUUDQW OD IHUPHWXUH & E

5DFFRUGHU OH F#EOH GH SRPSH ; DX F#EOH ; F#EOH & JDXFKH GX FRIIUHW WDEOHDX GH FRPP

&DUWHV «OHFWURQLTXHV GH FRPPDQG

- 2SWLRQV GH UDFFRUGHPHQW GH OD FDUW (,)

)LJ &DUWH «OHFWURQLTXH ,)/D FDUWH «OHFWURQLTXH G H[WHQVLRQ ,) HVW FRIIUHW WDEOHDX GH FRPPDQGH



AD-000054-01

**! \$WWHQWLRQ**  
 1H SDV UDFFRUGHU GH WKHUPRVWDW DQWLJH G DPELDQFH & OD FKDXGL<sup>a</sup>UH HQ FDUW G XWLO «OHFWURQLTXH GH FRPPDQGH 9

- 5DFFRUGHPHQW GX UHODLV G «WDW 1F

/RUVTXH OD FKDXGL<sup>a</sup>UH VH YHUURXLOOH XQ UHO VLJQDO G DODUPH SHXW -WUH WUDQVPLV SDU O I SRWHQWLHO 9 \$ PD[LPH&XUFRQERW&XU UDFFRUGHPHQW

- 5DFFRUGHPHQW 27P

/LQWHUIDF SHXW&XU FRPPXQLTXHU DYHF O XQL FRPPDQGH GH OD FKDXGL<sup>a</sup>UH 27P&XU D WOD FRG UDFFRUG «H 25P&XU O XQLW « GH FRPPDQGH FKDXGL<sup>a</sup>UH

- (QWU«H DQDORJLTXH 9

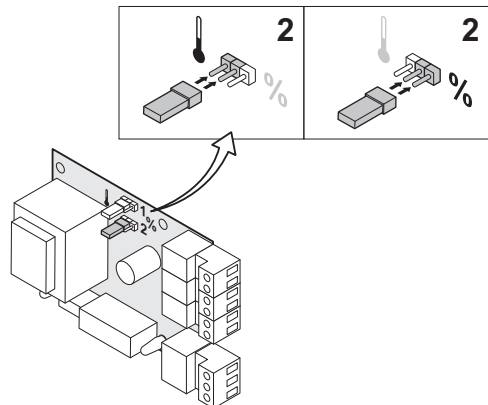
&HWWH FRPPDQGH SHUPHW GH FKRLVLU HQWUH X WHPS«UDWXUH RX GH OD SXLVVDQFH FDORULILTX H[SOLTX«HV EUL<sup>a</sup>YHPHQW FL DSU<sup>a</sup>V

5DFFRUGHU OH VLJQDO G HQWURF&XUFRQERW&XUHV

7DE 5«JXODWLRQ HQ IRQFWLRQ GH OD WHPS«UD

&DYDOLHU	6LJQDO G HQWURF&XUFRQERW&XU	WHPS«UDWXUH	XQLW F&XUFRQERW&XU
!			&KDXGL <sup>a</sup> UH «WHLQ
			+ \ VW «U «VLV
			7HPS «UDWXUH VRX KDLW «H

)LJ 5HSRVLWLRQQHPHQW GX F&XUFRQERW&XU ! 9 PRGXOH OD WHPS«UDWXUH G DOL



AD-000055-01

7DE 5«JXODWLRQ HQ IRQFWLRQ GH OD SXLVVDQFH

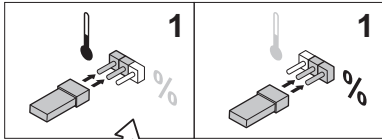
&DYDO OLHU	6LJQDO G HQ ULILTXH	VXLVVDQFH FDORULILTXH	FDORULILTXH SWLRQ
			&KDXGL <sup>a</sup> UH «WHLQ
			+ \VW «U «VLV
			3XLVVDQFH FDORULILTXH VRXKDLW «H
'«SHQG GH OD SURIRQGHXU GH PRGXODWLRQ PLQLP GDUG			

/H VLJQDO 9 PRGXOH OD SXLVVDQFH GH OD FKDXGL<sup>a</sup>UH IDLW HQ IRQFWLRQ GH OD SXLVVDQFH FDORULILTXH DX WDX[ GH PRGXODWLRQ GH OD FKDXGL<sup>a</sup>UH YDOHXUV PLQLPDOH HW PD[LPDOH VXU OD EDVH GH U«JXODWHXU

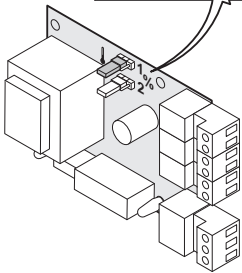
- 6RUWLH DQDORJLTXH : 9

)LJ 5HSRVLWLRQQHPPHQW GX &DYDO

WLRQ G LQIRUPDWLRQ SHUPHW GH FKRLVLU SXLVVDQFH FDORULILTXH &HV GHX[ PRGHV GH U«EUL<sup>a</sup>YHPHQW FL DSU<sup>a</sup>V



8Q FDYDOSHWVHQW VXU O LQWHUIDFH VHWV FKRLVLU SXLVVDQFH



7DE &KRL[ GH WHPS«UDWXUH

&DYDO OLHU	6LJQDO G HQ r&	VXLVVDQFH FDORULILTXH	FDORULILTXH SWLRQ
			\$ODUPH
			7HPS «UDWXUH IRXU

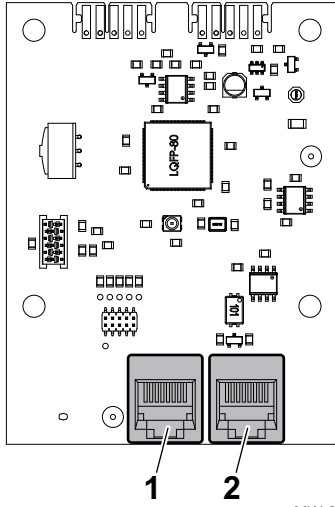
7DE &KRL[ GH SXLVVDQFH

&DYDO OLHU	6LJQDO G HQ ULILTXH	VXLVVDQFH FDORULILTXH	FDORULILTXH SWLRQ
			&KDXGL <sup>a</sup> UH «WHLQ
			\$ODUPH
			3XLVVDQFH FDORULILTXH IRXUQLH
'«SHQG GH OD SURIRQGHXU GH PRGXODWLRQ PLQLP GDUG			

AD-000056-01

■ 'HVFULSWLRQ GH OD FDUWH «OHFWURQLTXH

)LJ



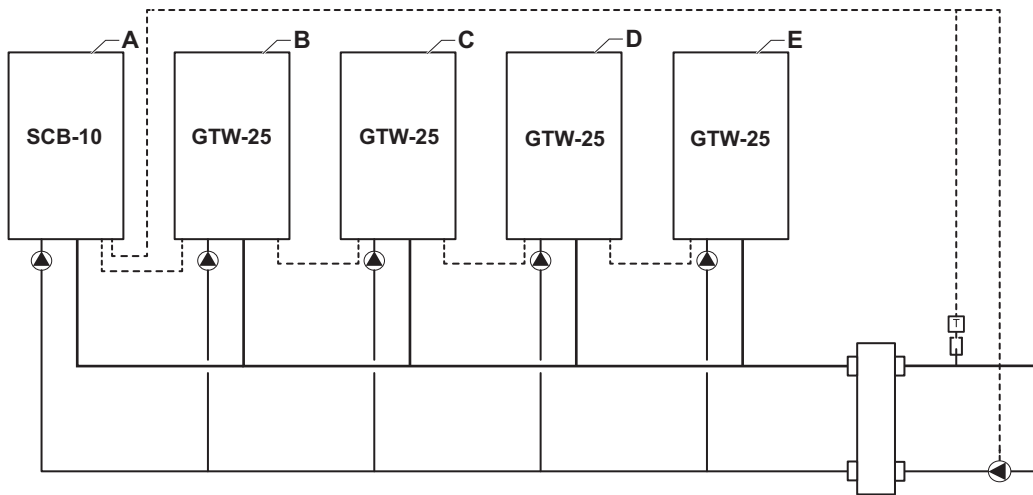
MW-2000859-01

&RQQHF6W%JXV  
&RQQHF6W%JXV

/D FDUWH SHUPHW GH UDFFRUGHU XQ DSSDUHLO  
FRQQHF6W%JXV 6\WVWDPXQH SDVVHUW%JXV  
/D FDUWH «OHFWURQLTXH «H G-XVLQH

- \*HVWLRQ FDFDGH DYHF FDUWH «OHFWURQLTXH

)LJ &RPPDQGH G XQH FDFDGH



AD-4000136-01

\$ &KDXGL<sup>a</sup>UH PD°WUH

% & ' &KDXGL<sup>a</sup>UHV HVFODYH

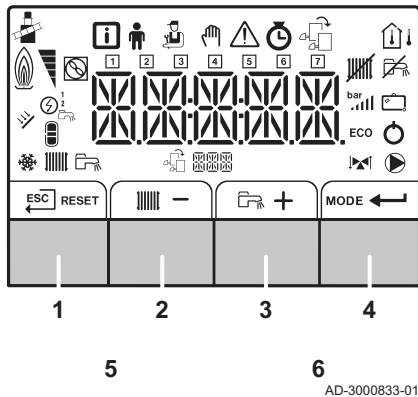
\$YHF OD6&DUVPRQW «H GDQV OD FKDXGL<sup>a</sup>UH PD°WUH  
+0, 7 FRQWUHW SRVVLEOH GH J«UHU MXVTX ç  
FDUWH «OHFWURQLTXH FDFDGH 7RXWHV OHV FKDXG  
FDFDGH VRQW UDFFRUG%JXV DSSDUHLO KQW%JXV  
FRQQHF6W%JXV GDQV OD FKDXGL<sup>a</sup>UH PD°WUH  
«OHFWURQLTXH GDQV OD RX OHV FKDXGL<sup>a</sup>UHV HVFO

# \$YDQW OD PLVH HQ VHUYLFH

## 'HVFULSWLRQ GX WDEOHDX GH FRPPDQGH

### 6LJQLILFDWLRQ GHV WRXFKHV

)LJ 7DEOHDX GH FRPPDQGH



AD-3000833-01

(VF 5HWRXU DX QLYHDX SU«F«GHQW  
 RESET 5«DUPHU 5«DUPHPHQW PDQXHO  
 7HPS«UDWXUH GH G«SDUW GH &+ \$FF<sup>a</sup>V ¢ O  
 -7RXFKH PRLQV 'LPLQXWLRQ GH OD YDOHXU  
 7HPS«UDWXP<sup>a</sup>H\$(R<sup>a</sup>F<sup>a</sup>V ¢ OD WHPS«UDWXUH G«IL  
 + 7RXFKH SOXV \$XJPHQWDWLRQ GH OD YDO  
 MODE )RQFWLRQ &+ (&6 \$FWLYH HW G«VDFWLY  
 7RXFKH (QWHU &RQILUPH OD V«OHFWLRQ  
 7RXFKHV 5D<sup>a</sup>RQH XU

,PSRUWDQW  
 \$SSX\HU VLPXOWDQ«PHQW<sup>a</sup>WXU OHV WRXF  
 7RXFKHV<sup>a</sup>HQX

,PSRUWDQW  
 \$SSX\HU VLPXOWDQ«PHQW<sup>a</sup>WXU OHV WRXF

3RXU GH SOXV DPSOHV LQIRUPDWLRQV YRLU  
 'RFXPHQWDWLRQ FRPSO«PHQWDLUH SDJH

### 6LJQLILFDWLRQ GHV V\PEROHV DIILFK«

7DE 6\PEROHV SRVVLEOHV ¢ O «FUDQ VHORQ OHV DSSDUHLOV RX IRQFWLRQV G

	/H PRGH 5DPRQH XU HVW DFWLY« SOHLQH FKDUJH RX2FKDUJH SDUWLHOOH
	0HQX ,QIRUPDWLRQ OLUH OHV GLII«UHQWHV YDOHXUV DFWXHOOHV
	0HQX 8WLLOLVDWH XU SRVVLELOLW« GH FRQILJXUHU OHV SDUDP <sup>a</sup> WUHV GH
	0HQX ,QVWDOODWH XU SRVVLELOLW« GH FRQILJXUHU OHV SDUDP <sup>a</sup> WUHV G
	0HQX PRGH PDQXHO SRVVLELOLW« GH FRQILJXUHU OH PRGH PDQXHO
	0HQX (UUHXU SRVVLELOLW« GH OLUH OHV HUUHXUV
	&RPSWH XU GHV KH XUHV 3URJUDPPDWLRQ KRUDLUH 0HQX \$IILFKDJH GH
	0HQX &DUWH GH FRPPDQGH HQ RSWLRQ SRVVLELOLW« GH OLUH OHV FD
	/D VRQGH H[W«ULHXUH HVW UDFFRUG«H
	/D VRQGH GH WHPS«UDWXUH DPELDQWH HVW UDFFRUG«H
	1LYHDX GH VRUWLH GX EU½OH XU ¢ EDUUVH FKDTXH EDUUVH UHSU«VHG
	/D SRPSH ¢ FKDOHXU HVW VRXV WHQVLRQ
	\$IILFKDJH GX MRXU
	/D IRQFWLRQ &KDXIIDJH FHQWUDO HVW G«VDFWLY«H
	/H IRQFWLRQQHPPHQW GH O (&6 HVW G«VDFWLY«
	/D FKDXGL <sup>a</sup> UH VRODLUH HVW HQ PDUFKH HW OH QLYHDX GH FKDXIHH HVW
	\$IILFKDJH GH OD SUHVVLQRQ G HDX GX V\VW <sup>a</sup> PH
	/H SURJUDPPH YDFDQFHV HVW DFWLY«
	/D SURWHFWLRQ DQWLJHO HVW DFWLY«H

	/D SURGXFWLRQ GH FKDXIIDJH DFWLY«H
	/D SURGXFWLRQ G (&6 HVW DFWLY«H
	\$IILFKDJH GH OD FDUWH «OHFWURQLTXH V«OHFWLRQQ«H
	/D YDQQH YRLHV HVW DFWLY«H
	/D SRPSH GH FLUFXODWLRQ HVW HQ PDUFKH
<b>ECO</b>	/H PRGH (&2 HVW DFWLY«
	«WHLQGUH HW UDOOXPHU O-DSSDUHLO

1DYLJDWLRQ GDQV OHV PHQXV



,PSRUWDQW

- 6HORQ OHV DSSDUHLOV RX OHV FDUWHV GH SDQQHDX GH FRPPDQGH DIILFKH GHV RSWLR FHUWDLQV PHQXV
- &RPPHQFHU SDU V«OHFWLRQQHU XQ DSSDUH FRPPDQGH RX XQH ]RQH SRXU O DIILFKHU RX U«JODJH

\$SSX\HU VXU XQH WRXFKH TXHOFRTXH SRXU D O «FUDQ GH YHLOOH



MW-3000377-02



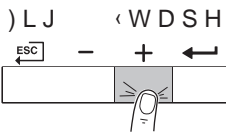
MW-3000299-01

\$FF«GHU DX[ RSWLRQV GH PHQX GLVSRQLEOHV VXU OHV GHX[ WRXFKHV GH GURLWH

7DE &KRL[ SRVVLEOHV GX PHQX

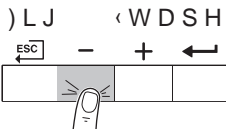
	,QIRUPDWLRQ PHQX
	0HQX 8WLOLVDWHXU
	0HQX ,QVWDOODWHXU
	0HQX 0RGH PDQXHO
	0HQX '«IDXW
	0HQX &RPSWHXUV 3URJUDPPDWLRQ +RU
	0HQX &DUWH
/LQHQ V-DIILFKH XQLTXHPHQW VL XQH FDUWH «SU«VHQWH	

\$SSX\HU VXU ~~SRXU~~ ~~SK~~ ~~SB~~ODFHU OH FXUVHXU YH



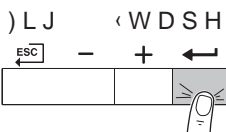
MW-3000300-02

\$SSX\HU VXU ~~SRXU~~ ~~SK~~ ~~SB~~ODFHU OH FXUVHXU YH



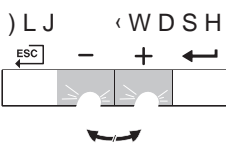
MW-3000301-02

\$SSX\HU VXU ~~SRXU~~ ~~FR~~ ~~QILUPHU~~ OD V«OHFWLRQ SDUDP<sup>a</sup>WUH UHTXLV



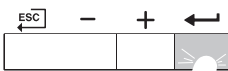
MW-3000302-01

\$SSX\HU VXU ~~SR~~ ~~V~~ ~~BR~~ ~~KH~~PRGLILHU OD YDOHXU



MW-3000303-01

)LJ <WDSH

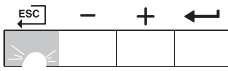


XXXXXX

MW-3000304-01

\$SSX\HU VXU ←→ S\RX\UF\K\QILUPHU OD YDOHXU

)LJ <WDSH



XXXXXX

MW-3000305-01

\$SSX\HU VXU ←→ S\RX\UF\K\HYHQLU & O-DIILFKDJH



,PSRUWDQW / «FUDQ GH YHLOOH V DIILFKH VL DXFXQH WR SHQGDQW WURLV PLQXWHV

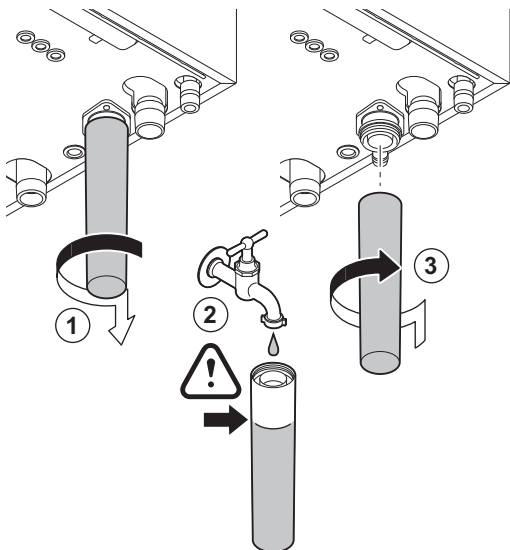
### 3RLQWV & Y«ULILHU DYDQW OD PLVH HQ VHUYLFH

#### 5HPSOLU OH VLSKRQ



'DQJHU /H VLSKRQ GRLW WRXMRXUV -WUH VXIILVDPPH TXH GHV IXP«HV Q HQUHQW GDQV OD SL<sup>a</sup>FH

)LJ 5HPSOLVVDJH GX VLSKRQ



AD-000086-01

'«PRQWHU OH VLSKRQ 5HPSOLU OH VLSKRQ G HDX 5HPRQWHU OH VLSKRQ ⇒ 9«ULILHU TXH OH VLSKRQ HVW VROLGHPHQW P IXLWHV

#### 5HPSOLU O LQVWDOODWLRQ



\$WWHQWLRQ \$YDQW OH UHPSOLVVDJH RXYULU OHV URELQ O LQVWDOODWLRQ



,PSRUWDQW 3RXU SRXYRLU OLUH OD SUHVVLQK\GUDXOLT FKDXGL<sup>a</sup>UH OD FKDXGL<sup>a</sup>UH GRLW -WUH HQ PD 5HPSOLU O LQVWDOODWLRQ DYHF GH O HDX GX



,PSRUWDQW /D SUHVVLQK\GUDXOLT TXH UHFRPPDQG«H VH EDU

9«ULILHU O «WDQFK«LW« GHV UDFFRUGHPHQW

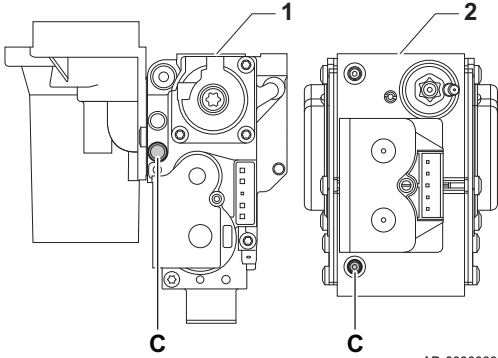
&LUFXLW JD]



\$YHUWLVVHPHQW

9RXV Q -WHV SDV DXWRULV« ¢ HIIHFWXHU GH JD] 9RXV -WHV XQLTXHPHQW DXWRULV« ¢ Y« U«JODJHV

)LJ 3RLQWV GH PHVXUH & GX EORFXLQWV \$FH  
JD] 4XLQWD \$FH



\$YHUWLVVHPHQW

- 6-DVVXUHU TXH OD FKDXGL<sup>a</sup>UH HVW KRUV W
- 6L OH W\SH GH JD] IRXUQL QH FRUUHVSRQG SRXU OD FKDXGL<sup>a</sup>UH QH SDV SURF«GHU ¢ O

2XYULU OH URELQHW JD] SULQFLSDO  
2XYULU OH URELQHW JD] GH OD FKDXGL<sup>a</sup>UH  
'HVVHUHU G XQ TXDUW GH WRXU OHV GHX[ YL  
DYDQW HW UHVLHU FHOXL FL  
OHVXUHU OD SUHVVLQR G DOLPHQWDWLRQ GH J  
EORF YDQQH JD]



\$YHUWLVVHPHQW

- /D SUHVVLQR GH JD] TXL D «W« HQUHJLVWU« GRLW -WUH FRPSULVH GDQV OHV OLPLWHV L G DOLPHQWDWLRQ GH JD] WRKQLTXHV SDJH
- 3RXU FRQQD°WUH OHV SUHVVLQRV GH JD] DX &DW«JRULHV G DSSDUHLOV SDJH

3XUJHU OH WX\DX G DOLPHQWDWLRQ HQ JD] HQ VXU OH EORF YDQQH JD]  
5HYLVVHU OD SULVH GH SUHVVLQR ORUVTXH OH SXUJ«  
9«ULILHU TXH WRXV OHV UDFFRUGV GH JD] VRQ WHVW PD[LPDOH DXWRULV«H HVW GH PEDU

&LUFXLW K\GUDXOLTXH

9«ULILH] OH VLSKRQ ,O GRLW -WUH FRPSO<sup>a</sup>WH  
9«ULILH] O «WDQFK«LW« GHV UDFFRUGHPHQWV

5DFFRUGHPHQWV «OHFWULTXH

9«ULILHU OHV UDFFRUGHPHQWV «OHFWULTXH

# 0LVH HQ VHUYLFH

## 3URF«GXUH GH PLVH HQ VHUYLFH



### \$YHUWLVVHPHQW

- 6HXO XQ LQVWDOODWHXU TXDOLIL« SHXW HI VHUYLFH
- (Q FDV G DGDSWDWLRQ ȅ XQ DXWUH W\SH GH SURSDQH OD FKDXGL<sup>a</sup>UH GRLW ȃWUH U«JO«



### 9RLU

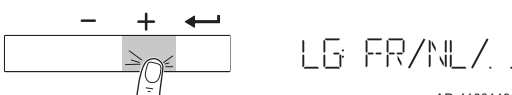
\$GDSWDWLRQ ȅ XQ DXWUH JD] SDJH

2XYULU OH URELQHW JD] SULQFLSDO  
 2XYULU OH URELQHW JD] GH OD FKDXGL<sup>a</sup>UH  
 0HWWUH OD FKDXGL<sup>a</sup>UH VRXV WHQVLRQ HQ DFW  
 DUUȃW  
 ⇒ /H SURJUDPPH GH G«PDUUDJH HVW DPRUF« HV  
 LQWHUURPSX 3HQGDQW OH SURJUDPPH WRXV  
 DSSDUDLVVHQW EUL<sup>a</sup>YHPHQW  
 , OD ILQ GX SURJUDPPH GH G«PDUUDJH O DIILF  
 LG FR )5 FOLJQRWH VXU O DIILFKDJH



AD-4100151-01

\$YHF OD ~~WRXFKH~~ OHFWLRQQHU OD ODQJXH VRXKDL



AD-4100149-01

\$SSX\HU VXU ~~WRXFKH~~ QILUPHU OD V«OHFWLRQ



AD-4100150-01

⇒ *RESET ALL* V DIILFKH  
 3RXU YDOLGHU DSSX ~~WRXFKH~~ U VXU OD WRXFKH



AD-4100148-01

/D ODQJXH V«OHFWLRQQ«H HVW PDLQWHQDQW  
 SULQFLSDO DSSDUD<sup>o</sup>W  
 5«JOHU OHV FRPSRVDQWV WKHUPRVWDWV U«J  
 OD GHPDQGH GH FKDOHXU



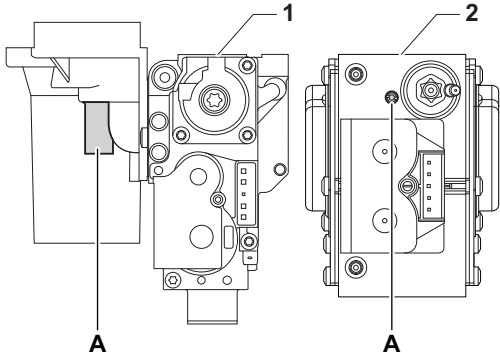
### ,PSRUWDQW

(Q FDV G HUUHXU SHQGDQW OH G«PDUUDJH X  
 FRGH FRUUVSRQGDQW V DIILFKH /D VLJQLIL  
 HVW GRQQ«H GDQV OH WDEOHDX GHV HUUHXU

5 «JODJHV JD]

\$GDSWDWLRQ & XQ DXWUH JD]

)LJ 3RVLWLRQ GH OD YLV GH U«JODJHV \$FH  
4XLQWD \$FH



AD-000067-02

/D FKDXGL<sup>a</sup>UH HVW SU«U«JO«H HQ XVLQH SRXU XQ  
QDWXUHO GH W\SH \* JD] + HW \* JD] /

7DE 5 «JODJHV G XVLQH \* JD] +

&RGH	7H[WH DIILFK«VLJQDWLRQ	3ODJH GH U«JODJH			
'3	9LW YHQW PD[ WHEVVH GH YHQWLODWUHFKLQWU PLQ (&6 PD[LPXP VXU HDX FKDXGH VDQLWDLUH				
*3	9LW YHQWLQIPWHV&H PD[ GX YHQWLODWUHFKLQWU PLQ HQ PRGH FKDXIIDJH				
*3	9LW PLQ YHQWHEVVH PLQ GX YHQWLODWUHFKLQWU PLQ HQ PRGH FKDXIIDJH HDX				
*3	9LW YHQWLQIPWHVVH GX YHQWLODWUHFKLQWU PLQ G«PDUUDJH G«PDUUDJH				

7DE 5 «JODJHV G XVLQH \* JD] /

&RGH	7H[WH DIILFK«VLJQDWLRQ	3ODJH GH U«JODJH			
'3	9LW YHQW PD[ WHEVVH GH YHQWLODWUHFKLQWU PLQ (&6 PD[LPXP VXU HDX FKDXGH VDQLWDLUH				
*3	9LW YHQWLQIPWHV&H PD[ GX YHQWLODWUHFKLQWU PLQ HQ PRGH FKDXIIDJH				
*3	9LW PLQ YHQWHEVVH PLQ GX YHQWLODWUHFKLQWU PLQ HQ PRGH FKDXIIDJH HDX				
*3	9LW YHQWLQIPWHVVH GX YHQWLODWUHFKLQWU PLQ G«PDUUDJH G«PDUUDJH				



\$YHUWLVVHPPHQW

/D FRQYHUVLRQ G XQ DSSDUHLO G XQ JD] GH  
JD] GH OD WURLVL<sup>a</sup>PH IDPLOOH HW LQYHUVHP  
9RXV -WHV XQLTXHPHQW DXWRULV« & Y«ULILH  
U«JODJHV /HV RS«UDWLRQV G«FULWHV FL GH  
HIIHFWX«HV SDU XHPWKDFKQILUFLLHQ

3RXU XWLQLVHU XQ DXWUH W\SH GH JD] SURF«GH

7DE (Q FDV GH IRQFWLRQQHPPHQW DX SURSDQH

7\SH GH FKDXWLRQ GL <sup>a</sup> UH	
4XLQWD \$FRXUQHU OD YLWVXU OH JODJH QHUVXUL GH GDQV OH VHQV GHV DLJXLOOHV G XQH	
4XLQWD \$FRXUQHU OD YLWVXU OH JODJH QHUVXUL GH GDQV OH VHQV GHV DLJXLOOHV G XQH	
4XLQWD \$FHPSODFHU OH EORF YDQQH JD] DFWX JD] SRXU SURSDQH FRQIRUP«PHQW DX IRXUQLHV DYHF OH NLW GH FRQYHUVL	
4XLQWD \$FRXUQHU OD YLWVXU OH JODJH QHUVXUL GHV D G XQH PRQWUH MXVTX & FH TX HOOH V 7RXUQHU OD YLWVXU OH JODJH QHUVXUL YDQQH J WRXUV GDQV OH VHQV LQYHUVH G PRQWUH	

5«JOHU OD YLWHVVH GH YHQWLQDWHXU VL Q«  
FRQIRUP«PHQW DX WDEOHDX FL GHVVRXV /H U  
O DLGH G XQ SDUDP<sup>a</sup>WUH

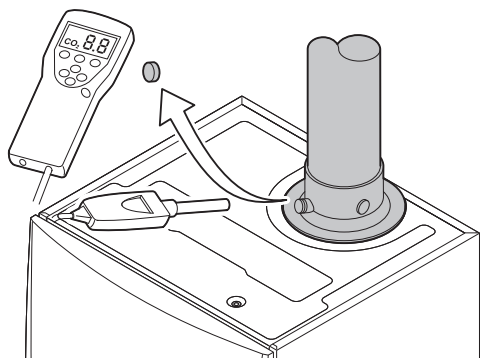
7DE 5«JODJH SRXU GX JD] GH W\SH \* \* EXWDQH SURSDQH

&RGH	7H[WH DIILFK«VLJQDWLRQ	3ODJH GH U«JODJH			
'3	9LW YHQW PD] WHEVVH GH YHQWLODWHXU QWU PLQ (&6 PD]LPXP VXU HDX FKDXGH				
*3	9LW YHQWLQ PD] WHEVVH PD] GX YHQWLODWHXU PLQ HQ PRGH FKDXIIDJH				
*3	9LW PLQ YHQWLODWHXU PD] WHEVVH PLQ GX YHQWLODWHXU PLQ HQ PRGH FKDXIIDJH HDX				
*3	9LW YHQWLQ PD] WHEVVH GX YHQWLODWHXU QWU PLQ G«PDUUDJH G«PDUUDJH				

9«ULILHU OH U«JODJH GX UDSSRUW JD] DLU

**9«ULILFDWLRQ HW U«JODJH GX UDSSRUW**

)LJ 3ULVH GH PHVXUH GHV IXP«HV «YLVVHU OH ERXFKRQ GH OD SULVH GH PHVXUH  
,QV«UHU OD VRQG GH O DQDO\VHXU GH IXP«HV



AD-000069-01

**!** \$YHUWLVVHPPHQW  
9HLOOHU & REWXUHU WRWDOHPHQW O RXYHU  
OD SULVH GH PHVXUH

**!** \$WWHQWLRQ  
/ DQDO\VHXU GH IXP«HV GRLW DYRLU XQH SU  
s 2

OHVXUHU OH SRXU GHV IXP«HV 5«DOLVHU  
PHVXUHV & SOHLQH FKDUJH HW & FKDUJH SDUW

**i** ,PSRUWDQW  
/ KDELOODJH DYDQW GRLW -WUH G«SRV« ORU

**■ \$FWLYHU OD SOHLQH FKDUJH**

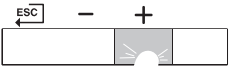
\$SSX\HU VLPXOWDQ«PHQW VXU OHV GHX[ WRXF  
V«OHFWLRQQHU OH PRGH 5DPRQH XU  
=> / DSSDUHLO IRQFWLRQQH PDLQWHQDQW & FK  
/ ;;r DSSDUDLVVH VXU O DIILFKHXU

)LJ «WDSH



MW-3000325-01

)LJ <WDSH



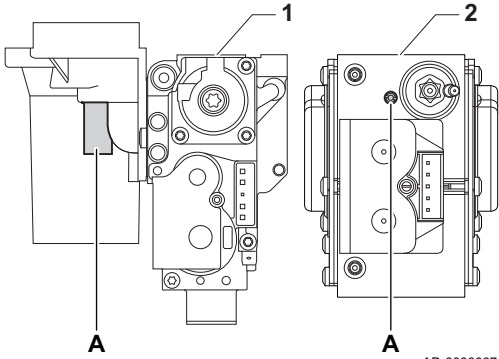
MW-3000326-01

\$SSX\HU GHX[ IRLV+XU OD WRXFKH  
 => / DSSDUHLO IRQFWLRQQH PDLQWHQDQW & SOH  
 + ;;rDSSDUDLVVH VXU O DIILFKHXU

■ 9DOHXUV GH FRQWU\OH & SOHLQH FKDUJH SRXU2\* JD] +

)LJ 3RVLWLRQ GH OD YLV GH U«JODJHV \$FH

4XLQWD \$FH



AD-0000067-02

0HVXUHU OH SRXU FHOVDQ HVGHP «HV  
 &RPSDUHU OD YDOHXU PHVXU«H DYHF OHV YDO  
 GDQV OH WDEOHDX  
 6L OD YDOHXU PHVXU«H GLII^UH GH FHOOHV LQ  
 FRUULJHU OH UDSSRUW JD] DLU



\$YHUWLVVHPHQW

/ DGDSWDWLRQ GHV FKDXGL^UHV & SDXWLU G  
 -WUH HIIHFWX«H SDU XQ LQVWDOODWHXU TXD  
 FKDXGL^UHV & SDUWLQ & %HQWIRUPH GHOEHPHQW  
 LQWHUGLWH 9RXV -WHV XQLTXHPHQW DXWRU  
 OHV U«JODJHV /HV RS«UDWLRQV G«FULWHV F  
 HIIHFWX«HV SDU 5HPWKIDF KQILUFLHQ

, O DLGH GH OD \$LVU «GHUJ JD] SRXU FHOVDQ HVGHP &  
 QRPLQDOH HQ IRQFWLRQ GX WASH GH JD] XWLC  
 -WUH FRPSULVH HQWUH OHV OLPLWHV GH SDUD  
 VXS«ULHXUH

7DE 9DOHXUV GH FRQWU\OH & SOHLQH FKDUJH SRXU2\* JD] +

9DOHXUV & SOHLQH FKDUJH SRXU2* JD] +	
4XLQWD \$FH	:
4XLQWD \$FH	:
4XLQWD \$FH	
4XLQWD \$FH	
9DOHXU QRPLQDOH	

7DE 9DOHXUV GH FRQWU\OH & SOHLQH FKDUJH SRXU2\* JD] /

9DOHXUV & SOHLQH FKDUJH SRXU2* JD] /	
4XLQWD \$FH	:
4XLQWD \$FH	:
4XLQWD \$FH	:
4XLQWD \$FH	:
9DOHXU QRPLQDOH	

7DE 9DOHXUV GH FRQWU\OH & SOHLQH FKDUJH SRXU2\* \* EXWDQH SURSDQH

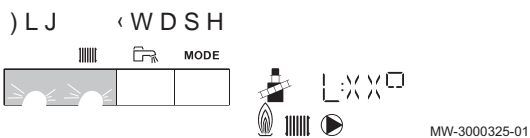
9DOHXUV & SOHLQH FKDUJH SRXU2* * %XWD	3URSDQH
4XLQWD \$FH	
4XLQWD \$FH	
4XLQWD \$FH	
4XLQWD \$FH	
9DOHXU QRPLQDOH	

**!** \$WWHQWLRQ  
 /HV YDOHXU GH SDUWLHOOH FKDUJH GRLYHQW -WUH L  
 YDOHXU GH FKDUJH SDUWLHOOH

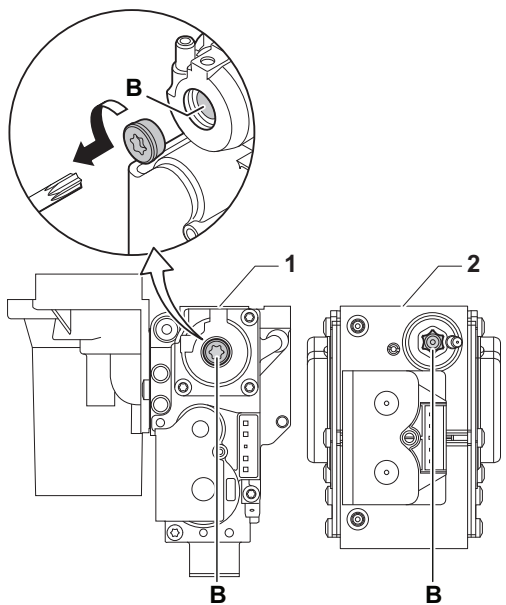
■ \$FWLYHU OD FKDUJH SDUWLHOOH

\$SSX\HU VLPXOWDQ«PHQW VXU OHV GHX[ WRXF  
 V«OHFWLRQQHU OH PRGH 5DPRQHXU  
 ⇒ / DSSDUHLO IRQFWLRQQH PDLQWHQDQW & FK  
 / ; ; r DSSDUDLVVH VXU O DIILFKHXU  
 6L YRXV VRXKDLWH] PHWWUH ILQ DX WHVW & FK  
 WRX[ESC] HSRXU UHWRXUQHU & O DIILFKDJH SULQF

■ 9DOHXUV GH FRQWU]OH & FKDUJH SDUWLHOOH



)LJ 3RVLWLRQ GH OD YLV GH U«JODJH & \$FH  
 4XLQWD \$FH



0HVXUHU OH SRXU GH QW«H VGHXP«HV  
 & RPSDUHU OD YDOHXU PHVXU«H DYHF OHV YDO  
 GDQV OH WDEOHDX  
 6L OD YDOHXU PHVXU«H GLII«UH GH FHOOHV LQ  
 FRUULJHU OH UDSSRUW JD] DLU

**!** \$YHUWLVVHPHQW  
 / DGDSWDWLRQ GHV FKDXGL«UH & SDUWLHOOH G  
 -WUH HIIHFWX«H SDU XQ LQVWDOODWHXU TXD  
 FKDXGL«UH & SDUWLHOOH & %HQWVIRPHGHODPHQW  
 LQWHUGLWH 9RXV -WHV XQLTXHPHQW DXWRU  
 OHV U«JODJH /HV RS«UDWLRQV G«FULWHV F  
 HIIHFWX«HV SDU XQ WKHU KQILUFLHQ

, O DLGH GH OD YLV GH U«JODJH SRXU & BQWYDJOH &  
 QRPLQDOH HQ IRQFWLRQ GX WISH GH JD] XWLO  
 -WUH FRPSULVH HQWUH OHV OLPLWHV GH SDUD  
 VXS«ULHXUH  
 5«JOHU & QRXYHDX OD FKDXGL«UH SRXU XQ XVD

7DE 9DOHXUV GH FRQWU]OH & FKDUJH SDUWLHOOH SRXU \* JD] +


9DOHXUV & FKDUJH SDUWLHOOH SRXU *	JD] +
4XLQWD \$FH	
4XLQWD \$FH	
4XLQWD \$FH	
4XLQWD \$FH	
9DOHXU QRPLQDOH	

7DE 9DOHXUV GH FRQWU]OH & FKDUJH SDUWLHOOH SRXU \* JD] /

9DOHXUV & FKDUJH SDUWLHOOH SRXU *	JD] /
4XLQWD \$FH	
4XLQWD \$FH	
4XLQWD \$FH	
4XLQWD \$FH	
9DOHXU QRPLQDOH	

7DE 9DOHXUV GH FRQWU\OH; HSWHGHU «FKDUJH  
\* \* EXWDQH SURSDQH


<b>9DOHXUV &amp; FKDUJH SDUWLHOH SRXU * SURSDQH</b>	
4XLQWD \$FH	
4XLQWD \$FH	
4XLQWD \$FH	
4XLQWD \$FH	
9DOHXU QRPLQDOH	

 **\$WWHQWLRQ**  
/HV YDOHXUV FKDUJH SDUWLHOH GRLYHQW -W  
YDOHXUV SOHLQH FKDUJH

)LQDOLVDWLRQ GH OD PLVH HQ VHUYLFH

5HWLUHU O «TXLSHPHQW GH PHVXUH  
9LVVHU OH ERXFKRQ GH OD SULVH GH PHVXUH  
\$VVXUHU O «WDQFK«LW« GX EORF JD]  
5HPRQWHU OH SDQQHDX DYDQW  
\$PHQUH OD WHPS«UDWXUH GH O LQVWDOODWLRQ  
(WHLQGUH OD FKDXGL<sup>a</sup>UH  
3XUJHU OH V\W<sup>a</sup>PH GH FKDXIIDJH FHQWUDO DS  
0HWWUH OD FKDXGL<sup>a</sup>UH VRXV WHQVLRQ  
&RQWU\OHU OD SUHVVLQR K\GUDXOLTXH \$X EH  
V\W<sup>a</sup>PH GH FKDXIIDJH FHQWUDO

)LJ ([HPSOH G DXWRFROODQW UHQWUHQV LQIRUPDWLRQV VXLYDQWHV VXU O

<p><b>Adjusted for / Réglée pour /</b> Ingesteld op / Eingestellt auf / Regolato per / Ajustado para / Ρυθμισμένο για / Nastawiony na / настроен для / Reglat pentru / настроен за / ayarlanmıştır / Nastavljen za / beállítva/ Nastaveno pro / Asetettu kaasulle / Justert for/ indstillet til/ ل تطبخ :</p> <p><input checked="" type="checkbox"/> Gas <u>620</u> <u>20</u> mbar</p> <p><input checked="" type="checkbox"/> C<sub>(10)3(X)</sub> <input type="checkbox"/> C<sub>(12)3(X)</sub> <input type="checkbox"/></p>	<p><b>Parameters / Paramètres /</b> Parameter / Parametri / Parámetros / Παράμετροι / Parametry / Параметры / Parametrii / Параметри / Parametreler / Paraméterek / Parametrit / Parametere / Parametre / شامل عمل :</p> <p><u>DP003 - 3300</u> <u>GP007 - 3300</u> <u>GP008 - 2150</u> <u>GP009 -</u></p> 
---	--

AD-3001124-01

VXU O DSSDUHLO SU<sup>a</sup>V GH OD SODTXH VLJQDO «  
• 1RWHU OD SUHVVLQR G DOLPHQWDWLRQ HQ JD  
• (Q FDV G LQVWDOODWLRQ HQ WDQW TX DSSOL  
OD VXUSUHVVLQR  
• 1RWHU OHV SDUDP<sup>a</sup>WUHV PRGLIL«V SRXU OHV  
([SOLTXHU OH IRQFWLRQQHPHQW GX V\W<sup>a</sup>PH O  
U«JXODWHXU & O XWLOLVDWHXU  
,QIRUPHU O XWLOLVDWHXU GHV RS«UDWLRQV G  
5HPHWWUH WRXWHV OHV QRWLFHV & O XWLOLV  
&RQILUPHU OD PLVH HQ VHUYLFH HQ DSSRVDQW  
G HQWUHSULVH  
⇒ /D FKDXGL<sup>a</sup>UH HVW G«VRUPDLV HQ «WDW GH P

# 5 « JODJHV


## ORGLILFDWLRQ GHV SDUDP<sup>a</sup>WUHV

/ XQLW « GH FRPPDQGH GH OD FKDXGL<sup>a</sup>UH HVW SD  
GH FKDXIIDJH FHQWUDO OHV SOXV FRXUDQWV &H  
IRQFWLRQQHPPHQW HIILDFH GH OD SOXSDUW GHV  
/ XWLQLVDPWHXU RX O LQVWDOODWHXU SHXW RSW  
EHVRLQV

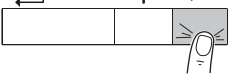
 **\$WWHQWLRQ**  
/D PRGLILFDWLRQ GHV U«JODJHV G XVLQH SH  
VXU OH IRQFWLRQQHPPHQW GH OD FKDXGL<sup>a</sup>UH

 **3RXU GH SOXV DPSOHV LQIRUPDWLRQV YRLU**  
'RFXPHQDWLRQ FRPSO«PHQWDLUH SDJH

## &RQILJXUDWLRQ GHV SDUDP<sup>a</sup>WUHV GH C

\$FF«GHU DX PHQX ,QVWDOODWHXU  
\$SSX\HU VXU  S/RXUF RMYULU OH PHQX


) LJ < WDSH  
ESC - + ←



MW-3000312-01

ODLQWHQLU  ~~OBQWRQFKKH~~ MXVTX ç FH TXH IOFKHR

) LJ < WDSH  
ESC - + ←



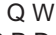
MW-3000313-01

\$SSX\HU VXU  S/RXUF RMYULU OH PHQX


) LJ < WDSH  
ESC - + ←



MW-3000314-01

ODLQWHQLU  ~~OBQWRQFKKH~~ MXVTX ç FH TXH O DSS  
FRPPDQGH RX OD JRQH V DIILFKH

) LJ < WDSH  
ESC - + ←




MW-3000406-01

\$SSX\HU VXU  S/RXUF RQILUPHU OD V«OHFWLR

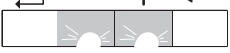
) LJ < WDSH  
ESC - + ←



MW-3000407-01

5HVWHU DSSX\«  ~~OBQWRQFKKH~~ TXH OH SDUD  
UHTXLV V DIILFKH


) LJ < WDSH  
ESC - + ←



MW-3000315-01

\$SSX\HU VXU  S/RXUF RQILUPHU OD V«OHFWLR


) LJ < WDSH  
ESC - + ←



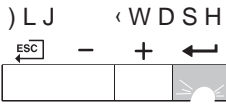
MW-3000336-01

\$SSX\HU VXU  ~~OBQWRQFKKH~~ PRGLILHU OD YDOHXU

) LJ < WDSH  
ESC - + ←



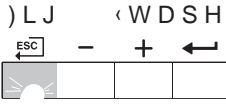
MW-3000337-01



XXXXXX

MW-3000338-01

\$SSX\HU VXU ← S/RXUFKQILUPHU OD YDOHXU



XXXXXX

MW-3000316-01

\$SSX\HU ¢ SOXVLHXUV U ← ESC J S/RXU WXLY HODLWRXFO-DIILFKDJH SULQFLSDO

/LVWH GHV SDUDP<sup>a</sup>WUHV

/H FRGH GHV SDUDP<sup>a</sup>WUHV FRQWLHQW WRXMRXUV OHWWUHV VLJQLILHQW

- \$3 3DUDP<sup>a</sup>WUHV OL«V ¢ O DSSDUHLO
- &3 3DUDP<sup>a</sup>WUHV OL«V ¢ OD JRQH
- '3 3DUDP<sup>a</sup>WUHV OL«V ¢ O HDX FKDXGH VDQLWDL
- \*3 3DUDP<sup>a</sup>WUHV OL«V DX J«Q«UDWHXU WKHUPLT
- 33 3DUDP<sup>a</sup>WUHV OL«V DX FKDXIIDJH FHQWUDO

**i** ,PSRUWDQW  
 7RXWHV OHV RSWLRQV SRVVLEOHV VRQW LQG U«JODJH / DIILFKDJH GH OD FKDXGL<sup>a</sup>UH Q LQ SHUWLQHQQV SRXU O DSSDUHLO

'HVFULSWLRQ GHV, U«FRQWURO

7DE 5 « JODJHV XVLQH

&RGH	7H[WH DIILFKDJH	FRQWURO	3ODJH GH U«JODJH	5 « JODJH SDU G«IDXW
\$3	%. /	5 « JODJH GX U«WUR «FODLU	DJH\$UU-W GX U«WUR «FODLU DSU <sup>a</sup> V PLQXWHV /H U«WUR «FODLU DJH UHVWH DFWLI	
\$3	'/6	5 « JODJH GH O KHXUH G «W«	&RPPXWDWLRQ PDQXHOH «W« KLYHU &RPPXWDWLRQ DXWRPDWLTXH «W« KLYHU	
\$3	/*	5 « JODJH GH OD ODQJXH	3DV GH ODQJXH (1 \$QJODLV )5 )UDQ©DLV '( \$OOHPDQG 1/ 1«HUODQGDLV ,7 ,WDOLHQ (6 (VSDJQRO 3/ 3RORQDLV 37 3RUWXJDLV	
\$3	&57	5 « JODJH GX FRQWUDVWH		
\$3	817	5 « JODJH GHV XQLW«V	EDU r & SVL r)	

'HVFULSWLRQ GHV SDUDP<sup>a</sup>WUHV GH O X  
\*+

**i** ,PSRUWDQW

- 7RXV OHV WDEOHDX[ LQGLTXHQW OHV U«JOD SDUDP<sup>a</sup>WUHV
- 7RXWHV OHV RSWLRQV SRVVLEOHV VRQW LQ U«JODJH / DIILFKDJH GH OD FKDXGL<sup>a</sup>UH Q L SHUWLQHQWV SRXU O DSSDUHLO

7DE 1DYLJDWLRQ SRXU OH QLYHDX XWLLOLVDWHXU

<b>1LYHDX</b>	<b>&amp;KHPLQ GDQV OH PHQX</b>
8WLLOLVDWHXU	!1DYLJDWLRQ
9RLU OD FRORQQH m 1DYLJDWLRQ } GDQV OH WDEOHDX VXLYDQW SRXU OD QDYLJDWLRQ VS«FLILTXHV	

7DE 5«JODJHV G XVLQH DX QLYHDX XWLLOLVDWHXU

&RGH	7H[WH DIILFKDJH	3ODJH	1DYLJDWLRQ				
\$3	)RQFWLRQ RQ RII	\$FWLYHU RX G«VDFWLYHU WUDLWHPHQW GH FKDOHXU SRXU OH FKDXIIDJH FHQWUDO	GH *+				
\$3	)RQFW (&6 RQ RII	\$FWLYHU RX G«VDFWLYHU WUDLWHPHQW GH FKDOHXU SRXU O HDX FKDXGH VDQLWDLUH	GH *+				
\$3	«W« +LYHU	7HPS«UDWXUH H[WULHXUH OLPLWH KDXWH SRXU FKDXIIDJH	H&8 *+				
\$3	ORGH «W«	IRUFKDXIIDJH HVW / HDX FKDXGH HVW2Q PDLQWHQXH IRUF«H GX PRGH «W«	&8 *+				
&3	&RQV 7G«	WHPS«UDWXUH FLUFXLW VDQV VRQGH H[WULHXUH	&,5&\$				
&3	&8WLO 7D \$FWLYLW«	WHPS«UDWXUH FLUFXLW HQ DFWLYLW«	GH500 GX				
&3	&8WLO 7D \$FWLYLW«	WHPS«UDWXUH FLUFXLW HQ DFWLYLW«	GH500 GX				
&3	&8WLO 7D \$FWLYLW«	WHPS«UDWXUH FLUFXLW HQ DFWLYLW«	GH500 GX				
&3	&8WLO 7D \$FWLYLW«	WHPS«UDWXUH FLUFXLW HQ DFWLYLW«	GH500 GX				
&3	&8WLO 7D \$FWLYLW«	WHPS«UDWXUH FLUFXLW HQ DFWLYLW«	GH500 GX				
&3	&8WLO 7D \$FWLYLW«	WHPS«UDWXUH FLUFXLW HQ DFWLYLW«	GH500 GX				
&3	&8WLO 7D \$FWLYLW«	WHPS«UDWXUH FLUFXLW HQ DFWLYLW«	GH500 GX				
&3	&RQV\$PE 0DQXHO	FRQVLJQH GH WHPS«UDWXUH DPELDQWH GX FLUFXLW	&,5&\$				

&RGH	7H [WH DIILF	K/LJQDWLRQ	3ODJH	1DYLJQDWLRQ				
&3	0RGH )FW	0LRGH GH IRQFW GX FLUFXLW	LRQQHPPHQW 3URJUDPP 0DQXHO +RUV JHO 7HPSRU DLUH	&,5&\$ DWLRQ				
&3	&RQV \$PE '«URJDWLRQ	&RQVLJQH DPEL «URJDWLRQ SRXU OH FLUFXLW V«OHFWLRRQ«	DQ«H r&	&,5&\$				
&3	=RQH FKH	DQ«H&KHPLQ«H	DZWL 2Q	&,5&\$				
&3	6\PEROH G FLUFXLW	&KRLVLU OH V\PERO UHSU«VHQWHUD	DQ«H r& DQ«H r& &KDPEUH 6«MRXU %XUHDX ([W«ULHXU &XLVLQH &DYH 3LVFLQH %DOORQ (&6 (&6 EDOO «OHFWULTXH (&6 EDOORQ VWUDWLIL« %DOORQ FKDXGL <sup>a</sup> UH LQW  3URJUDPPH KRUDLUH	&,5&\$ DQ«H r& DQ«H r& &KDPEUH 6«MRXU %XUHDX ([W«ULHXU &XLVLQH &DYH 3LVFLQH %DOORQ (&6 (&6 EDOO «OHFWULTXH (&6 EDOORQ VWUDWLIL« %DOORQ FKDXGL <sup>a</sup> UH LQW  3URJUDPPH KRUDLUH				
'3	6«OHFWLRQ (&6	3URJUDPPH KRUDLUH V«OHFWLRQQ« FKDXGH VDQLWDLUH	3URJUDPPH SRXU O HDX 3URJUDPPH  3URJUDPPH  5DIUD°FKLVVHPH QW	(&6				
'3	&RQVLJQH &RQIRUW	7HPS«UDWXUH &RQIRUW GX SU G HDX FKDXGH	GH IRQV «SDUDWHXU VDQLWDLUH	(&6				
'3	&RQVLJQH 5«GXLW	7HPS«UDWXUH 5«GXLW GX SU G HDX FKDXGH	GH IRQV «SDUDWHXU VDQLWDLUH	(&6				
'3	)LQ G«URJ (&6	DQ«H GH ILQ GH OD G«URJDWLRQ (&6		(&6				
'3	0RGH (&6	0RGH GH IRQWLRQ GH O HDX FKDXGH	LRQQHPPHQW 3URJUDPPH 0DQXHO +RUV JHO 7HPSRU DLUH	(&6				
'3	&RQVLJQH YDFDQFH	&RQVLJQH GH WHP «SDUDWHXU (&6 «EDOORQ G HDX FKDXGH VDQLWDLUH SHQGQW OHV YDFDQFHV	DQ«H r& DQ«H r& «SDUDWHXU (&6 «EDOORQ G HDX FKDXGH VDQLWDLUH SHQGQW OHV YDFDQFHV	(&6				

7DE 1DYLJDWLRQ SRXU OH QLYHDX LQVWDOODWHXU

1LYHDX	&KHPLQ GDQV OH PHQX
,QVWDOODWHXU	1DYLJDWLRQ
9RLU OD FRORQQH m 1DYLJDWLRQ } GDQV OH WDEOHDX VXLYDQW SRXU OD QDYLJDWLRQ VS«FLILTXHV	

7DE 5«JODJHV G XVLQH DX QLYHDX LQVWDOODWHXU

&RGH	7H[WH DIILFKW	1DYLJDWLRQ	3ODJH	1DYLJDWLRQ				
\$3	6«OHFWLRQ %/	G«RORFDJH HQWU«H E«ORFDJH &8 *+ FRPSOHW SDWVWDO U«DU P«SDU XWLOLV DWVWDO SDUWLHO 9HUURXLOODJH UHVHW '«OHVWDJH DSSRLQW '«OHVWDJH 3\$& '«OHVW DSSRLQW 3\$& &R½W +& +3 3\$& SKRWRYROWD±TXH 3\$& 39 DSSRLQW 6PDUW *ULG &KDXIIDJH )URLG						
\$3	7HPSR YDQIXP«HV	QHPSV G DWWHQWH DSU«V &8 *+ FRPPDQGH G RXYHUWXUH GH OD YDQQH GH JD]						
\$3	3UHVVLQRPLQL	G«SDUHLQ VLJQH E«OHXU &8 *+ G«IDXW GH SUHVVLQR G HDX ORUVTXH OD YDOHXU PHVXU«H HVW LQI«ULHXUH DX VHXLO						
\$3	7SV VLJQDG«EORFDJH	DSSDUHLQ DWWHQGH VV &8 *+ RII TXH OH FRQWDFW GH G«YHUURXLOODJH VH IHUP SRXU G«PDUUHU OH EU½OHXU						
\$3	+HXUHV IR EU½OHXU	IRFWLRQQHPHQW G«HXUHV EU½OHXU DYDQW O HQYRL G XQH QRWLILFDWLRQ G HQWUHWLHQ	+HXUHV &8 *+ G«HXUHV O HQYRL DWLRQ					
\$3	1RWLI G HQWUHWLHQ	Q«FHVVDLUH VHORS«YHMLRQ KHXUHV GH FRPEXQVLRQ OHV KHXUHV VRXV IRMLVLRQ	Q«YHMLRQ FRPEXQVLRQ VRMLVLRQ \$%&	&8 *+ &8 *+ &8 *+ &8 *+				
\$3	+HXUHV IR VHFVHXU	QRWEUH G KHXUHV VHFVHXU WHQVLRQ J«Q«UDQW+XUHV QRWLILFDWLRQ G HQWUHWLHQ	+HXUHV &8 *+ VHFVHXU XUHV HQWUHWLHQ					
\$3	7HPS G«S &&	Q«VVLJQH GH WHPS«UDWXL &8 *+ G«SDUW PD[LPDO HQ PRGH FKDXIIDJH	&8 *+ &8 *+ &8 *+					
\$3	,QHUWLHG E«WLPHQW	,QHUWLHG GX E«WLPHQW XWLOLV«H SRXU OD YLWHVVH GH FKDXIIDJH	&8 *+ &8 *+ &8 *+					

&RGH	7H[WH DIIL	FV/LJQDWLRQ	3ODJH	1DYLJDWLRQ			
\$3	&RQV 7HPS+RUV* W	&RQVLJQH GH W HPS«UDWXUH O DSSDUHLO SD JHO	&UDWXUH ODTXHOH VHV HQ KRUV	&8 *+			
\$3	+HXUH «W«	&KDJH DXWRPDWLTXH «W« KLYHU	211 GH QKHXUH	&8 *+			
\$3	6RXUFH VR H[W	QGH GH FRQQH VRQGH H[W«ULH	LRQWR HROXWLL 6RQGH V DQV ILO OHVXUH ,QWHUQHW \$XFXQ	&8 *+			
\$3	6RQGH([W\$ H	FWLYH OD IRQ H[W«ULH	FWLQWR 6RQGH ILODLUH 6RQGH V DQV ILO OHVXUH ,QWHUQHW \$XFXQ	&8 *+			
&3	0D[ &RQV &LUF	7RHS WHPS«UDWXUH FLUFXLW	PXPHR G«SDUW GX	&,5&\$			
&3	)RQFWLRQ FLUFXLW	)RQFWLRQQDOL	LW«'G 'LUHFW &LUFXLW P«ODQJ« 3LVFLQH +DXWH WHPS«UDWXUH 9HQWLOR FRQYHFWHXU %DOORQ (&6 (&6 «OHFWULTXH 3URJUDPPH KRUDLUH &KDXIIDJH LQG XVULHO (&6 VWUDWLIL«H (&6 %DOORQ LQWHUQH (&6 %(& FRPPHUFLDO '+: ):6 (;7	&,5&\$			
&3	&RQV DPE YDFDQFHV	&RQVLJQH DPEL FLUFXLW HQ S« YDFDQFHV	DQGH G ULRGH GH	&,5&\$			
&3	0D[ \$PE U«	GLPLWH PD[ DPEL FLUFXLW HQ U« SHUPHW OH EDV HQ FRQIRUW	DQFHR GXLW TXL VFXOHPHQW	&,5&\$			
&3	73& FLUFX &RQIRUW	LWPS«UDWXUH FRXUEH GX FLU &RQIRUW	GH SLHG FXLW HQ	&,5&\$			
&3	73& FLUFX 5«GXLW	LWPS«UDWXUH FRXUEH GX FLU 5«GXLW	GH SLHG FXLW HQ	&,5&\$			

&RGH	7H[WH DIIL	F«V/LJQDWLRQ	3ODJH	1DYLJDWLRQ			
&3	3HQWH FU FLUF	E«HDFLHQW GH OD FKDXIIH GX FLUFXLW	FRXUEH FLUFXLW	&5&\$			
&3	0RGH1XLW	5«GMLGH PRGH QXLW DUU-W RX PDLQVHQGH GHPDQGH GH FKDX'GH FLUFXLW	FRXUEH FRQWLRQGH FKDX'GH FRQWLQXH	&5&\$			
&3	6«FKDJH F	6«3«DJH GX V« FKDSH GX FLUFXLW	FKDSH FKDX'GH	&5&\$			
&3	7HPS'«P&K H	5«3JODJH GH OD WHPS«UDWXUH V«FKDJH GH OD FLUFXLW	r& r& GH G«EXW FKDSH GX	&5&\$ GX			
&3	7HPS\$UU-W H	5«3JODJH GH OD WHPS«UDWXUH SURJUDPPH GH GH OD FKDSH GX FLUFXLW	r& r& G DUU-W GX V«FKDJH FLUFXLW	&5&\$			
&3	&LUF3URJ+ FKRLVL	3URJUDPPH KRUDLW FLUFXLW V«OHFWLRQQ« O XWLLOLVDWHXU	3URJUDPPH 3URJUDPPH	&5&\$			
			5DIUD°FKLVVHPH QW				
&3	&RHI LQF FLUF	W«P\$WHXU GH YLW PRQW«H HQ WHPS« GX FLUFXLW	WHPS« /HQWH 1RUPDOH 5DSLGH 3OXV UDSLGH	&5&\$			
&3	&RHI UDI FLUF	W«P\$WHXU GH YLW UDIUD°FKLVVHPH FLUFXLW	WHPS« /HQWH 1RUPDOH 5DSLGH 0D[L	&5&\$			
&3	'XU«H0D[3 DXI &LU	U«K«H PD[L SU«FKDXIIDJH GX FLUFXLW	PLQ PLQ GX FLUFXLW	&5&\$			
&3	6WUDW«JL U«JXODWL	H«OHFWLRQ GH RQH U«JXODWLRQ	OD\$XWBPDWLRQ GX FLUFXLW \$PELDQWH (Q IRQFWLRQ 7 ([W (Q )QFW 7 H[W 7 \$PE	&5&\$			
'3	%DOO SUR	W«DOORQSDORWH O«JLRQHOORVH	FWLRQ +HEGRPDGDLUH -RXUQDOLHU	&6			
'3	\$WQHWH Y (&6	Y«QWLRQ GH OD YRLHV HQ PRGH	Y«QWLRQ FKDX'GH 3RVLWLRQ (&6	&6			
'3	'«PDU SRP EDOO (&6	S«PDUUHU SRPSH EDOORQ HDX FKDXGH VDQLWDLUH	SR&U r& FKDXGH	(&6			
'3	7KHUPRVW	\$FW(LY6DWLRQ GH WKHUPRVWDW HDX2 VDQLWDLUH 7KHUPRVWDW	DIIRQFWLRQ FKDXGH 6RQGH	&6			

&RGH	7H[WH DIILF<K/LJQDWLRQ	3ODJH	1DYLJDWLRQ			
'3	3WFRQV\$QWVWOFBQVVLJQH (&6 \$SRXUr& (&6 &6 IRQFWLRQ DQWL O«JLRQH OORVH					
'3	+HXUH G«EXHXUH GH G«EXW GHV (&6 YDFDQFHV YDFDQFHV					
'3	+HXUH ILQ+HXUH GH ILQ GHV (&6 YDFDQFHV YDFDQFHV					
*3	3XLVVDQFH3R0JFHQWDJH GHN: N: &8 *+ SXLVVDQFH PD[ HQ N:					
*3	3XLVVDQFH3RLQVDQFH PLQLPX:P HQ: &8 *+ N: SRXU FDOFXO 57					
33	7SV 3RVW)QFW*H GH SRVW PLQ PLQ &8 *+ SRPSH&& IRQFWLRQQHHPHQW GH OD SRPSH FKDXIIDJH FHQWUDO					

7DE 1DYLJDWLRQ SRXU OH QLYHDX LQVWDOODWHXU DYDQF«

1LYHDX	&KHPLQ GDQV OH PHQX
,QVWDOODWH	3UI1DYLQDWLRQ
9RLU OD FRORQQH m 1DYLJDWLRQ } GDQV OH WDEOHDX VXLYDQW SRXU OD QDYLJDWLRQ VS«FLILTXHV	

7DE 5«JODJHV G XVLQH DX QLYHDX LQVWDOODWHXU DYDQF«


&RGH	7H[WH DIILF<K/LJQDWLRQ	3ODJH	1DYLJDWLRQ			
\$3	'HPQGH \$FWLYHU OD IRQFVLRQ &8 *+ PDQXHO FKDXIIDQGH GH FKDO\$HXLF PDQXHOOH FRQVLJQH 5«JXODWLRQ 7 ([W					
\$3	&RQV0DQX3R0QW GH FRQVLJQH GH &8 *+ GH&KDXI WHPS«UDWXUH GH G«SDUW SRXU GHPDQGH GH FKDXIIDJH PDQXHOOH					
\$3	6RQGH 6«OHFWLRQ G XQH\$VFRQGH &8 *+ H[W«ULHXUH H[W«ULHXUH VRQGH H[W ) 4\$&					
\$3	8WL0LVDWQSRPSH& SRPSH FKDXIIDQGH &8 *+ KDXGUH SRXU OH FLUFXLW 2XL O LQVWDOODWLRQ FRORQQH G DOLPHQWDWLRQ « IDLEOHV SHUWHV					
\$3	/RQJXHXU ORQQHXU GH OD OLJRH &8 *+ &\$1 P P					
&3	\$IIHFV 6 ([WIFHFVWLRQ GH OD VRQGH &,5&\$ H[W«ULHXUH DX FLUFXLW					
&3	,QIO6RQGH\$PEQDJH GH O LQIOXHQFH &H5&\$ UF OD VRQGH DPELDQFH GX FLUFXLW					
&3	&DO6RQGH\$PELDUDJH GH ODVRQGH &,5&\$ UF G DPELDQFH GX FLUFXLW					
&3	1 &RQILJXUDWLRQ GH &,5&\$ rV«ULH6RQGH\$PSDLUDJH GH OD VRQGH E &LUF G DPELDQFH GX FLUFXLW					
&3	&LUF DSU«VH%FLUFXLW VH WURRQH &,5&\$ WDPSRQ GHUUL«UH XQ EDOQRQ WDP SRQ					
'3	9LW YHQW)PDVHDEWH GH YHQWLWDPHQ &6 (&6 PD[LPXP VXU HDX WU PLQ FKDXGH VDQLWDLUH					

&RGH7H[WH DIILF<V<LJQDWLRQ	3ODJH	1DYLJDWLRQ			
'3 '«FDODJH EDOORQ	7'«FDODJH GX SRLQW GH FRQVLJQH GH G«SDUW SRXU OH EDOORQ	Q&H GH (&6			
'3 +\VW FDSW+EDOORQ	VH GHPDQGH GH FKDOHXU 2Q 2II SRXU EDOORQ	GH GH (&6			
'3 3RVW)QFW (&6 Y Y	'XU«H GH IRQFWLWLRQQVPHQ GH OD SRPSH RX GH OD YDQQH YRLHV DSU <sup>a</sup> V XQH SURGXFWLRQ (&6	GH (&6			
'3 '«FDO%DOORQ	EDOORQJH SRXU GH EDOORQ	FDSWHXU (&6			
'3 7\SH FKDU (&6	JHSH G HDX FKDVQLWDLUH VROR	XGHRPEL (&6 PL[GHOR %DOORQ VWUDWLIL« &KDXIIDJH LQG XVWULHO ([WHUQH			
*3 9LW YHQW &&	9LWYVH PD[ GX YHQWLQDWHXU HQ FKDXIIDJH	WU PLQ &8 *+ HQ PRGHPLQ			
*3 9LW PLQ YHQW	9LWYVH PLQ GX YHQWLQDWHXU HQ FKDXIIDJH HDX FKDXGH VDQLWDLUH	WU PLQ &8 *+ HQ PRGHPLQ			
*3 9LW YHQW G«PDUUDJH	9LWHVVH GX YHQWLQDWHXU G«PDUUDJH	WU PLQ &8 *+ WU PLQ			
*3 &RQWU\OH &RQWU\OH	SUHVVVRVQDW G&8 *+ JD] RQ RII 2XL	GH &8 *+			
*3 0RGXODWL WHPS	0RGXODWLRQ TXDQGH WHPS«UDWXUH VXS«ULHXUH DX VHXLO	r& &8 *+ GHOWD GH			
*3 )DFW 7DX 0R\	7)DFSWHXU 7DX SRXU FDOFXGH OD WHPS G«SDUW PR\HQQH	GH &8 *+ G«SDUW			
33 5«GXF'7SR &&	5«GXFWLRQ GH OD PRGXODWLRQ GX GHOWD WHPS«UDWXUH SRXU PRGXODWLRQ GH SRPSH	& r& &8 *+ GH			
33 9LWHVVH SRPSH &&	9LWHVVH GH SRPSH PD[LPDOH HQ FKDXIIDJH FHQWUDO	&8 *+			
33 )DFWHXU9 RPSH&&	9LWHVVH PD[LPXP GH SRPSH HQ FKDUJH PLQLXP VRXV IRUPH GH SRXUFHQWDJH GH OD YLWHVVH GH SRPSH PD[	&8 *+ HVVH			
33 9LWHVVH SRPSH &&	9LWHVVH GH SRPSH PLQLPDOH HQ FKDXIIDJH FHQWUDO	&8 *+			
33 +\VW G«PD &&	WUWHVH GH G«PDUUDJH GXF KDXYIIDJH	&8 *+			

# (QWUHWLHQ

## \* «Q «UDOLW «V

/D FKDXGL<sup>a</sup>UH QH Q «FHVVLWH SDV EHDXFRXS G HQ  
-WUH LQVSHFW «H HW HQWUHWLHQXH U «JXOL<sup>a</sup>UHPH  
SOXV SURSLFH ¢ O HQWUHWLHQ OD FKDXGL<sup>a</sup>UH D  
PHVVDJH /H ER°WLHU GH FRPPDQGH G «WHUPLQH  
G HQWUHWLHQ V DIILFKH

 **\$WVHQWLRQ**

- /HV RS«UDWLRQV GH PDLQWHQDQFH VRQW ¢  
SURIHVVLRRQHO TXDOLIL «
- /RUV GHV RS«UDWLRQV GH FRQWU¶OH HW GH  
WRXMRXUV WRXV OHV MRLQWV GHV SL<sup>a</sup>FHV G
- ,O HVW UHFRPPDQG « GH VRXVFULUH XQ FRQ
- 5HPSODFH] OHV SL<sup>a</sup>FHV XV«HV RX G «IHFWXH  
G RULJLQH

## OHVVDJH G HQWUHWLHQ

/ DIILFKHXU GH OD FKDXGL<sup>a</sup>UH LQGLTXH FODLUHPH  
PRPHQW RSSRUWXQ 8WLQVHU OH PHVVDJH G HQ  
SU«YHQWLI SRXU U «GXLUH DX PLQLXP OHV G\IR  
G HQWUHWLHQ LQGLTXHQW TXHO NLW G HQWUHWL  
G HQWUHWLHQ FRQWLHQHQW WRXWHV OHV SL<sup>a</sup>FH  
O HQWUHWLHQ FRUHVSRQGDQW &HV NLWV G HQ  
5HPSODFH] OHV GLVSRQLEOHV DXSU<sup>a</sup>V GHV IRXUQLV  
UHFKDQJH

 **,PSRUWDQW**  
/HV PHVVDJHV G HQWUHWLHQ GRLYHQW IDLUH  
GDQV OHV PRLV

 **,PSRUWDQW**  
6L OH WKHUPRVWDW «RZLQDWHU HOL « ¢ OD  
FKDXGL<sup>a</sup>UH LO SHXW «JDOHPHQW DIILFKHU O  
&RQVXOWHU OD QRWLFH GX WKHUPRVWDW

 **\$WVHQWLRQ**  
5 «LQLWLDOLVHU OH PHVVDJH G HQWUHWLHQ D

 **3RXU GH SOXV DPSOHV LQIRUPDWLRQV YRLU**  
'RFXPHQDWLRQ FRPSO«PHQWDLUH SDJH

## 2S«UDWLRQV GH FRQWU¶OH HW G-HQWUHWLHQ VWDQGDUG

### &RQWU¶OH GH OD SUHVVLQ K\GUDXOL

&RQWU¶OHU OD SUHVVLQ K\GUDXOLTXH

 **,PSRUWDQW**  
/D SUHVVLQ K\GUDXOLTXH UHFRPPDQG «H VH  
EDU

⇒ /D SUHVVLQ K\GUDXOLTXH GRLW -WUH GH  
\$X EHVRLQ IDLUH O DSSRLQW HQ HDX GH O LQ

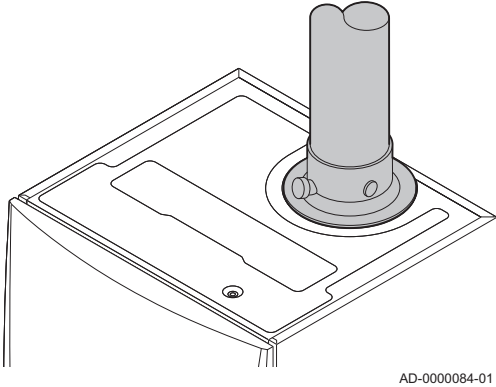
### &RQWU¶OH GX FRXUDQW G LRQLVDWLRQ

&RQWU¶OHU OH FRXUDQW G LRQLVDWLRQ ¢ SOH  
⇒ /D YDOHXU HVW VWDEOH DX ERXW GH PLQXW

1HWR\HU RX UHPSODFHU O «OHFWURGH G DOO  
HVW LQI«ULHXUH ¢ w\$

**9«ULILFDWLRQ GHV UDFFRUGHPHQWV G**

)LJ 9«ULILFDWLRQ GHV UDFFRUGHPHQWV GH 9«ULILHU O «WDW HW O «WDQFK«LW« GHV UDFFRUGHPHQWV  
IXPLVWHULH



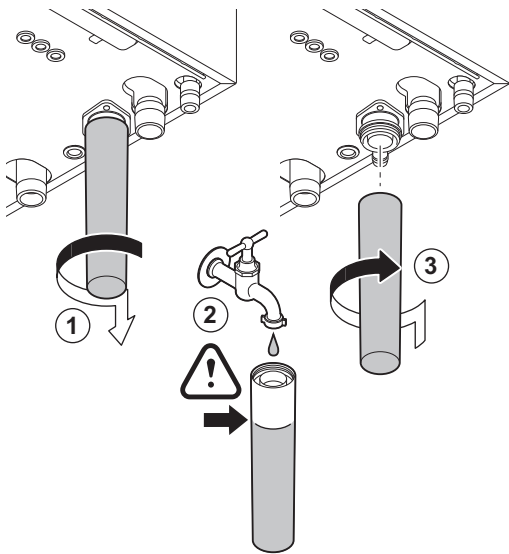
AD-0000084-01

**&RQWU¶OH GH OD FRPEXVWLRQ**

/H FRQWU¶OH GH OD FRPEXVWLRQ V HIIHFXH HQ  
GDQV OH FRQGXLW GH EXVH GH IXP«HV

**1HWR\DJH GX VLSKRQ**

)LJ 1HWR\DJH GX VLSKRQ



AD-0000086-01



**'DQJHU**

/H VLSKRQ GRLW WRXMRXUV -WUH VXIILVDPPH  
TXH GHV JD] GH FRPEXVWLRQ Q HQWUHQW GD

'«PRQWHU OH VLSKRQ HW OH QHWR\HU  
5HPSOLU OH VLSKRQ G HDX  
5HPRQWHU OH VLSKRQ

## 2S«UDWLRQV G-HQWUHWLHQ VS«FLILTXHV



3RXU GH SOXV DPSOHV LQIRUPDWLRQV YRLU 'RFXPHQWDWLRQ FRPSO«PHQWDLUH SDJH

### \*«Q«UDOLW«V



#### 'DQJHU

- &RXSHU O DOLPHQWDWLRQ «OHFWULTXH GH
- &RXSHU O DOLPHQWDWLRQ HQ JD]

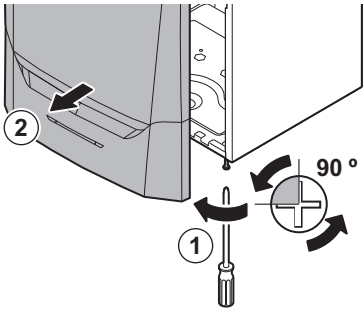


#### \$WWHQWLRQ

/RUV GHV RS«UDWLRQV GH FRQWU¶OH HW G H WRXV OHV MRLQWV GHV SLªFHV G«PRQW«HV

### '«SRVH GX SDQQHDX DYDQW

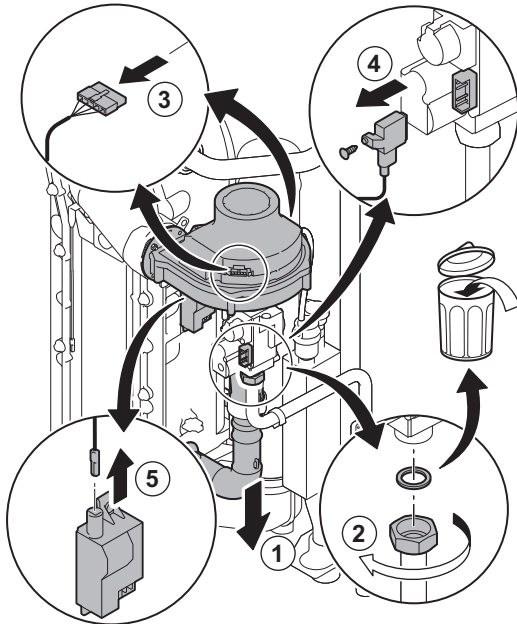
)LJ '«SRVH GX SDQQHDX DYDQW, «YLVVHU G XQ TXDUW GH WRXU OHV GHX[ YLV SDQQHDX DYDQW '«PRQWHU OH SDQQHDX DYDQW



AD-400071-01

### &RQWU¶OH GX FODSHW DQWL UHWRXU

)LJ '«EUDQFKHPPHQW GX YHQWLODWHXU '«YLVVHU O «FURX ERUJQH GX EORF YDQQH JD] '«EUDQFKHU OHV ILFKHV GX YHQWLODWHXU VX 5HWLUHU OD ILFKH & YLVVHU GX EORF YDQQH J 5HWLUHU OD ILFKH GH O «OHFWURGH G DOOXPD G DOOXPDJH

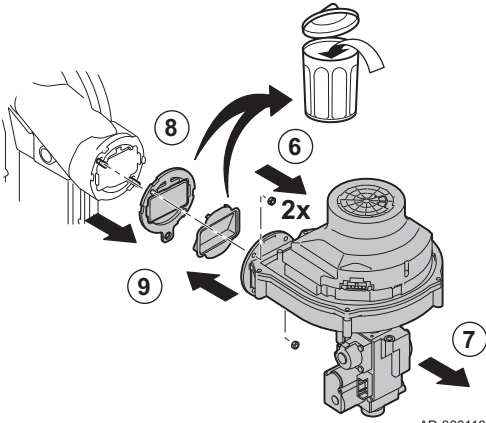


AD-3001178-01

)LJ

&RQWUHOH GX FODSHW DQWL«~~PRQV~~U OH YHQWLQDWHXU

5HWLUHU OH YHQWLQDWHXU HW OH EORF YDQQ  
,QVSHFWHU OH FODSHW DQWL UHWRXU HW OH U  
HQGRPPDJ« RX VL OH NLW GH PDLQWHQDQFH F  
UHWRXU  
5HPRQWHU GDQV O RUGUH LQYHUVH GX G«PRQV



AD-3001181-01

### 5HPRQWDJH GH OD FKDXGL<sup>a</sup>UH

5HPRQWHU WRXWHV OHV SL<sup>a</sup>FHV G«SRV«HV GDQ  
0HWWUH OD FKDXGL<sup>a</sup>UH VRXV WHQVLRQ  
2XYULU OD YDQQH JD]  
3XUJHU O LQVWDOODWLRQ  
)DLUH O DSSRLQW HQ HDX VL Q«FHVVDLUH  
9«ULILHU O «WDQFK«LW« GHV UDFFRUGHPHQWV  
5HPRQWHU OD FKDXGL<sup>a</sup>UH HQ VHUYLFH

(Q FDV GH G«UDQJHPHQW

&RGHV G HUUHXU

/D FKDXGL<sup>a</sup>UH HVW GRW«H G XQH XQLW« GH FRPP  
«OHFWURQLTXH \$X F XU GH OD U«JXO B V6PDDUWLJX  
TXL SLORWH OD FKDXGL<sup>a</sup>UH PDLV «JDOHPPHQW OD  
FRGH FRUUHVSRQGQDW V DIILFKH

7DE /HV FRGHV G HUUHXU V DIILFKHQW VXU WURLV QLYHDX[ GLII«UHQWV

&RGH	7\SH	'HVFULSWLRQ
\$	\$YHUWLVVHPPHQW	/D FKDXGL <sup>a</sup> UH FRQWLQXH « IRQFWLRQQHU PDLV LO IDXV PHQW 8Q DYHUWLVVHPPHQW SHXW VH WUDQVIRUPHU HQ
+	%ORFDJH	/D FKDXGL <sup>a</sup> UH VH UHPHW HQ VHUYLFH GH ID©RQ DXWRQ D «W« FRUULJ«H 8Q EORFDJH SHXW VH WUDQVIRUPHU I
(	9HUURXLOODJH	/D FKDXGL <sup>a</sup> UH QH VH UHPHW HQ VHUYLFH TX DSU <sup>a</sup> V OD HW OD U«LQLWLDOLVDWLRQ PDQXHOH

/D VLJQLILFDWLRQ GX FRGH HVW GRQQ«H GDQV O  
G HUUHXUV



,PSRUWDQW  
&H FRGH GH G«IDXW HVW Q«FHVVDLUH SRXU V  
FRUUHFWHPPHQW OD FDXVH GH O HUUHXU HW S  
GH OD S«HUPHKGH

\$YHUWLVVHPPHQW

7DE &RGHV G DYHUWLVVHPPHQW

&RGH	7H[W«ULHXUH	'«VLJQDWLRQ	6ROXLWRQ
\$	7H[W«ULHXUH	FRQTXH D QMPS«UDWXUH DWWHQGXH PDLV QRQ	HEWH«QHXGH HVVRQGH H[W«ULHXUH G«WHFW«H • 6RQGH H[W«ULHXUH QRQ UDFFRUG VRQGH • 6RQGH H[W«ULHXUH QRQ UDFFRUG 5DFFRUGHU FRUUHFWHPPHQW OD VF
\$	3UHVV(DX PDQ	&DSWHXU GH SUHVVL PDLV QRQ G«WHFW«	• &DSWHXU GH SUHVVLQRQ KIGUDXOL G« UDFFRUGHU OH FDSWHXU • &DSWHXU GH SUHVVLQRQ KIGUDXOL FRUUHFWHPPHQW UDFFRUGHU FRU WHXU
\$	&RPEXVWQ LQF	&RB«XWWRQ LQFRPSO	• 3DV GH FRXUDQW G LRQLVDWLRQ - 3XUJHU OH FRQGXLDW JD] - 6 DVVXUHU TXH OH URELQHW JD] PHQW RXYHUW - 9«ULILFDWLRQ GH OD SUHVVLQRQ - 9«ULILHU OH IRQFWLRQQHPPHQW H EORF YDQQH JD] - 9«ULILHU TXH OHV FRQGXLDWV G D G «YDFXDWLRQ GHV IXP«HV QH V WUX«V - 9«ULILHU TXH OHV IXP«HV QH VR U«HV
\$	\$YHUW SUHV	\$YHUWLVVHPPHQW GH DFWLI	• 3UHVVLQRQ KIGUDXOLTXH WURS EDV SUHVVLQRQ KIGUDXOLTXH

&RGH	7H[WH DIILFK«	'«VLJQDWLRQ	6ROXWLRQ
\$	'LVS IRQFW SH	IGWSRVLWLI IRQFWLRQ	6RQXWLRQ • 0DXYDLVH FRQQH[LRQ Y«ULILHU FRQQHFWHXUV • 6 & %G «IHFWXHX[ 5HPSODFHU OD F
\$	'LVS QRQ FULW	SVISRWLWLI QRQ FULW	6RQXWLRQ • 0DXYDLVH FRQQH[LRQ Y«ULILHU FRQQHFWHXUV • 6 & %G «IHFWXHX[ 5HPSODFHU OD F
\$	0DWULFH&RQQ	0DWULFH&RQQ	6RQXWLRQ • 5«DOLVHU XQH G«WHFWLRQ DXWRF
\$	\$GPLQ DSS )XO	\$GPLQLVWUDWLRQ G D	6RQXWLRQ • 5«DOLVHU XQH G«WHFWLRQ DXWRF
\$	'«I FRQILJ JU	IRQFW GH FRQILJXUD	6RQXWLRQ • 5«DOLVHU XQH G«WHFWLRQ DXWRF
\$	3E LQLW GHV	QFXGF G LQLWLDOLVD	6RQXWLRQ • 5«DOLVHU XQH G«WHFWLRQ DXWRF
\$	1XP V«ULH LQY	1XP V«ULH LQY	6RQXWLRQ • 5«DOLVHU XQH G«WHFWLRQ DXWRF
\$	0RGH G«PR DF	0RGH G«PR DF	6RQXWLRQ • 5«DOLVHU XQH G«WHFWLRQ DXWRF
\$	0«PRLUH SOHL	0«PRLUH SOHL	6RQXWLRQ • 5«DOLVHU XQH G«WHFWLRQ DXWRF
\$	7HPSV GRXFKH	7HPSV GRXFKH	6RQXWLRQ • 5«DOLVHU XQH G«WHFWLRQ DXWRF

%ORFDJH

7DE &RGHV GH EORFDJH

&RGH	7H[WH DIILFK«	'«VLJQDWLRQ	6ROXWLRQ
+	0HV DPELDQFH	0HV DPELDQFH	6RQXWLRQ • 6RQGH G DPELDQFH QRQ UDFFRUG OD VRQGH • 6RQGH G DPELDQFH QRQ UDFFRUG PHQW 5DFFRUGHU FRUHFVHPPHQ
+	(UUHXU FRPP	8QH HUUHXU GH FRPP	6RQXWLRQ • 5HG«PDUUHU OD FKDXGL <sup>a</sup> UH • 5HPSODFHU OD FDUWH
+	'HOWD 7' 75 PD	'HOWD 7' 75 PD	6RQXWLRQ • \$EVHQFH GH G«ELW RX G«ELW LQV - &RQUHOHU OD FLUFODWLRQ V QHV - &RQUHOHU OD SUHVLRQ KIGUD - &RQUHOHU O «WDW GH SURSUHV WKHUPLTXH • (UUHXU GH VRQGH - 9«ULILHU OH ERQ IRQFWLRQQHPH - 9«ULILHU VL OD VRQGH D «W« PR PHQW

&RGH	7H[WH DIILFK«	'«VLJQDWLRQ	6ROXWLRQ
+	'HOWD 7 0D[	'HOWD 7 0D[	/D WHPS«UDWXUH GH O «FKDQJHXU SDVV« OD OLPLWH DXWRULV«H <ul style="list-style-type: none"> <li>• \$EVHQFH GH G«ELW RX G«ELW LQV</li> <li>- &amp;RQUWTOHU OD FLUFXODWLRQ V QHV</li> <li>- &amp;RQUWTOHU OD SUHVVLQR KIGUD</li> <li>- &amp;RQUWTOHU O «WDW GH SURSUHV WKHUPLTXH</li> <li>- 9«ULILHU TXH OH V\WV<sup>a</sup>PH GH FK D «W« FRUHFHWHPHQW SXUJ« SR</li> <li>• (UHXU GH VRQGH</li> <li>- 9«ULILHU OH ERQ IRQFWLRQQHPH</li> <li>- 9«ULILHU VL OD VRQGH D «W« PR PHQW</li> </ul>
+	7'«SW PD[	/D WHPS«UDWXUH GH OD YDOHXU GH IRQFW PD[LPDOH	G«SDQJHXU GH G«SDQJHXU GH G«SDQJHXU GH G«SDQJHXU GH G«SDQJHXU <ul style="list-style-type: none"> <li>• 0DXYDLVH FRQQH[LRQ Y«ULILHU FRQQHFHWHXUV</li> <li>• \$EVHQFH GH G«ELW RX G«ELW LQV</li> <li>- &amp;RQUWTOHU OD FLUFXODWLRQ V QHV</li> <li>- &amp;RQUWTOHU OD SUHVVLQR KIGUD</li> <li>- &amp;RQUWTOHU O «WDW GH SURSUHV WKHUPLTXH</li> </ul>
+	7JD] FRPE PD[	/D WHPS«UDWXUH GHV FRPEXVWLRQ D G«SDV IRQFWLRQQHPHQW PD[LPDOH	7JD] FRPE PD[LPDOH GHV IXP«H <ul style="list-style-type: none"> <li>• 9«ULILHU OH V\WV<sup>a</sup>PH G «YDFXDWL TXH OH F\W« «YDFXDWLRQ GHV IX HQFUDVV«</li> <li>• 6RQGH G«IHFWXH XVH UHPSODFHU</li> </ul>
+	5«LQLW HQ FR	5«LQLWLDOLVDWLRQ HQ	5«LQLWLDOLVDWLRQ HQ <ul style="list-style-type: none"> <li>• \$XFXQH DFWLRQ</li> </ul>
+	\$WWHQWH Qr FR	\$WWHQWH GX QXP« FRQILJXUDWLRQ	\$WWHQWH GH FRQILJXUDWLRQ RX QXP WLRQ LQFRQQX <ul style="list-style-type: none"> <li>• 5«LQLW &amp; D CHMHU</li> </ul>
+	(UHXU FRQILJ	(UHXU GH FRQILJXUDWLRQ	(UHXU GH FRQILJXUDWLRQ RX QXP WLRQ LQFRQQX <ul style="list-style-type: none"> <li>• 5«LQLW &amp; D CHMHU</li> </ul>
+	(UHXU GH SDU	(UHXU GH SDUDP <sup>a</sup> WU	5«JODJHV G-XVLQH LQFRUHFVW <ul style="list-style-type: none"> <li>• 3DUDP<sup>a</sup>WUHV HUURQ«V</li> <li>- 5PHWWUH OD FKDXGL<sup>a</sup>UH HQ VH</li> <li>- 5«LQLW &amp; D CHMHU</li> <li>- 5HPSODFHU OD FDUW<sup>a</sup>H*«OHFWURC</li> </ul>
+	&68 HW &8 LQF	&68 HW SDV FRP &8	&68 HW SDV FRQILJXUDWLRQ <ul style="list-style-type: none"> <li>• 5«LQLW &amp; D CHMHU</li> </ul>
+	%ORFDJH SDUW	%ORFDJH SDUWLHO GH	(QDSDGHILDOURHFRQDFWLYH RX SU WLYH <ul style="list-style-type: none"> <li>• &amp;DXVH H[WHUQH «OLPLQHU OD FD</li> <li>• 0DXYDLV U«JODJH GHV SDUDP<sup>a</sup>WUHV SDUDP<sup>a</sup>WUHV</li> <li>• 0DXYDLVH FRQQH[LRQ Y«ULILHU</li> </ul>
+	%ORFDJH FRPS	%ORFDJH FRPSOHW GH	(QDSDGHILDOURHFRQDFWLYH WLJHO <ul style="list-style-type: none"> <li>• &amp;DXVH H[WHUQH «OLPLQHU OD FD</li> <li>• 0DXYDLV U«JODJH GHV SDUDP<sup>a</sup>WUHV SDUDP<sup>a</sup>WUHV</li> <li>• 0DXYDLVH FRQQH[LRQ Y«ULILHU</li> </ul>

&RGH	7H[WH DIILFK«	'«VLJQDWLRQ	6ROXWLRQ
+	6LJQDO G«EOR	RQVHU«H GX VLJQDO G«EOR O XQLW« GH FRPPDQG O HQYLURQQHPPHQW H[WHUQH	• 0DXYDLVH FRQQH[LRQ Y«ULILHU • 0DXYDLV U«JODJH GHV SDUDP <sup>a</sup> WUHV • 0DXYDLVH FRQQH[LRQ Y«ULILHU
+	\$XFXQH GXUHW	3DV GH GXUHW« GH O	HDX
+	(UUHXU WHVW	5XHF GX WHVW GX U« FKDOHXU H[WHUQH	• 5HG«PDUUHU OD FKDXGL <sup>a</sup> UH • 5HPSODFHU«D* FDUWH
+	(UUHXU GH SD	UDP <sup>a</sup> WUHV GH V« QLYHDX HW VRQW PDQTXDQWV	• 5HG«PDUUHU OD FKDXGL <sup>a</sup> UH • 5HPSODFHU«D* FDUWH
+	3E FRP &8 YH	UDP <sup>a</sup> WUHV GH WUDQVPLV OD &9*	• 5HG«PDUUHU OD FKDXGL <sup>a</sup> UH
+	3HUWH GH IOD	PHFRXUDQW G LRQLVD LQI«ULHXU « OD OLPLW	• 3DV GH FRXUDQW G LRQLVDWLRQ - 3XUJHU OH FRQGXLW JD] - 9«ULILHU TXH OD YDQQH JD] HVW YHUW - 9«ULILHU OD SUHVVLQR G DOLPH - 9«ULILHU OH IRQFWLRQQHPPHQW H EORF YDQQH JD] - 9«ULILHU TXH OHV FRQGXLWV G D G «YDFXDWLRQ GHV IXP«HV QH V WUX«V - 9«ULILHU TXH OHV IXP«HV QH VR U«HV
+	%ORFDJH LQW	HQORFDJH LQWHUQH GH YDQQH GH JD]	• 5HG«PDUUHU OD FKDXGL <sup>a</sup> UH • 5HPSODFHU«D* FDUWH
+	9«ULI V«FXULW	3«ULILFDWLRQ S«ULRQ HQ FRXUV	• 5HG«PDUUHU OD FKDXGL <sup>a</sup> UH • 5HPSODFHU«D* FDUWH

9HUURXLOODJH

7DE &RGHV GH YHUURXLOODJH

&RGH	7H[WH DIILFK«	'«VLJQDWLRQ	6ROXWLRQ
(	75HWRXU RXYH	UDVVRQGH GH WHPS«U HVW DEVHQWH RX PHV LQI«ULHXU « OD SODJH	• 0DXYDLVH FRQQH[LRQ Y«ULILHU FRQQHFWHXUV • 6RQGH PDO LQVWDOO«H Y«ULILH PRQ«H FRUHFWHPPHQW • 6RQGH G«IHFWXHXVH UHPSODFHU
(	75HWRXU FUW	7DUFRQW GH WHPS«U HQ FRXUV FLUFXLW R WHPS«UDWXUH VXS«U	• 0DXYDLVH FRQQH[LRQ Y«ULILHU FRQQHFWHXUV • 6RQGH PDO LQVWDOO«H Y«ULILH PRQ«H FRUHFWHPPHQW • 6RQGH G«IHFWXHXVH UHPSODFHU
(	75HWRXU PDQT	UDVVRQGH GH WHPS«U HVW DWWHQGXH PDLV	• 0DXYDLVH FRQQH[LRQ Y«ULILHU FRQQHFWHXUV • 6RQGH G«IHFWXHXVH UHPSODFHU

&RGH	7H[WH DIILFK«	'«VLJQDWLRQ	6ROXWLRQ
(	G7UHW WURS J	GH GLII«UHQFH GH WHP UHWRXU HVW WURS J	<p>• \$XFXQH FLUFXODWLRQ</p> <p>- 3XUJHU O LQVWDOODWLRQ SRXU</p> <p>- &amp;RQWU«OHU OD SUHVVLQR K\GUD</p> <p>- /H FDV «FK«DQW Y«ULILHU OHS</p> <p>GH FKDXGL<sup>a</sup>UH</p> <p>- &amp;RQWU«OHU OD FLUFXODWLRQ V</p> <p>QHV</p> <p>- 9«ULILHU OH ERQ IRQFWLRQQHPH</p> <p>FKDXIIDJH</p> <p>- &amp;RQWU«OHU O «WDW GH SURSUHV</p> <p>WKHUPLTXH</p> <p>• /D VRQG Q HVW SDV RX HVW PDO</p> <p>- 9«ULILHU OH ERQ IRQFWLRQQHPH</p> <p>- 9«ULILHU VL OD VRQGH D «W«PR</p> <p>PHQW</p> <p>• 6RQGH G«IHFWXH XVH OD UHPSOD</p> <p>«FK«DQW</p>
(	6RQGH (&6 G«F	RDQRQGH EDOORQ HDX VDQLWDLUH HVW DEVH HVW LQI«ULHXUH «OD	<p>• 6RQGH G«IHFWXH XVH UHPSODFHU</p>
(	6RQGH (&6 FUW	DLURQGH GX EDOORQ VDQLWDLUH HVW FRXU PHVXUH HVW VXS«ULHXUH «OD	<p>• 6RQGH G«IHFWXH XVH UHPSODFHU</p>
(	[ (UU SHUWH	ODPUHXU 3HUWH GH LQYRORQWDLUH	<p>• 3XUJHU OH FRQGXLW JD]</p> <p>• 9«ULILHU TXH OD YDQQH JD] HVW</p> <p>WH</p> <p>• 9«ULILHU OD SUHVVLQR G DOLPHQ</p> <p>• 9«ULILHU OH IRQFWLRQQHPHQW HV</p> <p>YDQQH JD]</p> <p>• 9«ULILHU TXH OHV FRQGXLWV G DU</p> <p>FXDWLRQ GHV IXP«HV QH VRQW SD</p> <p>• 9«ULILHU TXH OHV IXP«HV QH VRQ</p>
(	9HQWLO KRUV	SDDJLHVHVH GX YHQWLO OD SODJH QRUPDOH	<p>• 0DXYDLVH FRQQH[LRQ Y«ULILHU</p> <p>FRQQHFVHXUV</p> <p>• '«IDXW GX YHQWLODWHXU UHPSO</p> <p>• /H YHQWLODWHXU IRQFWLRQQH TX</p> <p>Y«ULILHU TXH OH WLUDJH GH ODF</p> <p>H[FHVLI</p>
(	5HWRXU ! '«SD	UW YDOHXU GH OD WHP UHWRXU HVW VXS«ULHXUH «OD WHP«UDWXUH GH G«SDUW	<p>• / HDX FLUFXOH GDQV OH PDXYDLV</p> <p>OD FLUFXODWLRQ VHQV SRPSH Y</p> <p>• 6RQGH PDO LQVWDOO«H Y«ULILH</p> <p>PRW«H FRUHFVHPPHQW</p> <p>• 6RQGH G«IHFWXH XVH Y«ULILHU O</p> <p>GH OD VRQGH</p> <p>• 6RQGH G«IHFWXH XVH UHPSODFHU</p>

&RGH	7H[WH DIILFK«	'«VLJQDWLRQ	6ROXWLRQ
(	(UUHXUV FRPEXUVLRQXUV HUUHXUV OLHX HQ KHXUHV	3XUJHU OH FRQGXLW JD] 9«ULILHU TXH OD YDQQH GH JD] RXYHUWH 9«ULILHU OD SUHVVLQR G DOLPHQ 9«ULILHU OH IRQFWLRQQHPHQW HV YDQQH JD] 9«ULILHU TXH OHV FRQGXLWV G DU FXDWLRQ GHV IXP«HV QH VRQW SD 9«ULILHU TXH OHV IXP«HV QH VRQ	G BLEROFERXWUBQRGWLRLQVDWLRQ • 3XUJHU OH FRQGXLW JD] • 9«ULILHU TXH OD YDQQH GH JD] RXYHUWH • 9«ULILHU OD SUHVVLQR G DOLPHQ • 9«ULILHU OH IRQFWLRQQHPHQW HV YDQQH JD] • 9«ULILHU TXH OHV FRQGXLWV G DU FXDWLRQ GHV IXP«HV QH VRQW SD • 9«ULILHU TXH OHV IXP«HV QH VRQ
(	(QWU«H EORTX	DQWU«H EORFDQWH GH FRPPDQGH SURYHQDQW O HQYLURQQHPHQW H	QWU«H EORFDJH DFWLYH &DXVH HIWHUOH «OLPLQHU OD FD 0DXVYDLV U«JODJH GHV SDUDP <sup>a</sup> WUHV SDUDP <sup>a</sup> WUHV
(	3UREO <sup>a</sup> PH &68	H[WHUHQHPHQW GH WHP H[WHUHQH	SQVSRXUWXG&68G X • 0DXVYDLVH FRQQH[LRQ Y«ULILHU FRQQHFVHXUV • &68G«IHFWXHX[ 5HPSODFHU OH
(	([SLU FRPP &9	([SLUDWLRQ GX WHPSV FRPPXQLFDWLRQ DYHF FRPPDQGH GHV YDQQH	GWHXUWGHKURPPXQLFDWLRQ DYHF GWHXUWGHKURPPXQLFDWLRQ DYHF • 5HG«PDUUHU OD FKDXGL <sup>a</sup> UH • 5HPSODFHU«D*FDUWH
(	'LVS V«FXULW«	SWSRXLWLI FULWLTXH G«FRQQHFW«	GDXWF&ULFR«PPXQLFDWLRQ • 5«DOLVHU XQH G«WHFWLRQ DXWRF
(	«FKHF&RQQH[* QF	«FKHF»R GH FRQQH[LRQ IRQFWLRQV	GURXSRXGSHMRQFWLRQV LQWURXYDE • 5«DOLVHU XQH G«WHFWLRQ DXWRF • 5HG«PDUUHU OD FKDXGL <sup>a</sup> UH • 5HPSODFHU«D*FDUWH
(	(UUHXU GH SD	SDUDP <sup>a</sup> WUHV GH V«FXULW LQFRUUHFVW RX PDQTXDQWV	LHP«GDFGUL«D*FDUWH • 6RQGH PDO LQVWDOO«H Y«ULILH PRQW«H FRUUHFVHPHQW • 6RQGH G«IHFWXHXVH UHPSODFHU
(	7'«SW FRXUW	6RQGH GH WHP«UDWXUH GH FRQQHFW«H RX PHVXUWH WHP«UDWXUH LQI«ULHXUH & OD	URXGWH«SDUDP <sup>a</sup> WUHV GH OD VRQGH GH V • 0DXVYDLVH FRQQH[LRQ Y«ULILHU FRQQHFVHXUV • 6RQGH PDO LQVWDOO«H Y«ULILH PRQW«H FRUUHFVHPHQW • 6RQGH G«IHFWXHXVH UHPSODFHU
(	7'«SW RXYHUW	6RQGH GH WHP«UDWXUH GH G«FRQQHFW«H RX PHVXUWH WHP«UDWXUH LQI«ULHXUH & OD	URXGWH«SDUDP <sup>a</sup> WUHV GH G«SDU • 0DXVYDLVH FRQQH[LRQ Y«ULILHU FRQQHFVHXUV • 6RQGH G«IHFWXHXVH UHPSODFHU
(	7HPS G«SDUW	7HPS«UDWXUH GH HVW VXS«ULHXUH & OD	G«SDUW«H VXS«ELW RX G«ELW LQVX • &RQWU«OHU OD SUHVVLQR K«GUDX • &RQWU«OHU O «WDW GH SURSUHW PLTXH
(	6RQGHV WHP	G«SDUW«H QFH HQWUHG WHP«UDWXUH GH «OHY«H	G«SDUW«H VXS«ELW VRQGH GH WHP« • 0DXVYDLVH FRQQH[LRQ Y«ULILHU • 6RQGH G«IHFWXHXVH UHPSODFHU

&RGH	7H[WH DIILFK«	' «VLJQDWLRQ	6ROXWLRQ
(	«FKHF DOOXPDJH	«FKHFV G DOOXPDJH G «WHFW «V	<p>• \$EVHQFH G «WLQFHOOH G DOOXPDJH - 9«ULILHU OH F«EODJH *H«WUOHOD WUDQVIRUPDWHXU G DOOXPDJH - 9«ULILHU O «OHFWURGH G LRQLV - 9«ULILHU OD PLVH ¢ OD PDVVH W - 9«ULILHU O «WDW GX FDSRW GX - 9«ULILHU OD PLVH ¢ OD WHUUH - 5HPSODFHU«D*F DUWH</p> <p>• «WLQFHOOH G DOOXPDJH PDLV DE PH - 3XUJHU O DLU GDQV OH FRQGXLW - 9«ULILHU TXH OHV FRQGXLWV G D G «YDFXDWLRQ GHV IXP«HV QH V WUX«V - 9«ULILHU TXH OD YDQQH JD] HVW YHUW - 9«ULILHU OD SUHVVLQR G DOLPH - 9«ULILHU OH IRQFWLRQQHPPHQW F EORF YDQQH JD] - 9«ULILHU OH F«EODJH GX EORF Y - 5HPSODFHU«D*F DUWH</p> <p>• )ODPPH SU«VHQWH PDLV O LRQLV RX HVW LQVXIILVDQW - 9«ULILHU TXH OD YDQQH JD] HVW YHUW - 9«ULILHU OD SUHVVLQR G DOLPH - 9«ULILHU O «OHFWURGH G LRQLV - 9«ULILHU OD PLVH ¢ OD WHUUH - 9«ULILHU OH F«EODJH GH O «OHF G DOOXPDJH</p>
(	)ODPPH SDUDVLW	)ODPPH SDUDVLW G «PDUUDJH GX EU½OHXU	<p>• /H EU½OHXU UHVW LQFDQGHV FHO • &amp;RXUDQW G LRQLVDWLRQ PHVXU« IODPPH QH GRLW -WUH SU«VHQWH WURGH G DOOXPDJH HW G LRQLVD • '«IDXW GH OD YDQQH GH JD] UHP GH JD] • '«IDXW GX WUDQVIRUPDWHXU G-DO FHU OH WUDQVIRUPDWHXU G-DOO</p>
(	(UUHXU YHQWL	ODWHVHVVH GX YHQW SODJH QRUPDOH	<p>• 0DXYDLVH FRQQH[LRQ Y«ULILHU FRQQHFWHXUV • /H YHQWLQDWHXU IRQFWLRQQH TX Y«ULILHU TXH OH WLUDJH GH OD F H[FHVLI • '«IDXW GX YHQWLQDWHXU UHP</p>
(	(UUHXU FPG 9*	/D FRPPDQGH GH OD Y G «IHFWXHXVH	<p>• 0DXYDLVH FRQQH[LRQ Y«ULILHU FRQQHFWHXUV • %ORF YDQQH JD] G «IHFWXHX[ 5H YDQQH JD]</p>
(	(UUHXU LQWHU	HUURXLOODJH LQWHU FRPPDQGH GH YDQQH	<p>• 5HPSODFHU«D*F DUWH</p>

## +LVWRULTXH GHV HUUHXUV

---

/H WDEOHDX GH FRPPDQGH LQW<sup>a</sup>JUH XQ KLVWRULT  
VRQW VWRFN«HV OHV GHUQL<sup>a</sup>UHV HUUHXUV /HV  
VWRFN«HV DYHF OHV FRGHV GH G«IDXW (OOHV FI  
OD WHPS«UDWXUH GH G«SDUW OD WHPS«UDWXUH  
GX YHQWLODWHXU HW OH FRXUDQW G LRQLVDWLR



**3RXU GH SOXV DPSOHV LQIRUPDWLRQV YRLU**  
'RFXPHQWDWLRQ FRPSO«PHQWDLUH SDJH

# &DUDFW«ULVWLTXH V WHFKQLTXHV

## +RPRORJDWLRQV

### &HUWLILFDWLRQV

7DE &HUWLILFDWLRQV

1XP«UR G LGHQWLI,IFDW&BQ &(
&ODVVH 12[
7\SH GH UDFFRUG 4,3,2,1,0 Q GHV
IXP«HV & ; & ; & & ; & ;
(1 ; /RUV GH O LQVWDOODWLRQ G XQH FKDXGL <sup>a</sup> UH DYHF % O LQVWDOODWLRQ FKDXGL <sup>a</sup> UH HVW U«GXLW ¢

### &DW«JRULHV G DSSDUHLOV

7DE &DW«JRULHV G DSSDUHLOV

3D\V	&DW«JRULH	7\SH GH JD]	3UHVVLQR GH UDFFRUGHPH
%HOJLTXH	, ( 6 % { 5 % 3	* JD] ( * * EXWDQH SURSDQH	
SRXU OHV FKDXGL <sup>a</sup> UHV D\DQW XQH SXLVVDQFH G HQWU«H QRPLQDOH 7 N: SRXU OHV FKDXGL <sup>a</sup> UHV D\DQW XQH SXLVVDQFH G HQWU«H QRPLQDOH ! N:			

### 'LUHFWLYHV

2XWUH OHV SUHVFULSWLRQV HW OHV GLUHFWLYHV FRPSO«PHQWDLUH V G«FULWHV GDQV FHWWH QRW REVHUY«HV

3RXU WRXWHV OHV SUHVFULSWLRQV HW GLUHFWLYHV HVW FRQYHQX TXH WRXV OHV FRPSO«PHQWV RX OVRQW DSSOLFDEOHV DX PRPHQW GH O-LQVWDOODWLRQ

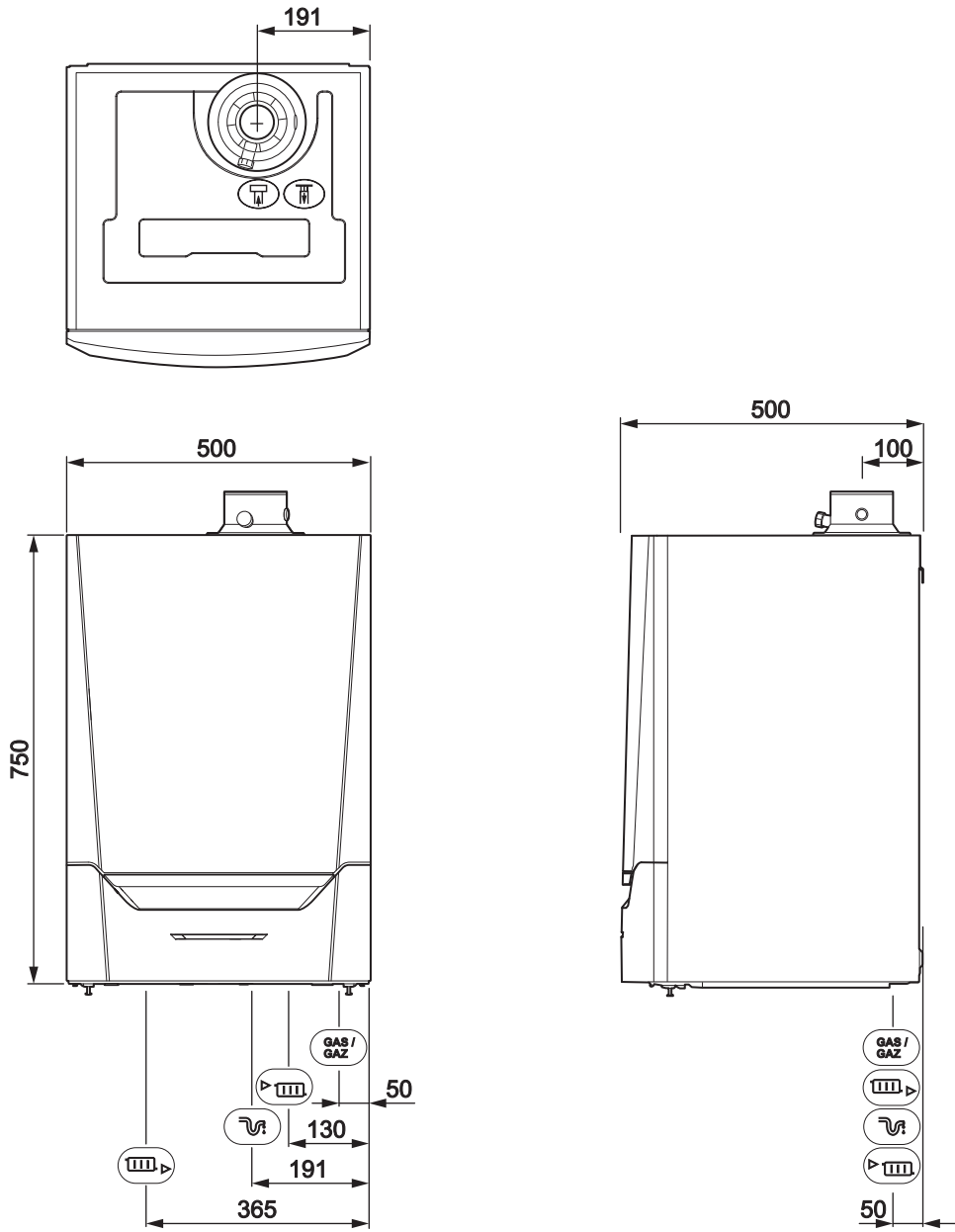
### 7HVW HQ VRUWLH G-XVLQH

\$YDQW GH TXLWWHU O XVLQH FKDTXH DSSDUHLO SHUIRUPDQFHV RSWLPDOHV HW OHV «O«PHQWV V

- 6«FXULW« «OHFWULTXH
- 5«JODJ GH
- (WDQFK«LW« F\W« HDX
- (WDQFK«LW« F\W« JD]
- 3DUDP«WUDJH

'LPHQVLRQV HW UDFFRUGHPHQWV

)LJ 'LPHQVLRQV



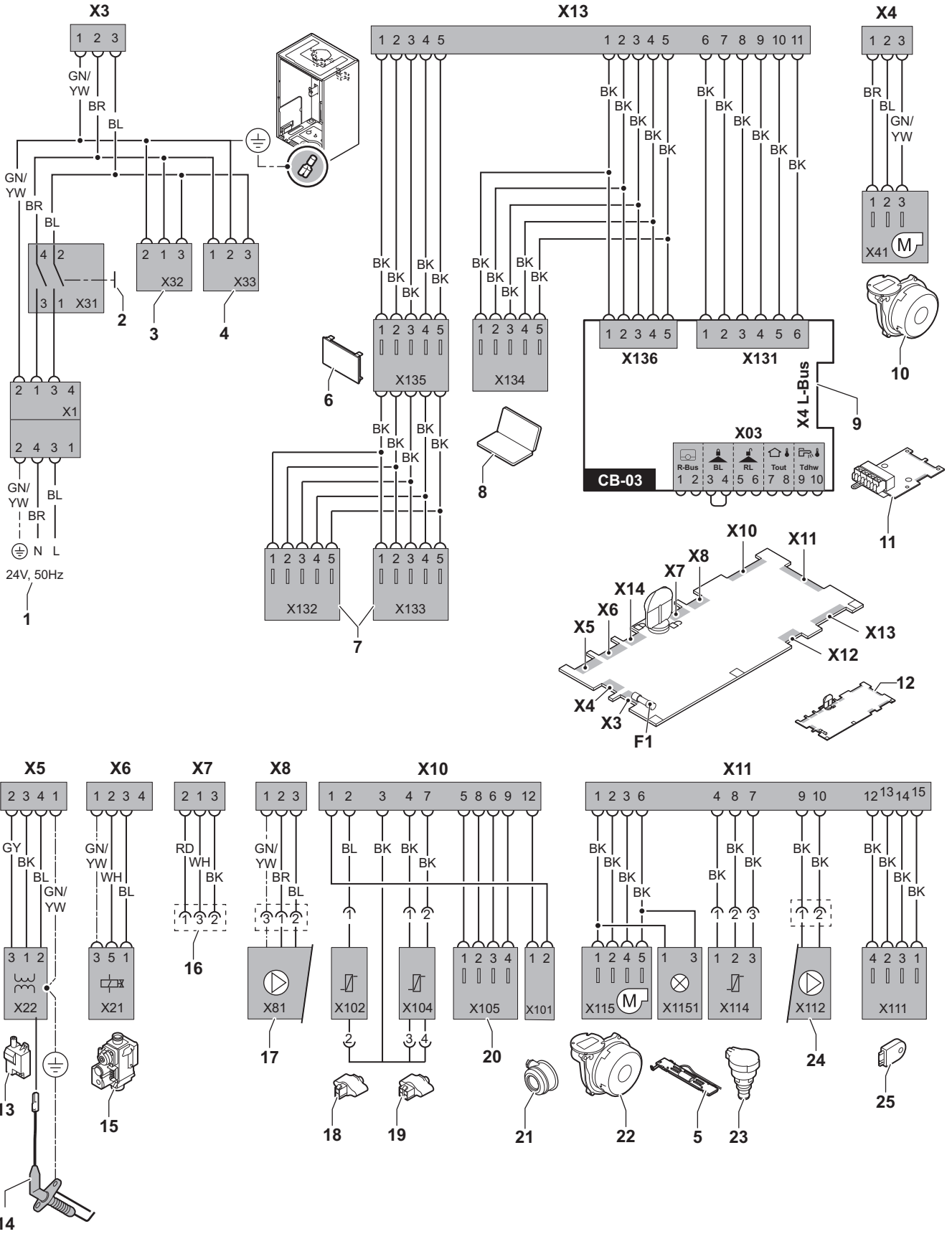
AD-4100113-01

7DE &RQQH[LRQV

,F1QH	5DFFRUGHPHQW 4XLQWD \$FH	4XLQWD \$FH	4XLQWD \$FH	4XLQWD \$FH
	%XVH GH IXP «HV š PP	š PP	š PP	š PP
	\$UULY «H G DLU š PP	š PP	š PP	š PP
	6LSKRQ	8 PP	8 PP	8 PP
	' «SDUW & +	7DUDXGDJH ~	P 7DUDXGDJH ~	P 7DUDXGDJH ~
	5HWRXU & +	7DUDXGDJH ~	P 7DUDXGDJH ~	P 7DUDXGDJH ~
GAS/GAZ	*D]	7DUDXGDJH	P 7DUDXGDJH	P 7DUDXGDJH

6FK«PD «OHFWULTXH

)LJ 6FK«PD «OHFWULTXH



\$OLPHQWDWLRQ  
 ,QWHUUXSWHXU PDUFKH DUU-W

\$OLPHQWDWLRQ SRXU OHV FDUWHV «  
 FRPPDQGH 6&% [[

\$OLPHQWDWLRQ SRXU OD FDUWH «OHFWURQLTXHV GH UHWRXU 17& NÖ r&  
 FRPPDQGH 6RQG GH G«SDUW 17& NÖ r&  
 ‹FODLUDJH LQW«ULHXU 3RLQW GH UDFFRUGHPHQW SRXU VRQ  
 ‹FUDQ Ö r&  
 3RLQWV GH UDFFRUGHPHQW GHV FDUWHV «OHFWURQLTXHV GH UHWRXU LQW  
 FRPPDQGH 6&% [[ VXSSO«PHQWDLUHV GLII«UHQWLHOOH GH O DLU  
 &RQQH[LRQ SRXU HQWUHWLHQ &RQUHOH YHQWLODWHXU  
 5DFFRUGHPHQW SRXU OHV FDUWHV &DSWHXU GH SUHVVLQ  
 «OHFWURQLTXHV GH FRPPDQGH 6&% [[ &RPPDQGH GH SRPSH 3:0  
 \$OLPHQWDWLRQ GX YHQWLODWHXU ,QIRUPDWLRQ VXU OH VWRFNDJH &68  
 &DUWH «OHFWURQLTXHV GH UHWRXU 1RLU  
 8QLW« GH FRPPDQGH %/ %OHX  
 7UDQVIRUPDWHXU G DOOXPDJH %5 0DUURQ  
 ‹OHFWURGH G DOOXPDJH G LRQLVDWLRQHUW  
 %ORF YDQQH JD] FRPELQ« \* < \*ULV  
 5DFFRUGHPHQW «OD FDUWH «OHFWURQLTXHV GH UHWRXU  
 XQH YDQQH «WURLV YRLHV 9 RX :+ 9%ODQF  
 \$OLPHQWDWLRQ GH OD SRPSH <: -DXQH

'RQQ«HV WHFKQLTXHV

7DE \*«Q«UDOLW«V

4XLQWD \$FH					
3XLVVDQFH XWLOH QRPLQDOH 4QK 0RGH FKDXIIDJH FHQWUD JD] +	PLQ PD[N: r& *				
3XLVVDQFH XWLOH QRPLQDOH 4QK 0RGH FKDXIIDJH FHQWUD JD] /	PLQ PD[N: r& *				
3XLVVDQFH XWLOH QRPLQDOH 4QK 0RGH FKDXIIDJH FHQWUD JD] +	PLQ PD[N: r& *				
3XLVVDQFH XWLOH QRPLQDOH 4QK 0RGH FKDXIIDJH FHQWUD JD] /	PLQ PD[N: r& *				
&KDUJH QRPLQDOH 4QK 0RGH FKDXIIDJH FHQWUD	PLQ PD[N: +L * JD] +				
&KDUJH QRPLQDOH 4QK 0RGH FKDXIIDJH FHQWUD	PLQ PD[N: +L * JD] /				
&KDUJH QRPLQDOH 4QK 0RGH FKDXIIDJH FHQWUD	PLQ PD[N: +V * JD] +				
&KDUJH QRPLQDOH 4QK 0RGH FKDXIIDJH FHQWUD	PLQ PD[N: +V * JD] /				
5HQGHPHQW HQ PRGH FKDXIIDJH FHQWUD SOHLQH FKDUJH 3Q +L	r&	UDO «			
5HQGHPHQW HQ PRGH FKDXIIDJH FHQWUD SOHLQH FKDUJH 3D +L	r&	UDO «			
5HQGHPHQW HQ PRGH FKDXIIDJH FHQWUD SOHLQH FKDUJH +L	&	UDO «			
5HQGHPHQW HQ PRGH FKDXIIDJH FHQWUD FKDUJH SDUWLHOOH +L WHPS«UDWXUH GH UHWRXU	r&	UDO «			
5HQGHPHQW HQ PRGH FKDXIIDJH FHQWUD FKDUJH SDUWLHOOH 3Q +L WHPS«UDWXUH GH UHWRXU	r&	UDO «			
5HQGHPHQW HQ PRGH FKDXIIDJH FHQWUD FKDUJH SDUWLHOOH 3Q +L WHPS«UDWXUH GH UHWRXU	r&	UDO «			
5HQGHPHQW HQ PRGH FKDXIIDJH FHQWUD SOHLQH FKDUJH 3Q +V	r&	UDO «			

4XLQWD \$FH						
5HQGHPHQW HQ PRGH FKSOHLQH FKDUJH 3D +V	DXIIDJH r&	FHQWUD	UD	¢		
5HQGHPHQW HQ PRGH FKSOHLQH FKDUJH +V	DXIIDJH r&	FHQWUD	UD	¢		
5HQGHPHQW HQ PRGH FKSDUWLHOH +V WHPS«UDWXUH GH UHWRXU	DXIIDJH r&	¢ FKDUJH				
5HQGHPHQW HQ PRGH FKFKDUJH SDUWLHOH 3Q +V WHPS«UDWXUH GH UHWRXU	DXIIDJH r&	FHQWUD	UD	¢		
5HQGHPHQW HQ PRGH FKFKDUJH SDUWLHOH 3D +V WHPS«UDWXUH GH UHWRXU	DXIIDJH r&	FHQWUD	UD	¢		
5«JODJH G XVLQH						

7DE 'RQQ«HV UHODWLYHV DX JD] HW DX[ IXP«HV

4XLQWD \$FH						
3UHVVLQRQ G DOLPHQWDWJD] +	ERQ BD[R]DQJ					
3UHVVLQRQ G DOLPHQWDWJD] /	ERQ BD[R]DQJ					
3UHVVLQRQ G DOLPHQWDWSDQH	ERQ BD[R]DQJ			SURo		
&RQVRPPDWRQRQ GH JD] *	PLQDPD[P K					
&RQVRPPDWRQRQ GH JD] *	PLQDPD[P K					
&RQVRPPDWRQRQ GH JD] *	PLQURD[P QK					
3HUWH GH FKDUJH F¶W« GH UDFRUGHPHQW GH OD SRLQW GH PHVXUH VXU OH PHVXUH DYHF *	JDD[ HQWUDOH	WEDOH	SRLQW			
PLVVLQRQV DQXHOHV JD] + (1 2	G+V12[ * PJ N:K					
4XDQLW« GH IXP«HV	PLQ PD[NJ K					
7HPS«UDWXUH GHV IXP«HV	H¶LQ PD[r&					
&RQWUH SUHVVLQRQ PD[L	PDQH 3D					
5HQGHPHQW GH OD FKHPLQ«H GH FKHPLQ«H FHQWUD +L r& ¢ WHPS DPE GH r&	PLQ«H GX FKDXIIDJH					
3HUWHV GH OD FKHPLQ«H GH FKHPLQ«H WUD +L r& ¢ WHPS DPE GH r&	H GX FKDXIIDJH FHQo					
&RQVRPPDWRQRQ GH JD] EDV«H VXU OH SRXYRLU FDORULILTXH LQI«ULHXU GDQV GHV FR * * 0- P						

7DE 'RQQ«HV GX FLUFXLW FKDXIIDJH

4XLQWD \$FH						
9ROXP G HDX			O			
3UHVVLQRQ KIGUDXOLTXH	GHVHU	YDFH				
3UHVVLQRQ KIGUDXOLTXH	GB[VHU	YDFH	306			
7HPS«UDWXUH GH O HDX	PD[	r&				
7HPS«UDWXUH GH VHUYL	FD[	r&				
3HUWHV GH FKDUJH F¶W« HDX	APEDU					
3HUWHV DX QLYHDX GH O	AKDELQODJH					
	Â7 r&					

7DE 'RQQ«HV «OHFWULTXH

<b>4XLQWD \$FH</b>						
7HQVLRQ G DOLPHQWDWLRQ	9 F D					
&RQVRPPDWLRQ «OHFWULTXH FHQWUDO ¢ SOHLQH FKDUJH	&KDXIIDJH					
&RQVRPPDWLRQ «OHFWULTXH FHQWUDO ¢ FKDUJH SDUWLHOH	&KDXIIDJH					
&RQVRPPDWLRQ «OHFWULTXH FHQWUDO ¢ FKDUJH PLQLPDOH	&KDXIIDJH					
&RQVRPPDWLRQ «OHFWULTXH	9HLOOH	3VE				
,QGLFH GH SURWHFWLRQ «OHFWULTXH	;	'	;	'	;	'
)XVLEOHV WHPSRULV«V	3ULQFL\$DO					
	&8 *+					
VDQV SRPSH						

7DE \$XWUHV GRQQ«HV

<b>4XLQWD \$FH</b>						
3RLGV WRWDO DYHF O HPEDOODJH						
3RLGV GH PRQWDJH PLQLPDO	NJ					
1LYHDX DFRXVWLTXH PRVHQ ¢ XQGHVWDQFH G XQ P <sup>a</sup> WUH GH OD FKDXGL <sup>a</sup> UH						
6DQV OH SDQQHDX DYDQW						

7DE 3DUDP<sup>a</sup>WUHV WHFKQLTXHV

<b>4XLQWD \$FH</b>						
&KDXGL <sup>a</sup> UH ¢ FRQGHQVDWLRQ		2XL	2XL	2XL	2XL	
&KDXGL <sup>a</sup> UH EDVVH WHPS«UDWXUH		1RQ	1RQ	1RQ	1RQ	
&KDXGL <sup>a</sup> UH GH W\SH %		1RQ	1RQ	1RQ	1RQ	
'LVSRVLWLI GH FKDXIIDJH GHV ORFDX[ FRJ«Q«UDWLRQ		SDURQ	1RQ	1RQ	1RQ	
'LVSRVLWLI GH FKDXIIDJH PL[WH		1RQ	1RQ	1RQ	1RQ	
<b>3XLVVDQFH WKHUPLTXH QRPLQDOH</b>						
3XLVVDQFH FDORULILTXH XWLOH: ¢ SXLVVDQFH FDORULILTXH QRPLQDOH HW HQ PRGH KDXWH WHPS«UDWXUH						
3XLVVDQFH FDORULILTXH XWLOH: ¢ SXLVVDQFH FDORULILTXH QRPLQDOH HW HQ U«JLPH EDVVH WHPS«UDWXUH						
<b>(IILDFLW« «QHJ«WLTXH VDLVRQQL<sup>a</sup>UH SRXU OH FKDXIIDJH GHV ORFDX[</b>						§
(IILDFLW« XWLOH ¢ OD SXLVVDQFH FDORULILO TXH QRPLQDOH HW HQ U«JLPH KDXWH WHP S«UDWXUH						
(IILDFLW« XWLOH ¢ 'GH OD SXLVVDQFH FDORULILTXH QRPLQDOH HW HQ U«JLPH EDV VH WHPS«UDWXUH						
<b>&amp;RQVRPPDWLRQ G««OHFWULFLW« DX[LOLDLUH</b>						
3OHLQH FKDUJH	HOPD[ N:					
&KDUJH SDUWLHOH	HOPLQ N:					
ORGH YHLOOH	36% N:					
<b>\$XWUHV «O«PHQWV</b>						
3HUWHV WKHUPLTXHV HQ YHLOOH						
&RQVRPPDWLRQ G «OHFWULFLW«: GX EU½OHXU G DOOXPDJH						

<b>4XLQWD \$FH</b>						
&RQVRPPDWLRQ DQQXH	00H G	«QHUJLH				
1LYHDX GH SXLVVDQFH W«ULHXU	D5	FRXVWGXH	¢ O LQo			
«PLVVLRQV G R[\GHV G	D1	RWH	PJ N:K			
3DU EDVVH WHPS«UDWXUH RQ HQWHQG r& SRXU OHV FKDXGL <sup>a</sup> UHV ¢ FRQGHQV DWLRQ O HQWU«H GX GLVSRVLWLI GH FKDXIIDJH SRXU OHV DXWUHV GLVSRVLWLIV GH FKDXIID 3DU PRGH KDXWH WHPS«UDWXUH RQ HQWHQG XQH WHPS«UDWXUH GH UHWRXU GH r& G«SDUW GH r& ¢ OD VRUWLH GX GLVSRVLWLI GH FKDXIIDJH						



**9RLU**

/D TXDWUL<sup>a</sup>PH GH FRXYHUWXUH SRXU OHV FRF

\$QQH[HV

,QIRUPDWLRQV (U3

)LFKH SURGXLW

7DE )LFKH SURGXLW

<b>5HPHXLQWD \$FH</b>					
&ODVVH G HIILFDFLW« «QHUJ«WLTXH VDLVROQL <sup>a</sup> UH SRXU OH FKDXIIDJH GHV ORFDX[			<b>A</b>	<b>A</b>	
3XLVVDQFH FDORUL <sup>b</sup> WDXMHGRFXODVNS					
(IILFDFLW« «QHUJ«WLTXH VDLVROQL <sup>a</sup> UH SRXU OH FKDXIIDJH \$HV ORFDX[					
&RQVRPPDWLRQ DQQXHOOH G «QHJLH					
1LYHDX GH SXLVVDQ:5Hc DFRQVWULXHU					
3RXU OHV FKDXGL <sup>a</sup> UHV GH FKDXIIDJH HW OHV FKDXGL <sup>a</sup> UHV GH SXLVVDQFH VXS«ULHXUH					



**9RLU**

3RXU OHV SU«FDXWLRQV SDUWLFXOL<sup>a</sup>UHV FRG  
O LQVWDOODWL&RQVWJQHQQVHWENQLW« SDJ

) LFKH GH SURGXLW FRPELQ «

) LJ

) LFKH GH SURGXLW FRPELQ « DSSOLFDEOH DX[ FKDXGL<sup>a</sup>UHV LQGLTXDQW O F SURGXLW FRPELQ « SURSRV «

**Efficacité énergétique saisonnière de la chaudière pour le chauffage des locaux**

①  
 %

**Régulateur de température**

Voir fiche sur le régulateur de température

Classe I = 1 %, Classe II = 2 %, Classe III = 1,5 %, Classe IV = 2 %, Classe V = 3 %, Classe VI = 4 %, Classe VII = 3,5 %, Classe VIII = 5 %

②  
 +  %

**Chaudière d'appoint**

Voir fiche sur la chaudière

Efficacité énergétique saisonnière pour le chauffage des locaux (en %)

③  
 (  - 'I' ) x 0,1 = ±  %

**Contribution solaire**

Voir fiche sur le dispositif solaire

Taille du capteur (en m<sup>2</sup>)

Volume du ballon (en m<sup>3</sup>)

Rendement du capteur (en %)

Classe énergétique du ballon <sup>(1)</sup>  
 A\* = 0,95, A = 0,91,  
 B = 0,86, C = 0,83,  
 D - G = 0,81

④  
 ('III' x  + 'IV' x ) x 0,9 x (  /100 ) x  = +  %

(1) Si la classe du ballon est supérieure à A, utilisez 0,95

**Pompe à chaleur d'appoint**

Voir fiche sur la pompe à chaleur

Efficacité énergétique saisonnière pour le chauffage des locaux (en %)

⑤  
 (  - 'I' ) x 'II' = +  %

**Contribution solaire ET pompe à chaleur d'appoint**

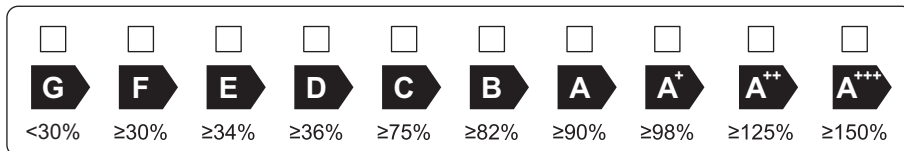
Choisir la plus petite valeur

⑥  
 0,5 x  OU 0,5 x  = -  %

**Efficacité énergétique saisonnière du produit combiné pour le chauffage des locaux**

⑦  
 %

**Classe d'efficacité énergétique saisonnière du produit combiné pour le chauffage des locaux**



**La chaudière et la pompe à chaleur d'appoint sont-elles installées avec des émetteurs de chaleur basse température à 35 C ?**

Voir fiche sur la pompe à chaleur

⑦  
 + (50 x 'II') =  %

L'efficacité énergétique obtenue avec cette fiche pour le produit combiné peut ne pas correspondre à son efficacité énergétique réelle une fois le produit combiné installé dans un bâtiment, car celle-ci varie en fonction d'autres facteurs tels que les pertes thermiques du système de distribution et le dimensionnement des produits par rapport à la taille et aux caractéristiques du bâtiment.

- , /D YDOHXU GH O-HIILFDFLW« «QHUJ«WLTXH V  
GHV ORFDX[ GX GLVSRVLWLI GH FKDXIIDJH G  
SULQFLSDO H[SULP«H HQ
- ,, /H FRHIILFLHQW GH SRQG«UDWLRQ GH OD SXL  
GLVSRVLWLI GH FKDXIIDJH XWLQLV« ¢ WLWUH  
FKDXIIDJH G-DSSRLQW GX SURGXLW FRPELQ«  
WDEOHDX VXLYDQW
- ,,, /D YDOHXU GH O-H[SUHVVLRQ PDWK«PDWLTXH  
ODTXHOOH m 3UDWHG } UHQYRLH DX GLVSRVL  
XWLQLV« ¢ WLWUH SULQFLSDO
- ,9 /D YDOHXU GH O-H[SUHVVLRQ PDWK«PDWLTXH  
ODTXHOOH m 3UDWHG } UHQYRLH DX GLVSRVL  
XWLQLV« ¢ WLWUH SULQFLSDO

7DE 3RQG«UDWLRQ GHV FKDXGL<sup>a</sup>UHV

3VXS	3UDWHG	3VXS	SURGXLW FRPELQ« QRG	TXSURGXLW FRPELQ« TXLS« G-
			G-HDX FKDXGH	FKDXGH
8				

/HV YDOHXUV LQWHUP«GLDLUHV VRQW FDOFXO«HV SDU LQWHUSRODWLRQ OLQ«DLUH HQ  
3UDWHG UHQYRLH DX GLVSRVLWLI GH FKDXIIDJH GHV ORFDX[ RX DX GLVSRVLWLI GH FK

OLVH DX UHEXW

OLVH DX UHEXW HW UHF\FODJH

 **\$WWHQWLRQ**  
6HXO XQ SURIHVVLRQQHO TXDOLIL« HVW DXW  
DX UHEXW OD FKDXGL<sup>a</sup>UH FRQIRUP«PHQW DX[  
HW QDWLRQDOHV

)LJ



3URF«GHU FRPPH VXLW SRXU G«PRQWHU OD FKDX  
(WHLQGUH OD FKDXGL<sup>a</sup>UH  
&RXSHU O DOLPHQWDWLRQ «OHFWULTXH GH OD  
)HUPHU OD YDQQH GH JD] SULQFLSDOH  
&RXSHU O DOLPHQWDWLRQ HQ HDX  
)HUPHU OD YDQQH GH JD] GH OD FKDXGL<sup>a</sup>UH  
9LGDQJHU O LQVWDOODWLRQ  
'«SRVHU OHV FRQGXLWV DLU IXP«HV  
'«EUDQFKHU WRXV OHV WX\DX[  
'«PRQWHU OD FKDXGL<sup>a</sup>UH

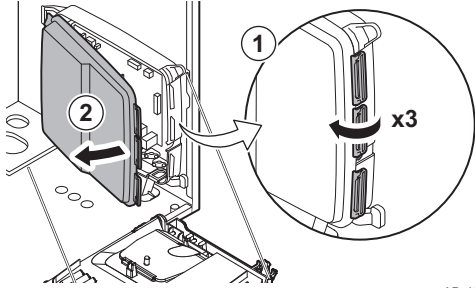
'«FODUDWLRQ GH FRQIRUPLW« &(

/ DSSDUHLO HVW FRQIRUPH DX[ QRUPHV ILJXUDQW  
FRQIRUPLW« &( ,O D «W« IDEULTX« HW PLV HQ V  
GLUHFWLYHV HXURS«HQQHV  
/D G«FODUDWLRQ GH FRQIRUPLW« RULJLQDOH HVV

5DFFRUGHPHQWV «OHFWULTXH V RSWLRQQHOV

&RIIUHW G H[WHQVLRQ «OHFWURQLTXH  
«OHFWURQLTXHV G H[WHQVLRQ

)LJ 2XYULU OH ORJHPHQW GH FDUWHV SDV G HVSDFH GDQV OH FRIIUHW WDEO  
«OHFWURQLTXHV G H[WHQVLRQ. UH SRXU LQVWDOOHU OD FDUWH «OHFWURQLTXH  
LQVWDOOHU FHOOH FL GDQV OH FRIIUHW G H[WHQVLRQ TX DFFHVVRLUH



AD-4000062-01

' «FOLSVHU OH FRXYHUFQH GX ORJHPHQW  
' «SRVHU OH FRXYHUFQH  
,QVWDOOHU OD FDUWH «OHFWURQLTXH G H[WHQVLRQ  
LQVWUXFWLRQV IRXUQLHV

k &RS\ULJKW

7RXWHV OHV LQIRUPDWLRQV WHFKQLTXHV FRQWHQXHV GDQV OD SU«VHQWH QRW  
SURSUL«W« HW QH SHXYHQW -WUH UHSURGXLWV VDQV QRWUH DXWRULVDWLRQ «

Uw leverancier / Votre fournisseur / Ihr Lieferant:

Placeholder for supplier information, indicated by corner brackets.

