

BOLLY® 2 ST

POLYWARM® COATED DOMESTIC HOT WATER CALORIFIER WITH 2 FIXED HEAT EXCHANGERS



APPLICATION

Production and storage of domestic hot water (DHW).

MATERIAL

Mild steel Polywarm® coated (Attestation ACS - SSICA - EN 16421 - WRAS)

HEAT EXCHANGER

2 Mild steel Polywarm® coated heat exchangers

INSULATION

HARD: High thermal insulation with ecological polyurethane hard foam.

CATHODE PROTECTION

Magnesium anode.

DRAIN

External confluence through drain connection

GASKET- FLANGE PLATE

Silicone gaskets suitable for water intended for human consumption (tested according to 98/83/CE), max temperature up to 200°C. Mild steel inspection flange plate with Polywarm®.

WARRANTY

5 years (See general sales conditions and warranty)

ACCESSORIES AND SPARE PARTS

See Accessories section for the entire list.



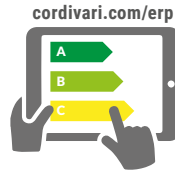
POLYWARM®
COATED
DHW STORAGE



POLYWARM®
COATED
HEAT EXCHANGER



BIM MODEL
AVAILABLE




On line ErP label tool

cordivari.com/erp



BOLLY® 2 ST WB

Model	HARD FOAM INSULATION Art. Nr.	HEAT EXCHANGER SURFACE		ENERGY EFFICIENCY CLASS 
		Upper	Lower	
150	3135162321201	0,4	0,6	B
200	3135162321202	0,5	0,8	B
300	3135162321203	0,7	1,2	B
400	3135162321204	1	1,5	C
500	3135162321205	1	1,8	C

ACCESSORIES

ELECTRIC IMMERSION HEATERS

Mod.	Heated volume by electric immersion heater [l]	MONOPHASE		
		1,5 kW	2 kW	3 kW
		5240000000051	5240000000052	5240000000053
		Ignition time from 10 °C to 45 °C with electric immersion heaters [min]		
150	54	97	73	49
200	67	120	90	60
300	106	190	143	95
400	159	285	213	142
500	174	312	234	156

THREEPHASE		
4 kW	5 kW	6 kW
5240000000047	5240000000048	5240000000049
Ignition time from 10 °C to 45 °C with electric immersion heaters [min]		
//	//	//
45	//	//
71	57	//
107	85	//
117	93	78

Electric immersion heater flange plate

See Accessories section



Titanium electronic anode

See Accessories section



HEAT MANAGER kit + electric resistance with probe and 3m cable

Art. Nr.	ELECTRICAL RESISTANCE
5240000000074	1,5 kW
5240000000075	2 kW
5240000000076	3 kW



BOLLY® 2 ST

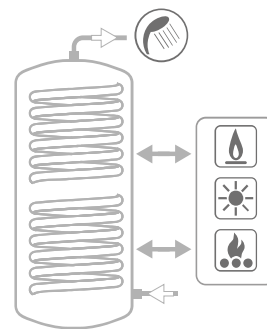
POLYWARM® COATED DOMESTIC HOT WATER CALORIFIER WITH 2 FIXED HEAT EXCHANGERS

STORAGE		HEAT EXCHANGER	
Pmax	Tmax	Pmax	Tmax
10 bar	90 °C	12 bar	110 °C

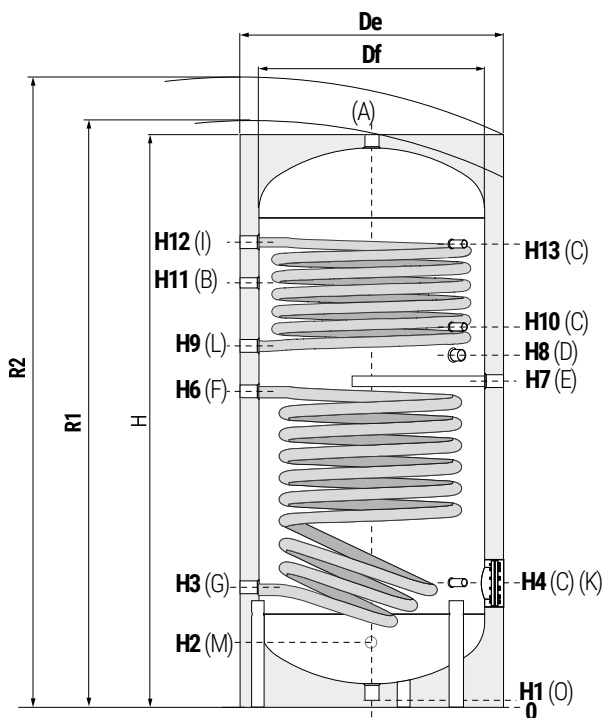


CORDIVARI® Lab

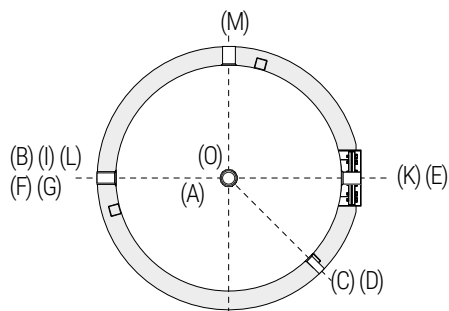
TÜV Rheinland Energie und Umwelt GmbH states that test procedures and Cordivari LAB are certified conforming to European standard EN 15332, as indicated by Ecodesign ErP Directive.



BOLLY® AND BOLLYTERM®



A	Domestic hot water outlet
B	Recirculation
C	Connection for instrumentation 1/2" G F
D	Connection for electric immersion heater
E	Connection for magnesium anode 1"1/4 G F
F	Lower heat exchanger inlet 1"1/4 G F
G	Lower heat exchanger outlet 1"1/4 G F
I	Upper heat exchanger inlet 1"1/4 G F
K	Flange for inspection
L	Upper heat exchanger outlet 1"1/4 G F
M	Domestic cold water circuit inlet
O	Drain 1" 1/4 F



Model	Volume [lt]	Weight [kg]	De	H	R2	H1	H2	H3	H4	H6	H7	H8
150	148	54	500	1414	1500	70	210	275	315	759	815	885
200	189	65	550	1434		70	220	285	325	811	855	915
300	291	83	650	1486	1622	70	246	311	381	832	871	931
400	422	112	700	1766	1900	70	261	326	396	988	1033	1091
500	498	134	750	1786	1937	70	271	346	411	1036	1076	1144

Model	H9	H10	H11	H12	H13	K	M	D	B	A
150	945	1035	1065	1185	1185	Ø120/Ø180	3/4"	1"1/2	3/4"	1"1/4
200	960	1105	1089	1195	1195	Ø120/Ø180	3/4"	1"1/2	3/4"	1"1/4
300	981	1076	1101	1221	1221	Ø120/Ø180	1"	1"1/2	1"	1"1/4
400	1143	1286	1286	1486	1486	Ø120/Ø180	1"	1"1/2	1"	1"1/4
500	1186	1296	1331	1476	1476	Ø120/Ø180	1"	1"1/2	1"	1"1/4

BOLLY® 2 ST FB - WITH ALIGNED FRONT / BACK CONNECTIONS

POLYWARM® COATED DOMESTIC HOT WATER CALORIFIER WITH 2 FIXED HEAT EXCHANGERS



APPLICATION

Production and storage of domestic hot water (DHW). All the connections are aligned on the front and on the back for quick and easy installation.

MATERIAL

Mild steel Polywarm® coated (Attestation ACS - SSICA - EN 16421 - WRAS)

HEAT EXCHANGER

2 Mild steel Polywarm® coated heat exchangers

INSULATION

HARD: High thermal insulation with ecological polyurethane hard foam. SOFT: NOFIRE® polyester fleece 100% made of recyclable material, with high thermal insulation. Fire resistance class B-s2d0 according to EN 13501. Grey PVC external lining.

CATHODE PROTECTION

Magnesium anode.

DRAIN

External confluence through drain connection. Models > 500 external confluence through drain connection.

GASKET- FLANGE PLATE

Silicone gaskets suitable for water intended for human consumption (tested according to 98/83/CE), max temperature up to 200°C. Mild steel inspection flange plate with Polywarm®.

WARRANTY

5 years (See general sales conditions and warranty)

ACCESSORIES AND SPARE PARTS

See Accessories section for the entire list.

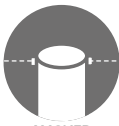
NEW



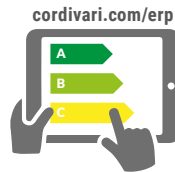
POLYWARM® COATED DHW STORAGE



POLYWARM® COATED HEAT EXCHANGER



ALIGNED



On line ErP label tool



BOLLY® 2 ST FB WB

Model	HARD FOAM INSULATION Art. Nr.	HEAT EXCHANGER SURFACE [m²]		ENERGY EFFICIENCY CLASS ErP
		Upper	Lower	
150	3134162330011	0,4	0,6	B
200	3134162330012	0,5	0,8	B
300	3134162330013	0,7	1,2	B
400	3134162330014	1	1,5	C
500	3134162330015	1	1,8	C
800	3134162330016	1,6	2,7	B
1000	3134162330017	1,8	3,5	B
1500	3134162330018	1,9	3,8	C



BOLLY® 2 ST FB WC

Model	DISMOUNTABLE SOFT FLEECE insulation Art. Nr.	HEAT EXCHANGER SURFACE [m²]		ENERGY EFFICIENCY CLASS ErP
		Upper	Lower	
800	3138162320112	1,6	2,7	C
1000	3138162320113	1,8	3,5	C
1500	3138162320114	1,9	3,8	C

ACCESSORIES

ELECTRIC IMMERSION HEATERS

Mod.	Heated volume by electric immersion heater [lit]	MONOPHASE			THREEPHASE					
		1,5 kW	2 kW	3 kW	4 kW	5 kW	6 kW	9 kW	12 kW	
		5240000000051	5240000000052	5240000000053	5240000000047	5240000000048	5240000000049	5240000000050	5240000000031	
		Ignition time from 10 °C to 45 °C with electric immersion heaters [min]								
150	54	97	73	49	37	//	//	//	//	
200	67	120	90	60	45	//	//	//	//	
300	106	190	143	95	71	57	//	//	//	
400	159	285	213	142	107	85	//	//	//	
500	174	312	234	156	117	93	78	//	//	
800	310	554	416	277	208	166	139	92	69	
1000	390	698	524	349	262	210	175	116	87	
1500	559	1002	751	501	376	301	250	167	125	

Electric immersion heater flange plate

See Accessories section



Titanium electronic anode

See Accessories section



Thermometer

Art. Nr.
5032240000107
5 units box



BOLLY® 2 ST FB - WITH ALIGNED FRONT / BACK CONNECTIONS

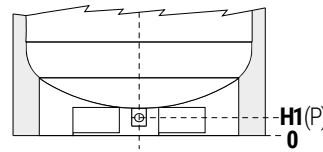
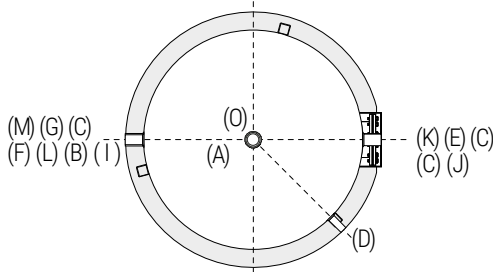
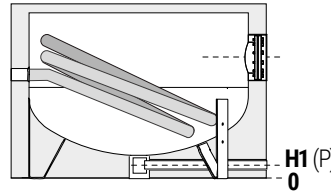
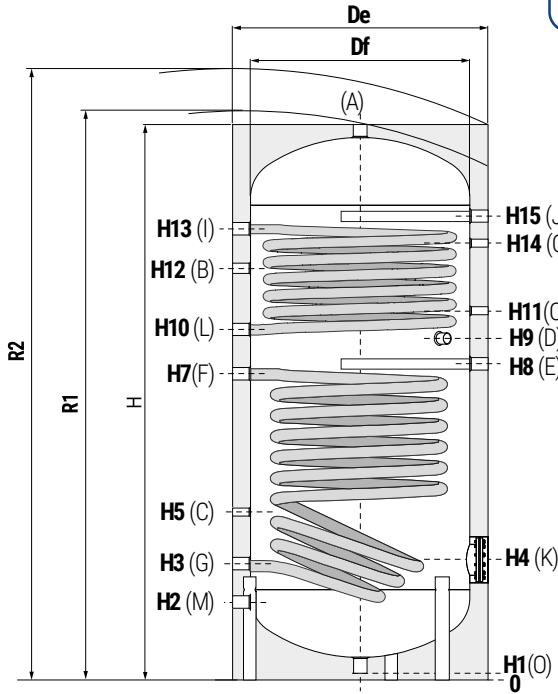
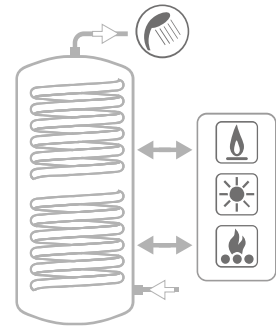
POLYWARM® COATED DOMESTIC HOT WATER CALORIFIER WITH 2 FIXED HEAT EXCHANGERS

Model	STORAGE		HEAT EXCHANGER	
	Pmax	Tmax	Pmax	Tmax
150 ÷ 800	10 bar	90 °C	12 bar	110 °C
1000 ÷ 1500	8 bar	90 °C	12 bar	110 °C



— CORDIVARI® Lab

TÜV Rheinland Energie und Umwelt GmbH states that test procedures and Cordivari LAB are certified conforming to European standard EN 15332, as indicated by Ecodesign ErP Directive.



A	Domestic hot water outlet
B	Recirculation
C	Connection for instrumentation 1/2" G F
D	Connection for electric immersion heater
E	Connection for magnesium anode 1" 1/4 G F
F	Lower heat exchanger inlet 1" 1/4 G F
G	Lower heat exchanger outlet 1" 1/4 G F
I	Upper heat exchanger inlet 1" 1/4 G F
J	Connection for 2nd magnesium anode 1" 1/4 G F (only for models >500)
K	Flange for inspection
L	Upper heat exchanger outlet 1" 1/4 G F
M	Domestic cold water circuit inlet
O	Drain 1" 1/4 F - For models ≤ 500
P	Drain - For models > 500

Models from 1500 to 5000 are equipped with a practical **skirt** support which facilitate the handling with transpallets and forklifts. Also, discharge piping already mounted to allow **total emptying**.

BOLLY®
AND BOLLYTERM®

BOLLY® 2 ST FB WB - HARD FOAM INSULATION

Model	Vol. Weight		DF	DE	H	R2	H1	H2	H3	H4	H5	H7	H8	H9	H10	H11	H12	H13	H14	H15	K	P M D B A				
	[lt]	[kg]	[mm]																			Connections F				
150	148	54	-	500	1414	1505	71	210	275	315	395	765	815	885	945	975	1065	1185	1185	//	Øi120/Øe180	-	3/4"	1" 1/2"	3/4"	1" 1/4"
200	189	65	-	550	1434	1540	71	220	285	325	405	811	855	915	960	985	1089	1195	1195	//	Øi120/Øe180	-	3/4"	1" 1/2"	3/4"	1" 1/4"
300	291	83	-	650	1486	1630	71	246	311	381	431	832	871	931	981	1011	1101	1221	1221	//	Øi120/Øe180	-	1"	1" 1/2"	1"	1" 1/4"
400	422	112	-	700	1766	1905	71	261	326	396	446	988	1033	1091	1143	1166	1286	1486	1486	//	Øi120/Øe180	-	1"	1" 1/2"	1"	1" 1/4"
500	498	134	-	750	1786	1945	71	271	346	411	466	1036	1076	1144	1186	1206	1331	1476	1476	//	Øi120/Øe180	-	1"	1" 1/2"	1"	1" 1/4"
800	789	232	750	900	2163	2350	101	338	428	483	548	1181	1243	1308	1362	1378	1598	1770	1708	1818	Øi170/Øe240	3/4"	1"	2"	1"	1" 1/4"
1000	1038	272	850	1000	2217	2440	89	359	439	499	559	1279	1309	1364	1399	1444	1584	1819	1729	1839	Øi170/Øe240	3/4"	1" 1/4"	2"	1"	1" 1/2"
1500	1443	351	950	1100	2440	2685	109	340	425	575	545	1403	1450	1515	1550	1585	1825	2045	1965	2075	Øi300/Øe380	1"	1" 1/2"	2"	1"	2"

BOLLY® 2 ST FB WC - DISMOUNTABLE SOFT FLEECE

Model	Vol. Weight		DF	DE	H	R1	R2	H1	H2	H3	H4	H5	H7	H8	H9	H10	H11	H12	H13	H14	H15	K	P M D B A				
	[lt]	[kg]	[mm]																			Connections F					
800	789	232	750	950	2163	2205	2365	101	338	428	483	548	1181	1243	1308	1362	1378	1598	1770	1708	1818	Øi170/Øe240	3/4"	1"	2"	1"	1" 1/4"
1000	1038	272	850	1050	2217	2270	2455	89	359	439	499	559	1279	1309	1364	1399	1444	1584	1819	1729	1839	Øi170/Øe240	3/4"	1" 1/4"	2"	1"	1" 1/2"
1500	1443	351	950	1150	2440	2500	2700	109	340	425	575	545	1403	1450	1515	1550	1585	1825	2045	1965	2075	Øi300/Øe380	1"	1" 1/2"	2"	1"	2"

BOLLY® 2 ST / 2 ST FB

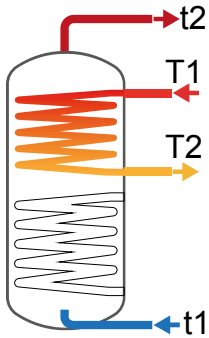
HEAT EXCHANGERS TECHNICAL DATA



Data have been calculated on following basis:

- 1) Primary circuit at T1 and proper energy source;
- 2) Production of DHW in continuous from 10 °C to t2;
- 3) DHW that can be taken in the first 10' and in the first hour from storage at 60°C, input 10°C and output 45°C;
- 4) Sanitary water according to UNI CTI 8065.

UPPER
HEAT EXCHANGER



Model	Primary Flow rate [m³/h]	Ignition time (minutes) from 10 °C to t2 and primary at T1				Maximum power exchange (kW) with primary at T1, secondary within 10-45 °C and constant use of DHW production				DHW continuous production lt/h within 10-45 °C and primary at T1			
		T1/t2				T1				T1			
	55/50	65/60	70/60	80/60	55	65	70	80	55	65	70	80	
150	2	47	49	34	22	4,5	6,8	7,9	10,3	109	165	194	254
	1	52	64	38	24	4,1	6,2	7,2	9,4	100	151	177	231
200	2,5	46	48	33	21	5,7	8,6	10	13,1	138	210	247	322
	1,25	51	53	37	24	5,3	7,9	9,3	12	129	194	227	296
300	3	51	53	37	24	8	12,1	14,1	18,4	195	296	347	453
	1,5	57	59	41	27	7,5	11,2	13,1	16,9	183	274	321	416
400	3,5	55	57	40	26	11,4	17,2	20,2	26,2	279	423	496	646
	1,75	61	63	44	29	10,7	16	18,6	24	262	392	458	592
500	3,5	61	64	44	29	11,4	17,2	20,2	26,2	279	423	496	646
	1,75	68	70	49	32	10,7	16	18,6	24	262	392	458	592
800	6	68	71	49	32	18,3	27,6	32,3	41,9	447	677	794	1034
	3	75	78	54	36	17,2	25,6	29,8	38,5	419	628	733	949
1000	6	79	82	57	37	20,5	30,9	36,1	46,9	501	759	889	1157
	3	87	91	64	42	19,2	28,5	33,3	42,9	469	701	818	1057
1500	6	87	90	63	41	26	39	45,6	59,1	636	959	1123	1457
	3	97	102	71	46	24,2	35,8	41,6	53,6	592	879	1024	1318

Model	Primary Flow rate [m³/h]	DHW produced in the first 10 minutes in lt/10' input 10 °C output 45 °C, storage at t2 and primary at T1				DHW produced in the first hour in lt/60' input 10 °C output 45 °C, storage at t2 and primary at T1				Heat exchanger pressure drop	
		T1/t2				T1/t2				[mm.c.a.]	[mbar]
	55/50	65/60	70/60	80/60	55/50	65/60	70/60	80/60			
150	2	73	96	101	111	142	201	224	272	145,90	14,31
	1	72	94	98	107	135	189	210	253	40,41	3,96
200	2,5	92	121	127	139	179	254	283	343	275,70	27,04
	1,25	90	118	124	135	172	241	267	323	76,37	7,49
300	3	141	185	194	211	265	373	413	498	541,01	53,06
	1,5	139	181	189	205	255	355	393	469	149,87	14,70
400	3,5	211	276	288	313	388	544	603	723	1028,24	100,84
	1,75	208	271	282	304	374	519	572	679	284,83	27,93
500	3,5	229	299	311	336	406	567	625	745	1028,24	100,84
	1,75	227	294	305	327	392	542	595	702	284,83	27,93
800	6	401	521	541	581	684	950	1044	1236	911,70	89,41
	3	397	513	531	567	662	911	995	1168	252,55	24,77
1000	6	508	657	678	723	825	1137	1241	1456	1025,66	100,58
	3	502	647	666	706	799	1091	1184	1376	284,12	27,86
1500	6	691	891	919	974	1094	1499	1630	1897	1310,57	128,52
	3	684	878	902	951	1059	1435	1551	1786	363,04	35,60

BOLLY® 2 ST / 2 ST FB

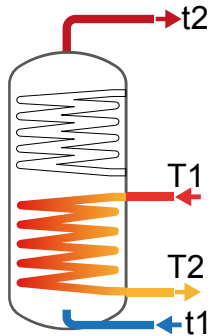
HEAT EXCHANGERS TECHNICAL DATA



Data have been calculated on following basis:

- 1) Primary circuit at T1 and proper energy source;
- 2) Production of DHW in continuous from 10 °C to t2;
- 3) DHW that can be taken in the first 10' and in the first hour from storage at 60°C, input 10°C and output 45°C;
- 4) Sanitary water according to UNI CTI 8065.

LOWER
HEAT EXCHANGER



Model	Primary Flow rate [m³/h]	Ignition time (minutes) from 10 °C to t2 and primary at T1				Maximum power exchange (kW) with primary at T1, secondary within 10-45 °C and constant use of DHW production				DHW continuous production lt/h within 10-45 °C and primary at T1			
		T1/t2				T1				T1			
		55/50	65/60	70/60	80/60	55	65	70	80	55	65	70	80
150	2	99	102	71	46	6,6	10	11,7	15,2	162	246	288	371
	1	111	116	81	53	6,1	9,1	10,6	13,2	149	223	260	336
200	2,5	92	95	66	43	9	13,5	15,8	20,5	220	332	389	506
	1,25	103	107	75	49	8,3	12,3	14,4	18,5	203	303	354	456
300	3	97	101	70	45	13,5	20,2	23,6	30,6	331	498	583	756
	1,5	106	111	78	51	12,5	18,5	21,5	27,5	307	455	529	680
400	3,5	105	110	76	50	16,9	25,4	29,6	38,3	416	625	731	947
	1,75	117	122	86	57	15,4	23,2	26,9	34,5	387	571	664	853
500	3,5	111	116	81	53	20,2	30,1	35,1	45,3	496	742	867	1121
	1,75	126	131	93	61	18,7	27,3	31,7	40,6	459	674	782	1000
800	6	116	120	84	55	30,3	45,4	53	68,6	746	1120	1309	1695
	3	131	136	96	64	28,2	41,4	48,1	61,6	692	1021	1186	1521
1000	6	114	119	84	56	38,9	57,9	67,5	87	958	1429	1667	2151
	3	132	138	98	65	35,5	52,2	60,4	77	882	1288	1492	1903
1500	6	162	168	119	78	41	61	71	91,5	1009	1504	1753	2261
	3	189	197	139	92	37,7	54,9	63,4	80,7	927	1352	1564	1993

Model	Primary Flow rate [m³/h]	DHW produced in the first 10 minutes in lt/10' input 10 °C output 45 °C, storage at t2 and primary at T1				DHW produced in the first hour in lt/60' input 10 °C output 45 °C, storage at t2 and primary at T1				Heat exchanger pressure drop	
		T1/t2				T1/t2				[mm.c.a.]	[mbar]
		55/50	65/60	70/60	80/60	55/50	65/60	70/60	80/60		
150	2	195	251	258	272	298	407	440	507	218,85	21,46
	1	193	247	253	266	287	388	418	479	60,62	5,95
200	2,5	253	325	335	354	392	536	581	675	441,12	43,26
	1,25	250	321	329	346	378	512	553	635	122,19	11,98
300	3	388	499	513	542	597	814	882	1021	927,45	90,95
	1,5	384	492	504	529	578	780	839	960	256,91	25,19
400	3,5	550	706	723	759	814	1101	1186	1359	1480,67	145,20
	1,75	546	697	712	744	791	1058	1133	1284	410,16	40,22
500	3,5	651	834	855	897	965	1304	1404	1607	1850,84	181,50
	1,75	645	822	840	877	935	1249	1336	1510	512,70	50,28
800	6	1026	1314	1345	1410	1499	2023	2174	2483	1538,50	150,87
	3	1017	1297	1325	1381	1455	1944	2076	2344	426,18	41,79
1000	6	1345	1720	1759	1840	1952	2625	2815	3202	1994,35	195,58
	3	1332	1696	1730	1799	1891	2512	2675	3004	552,45	54,18
1500	6	1870	2378	2419	2504	2509	3330	3530	3936	2108,31	206,75
	3	1856	2352	2388	2459	2443	3209	3378	3722	584,02	57,27

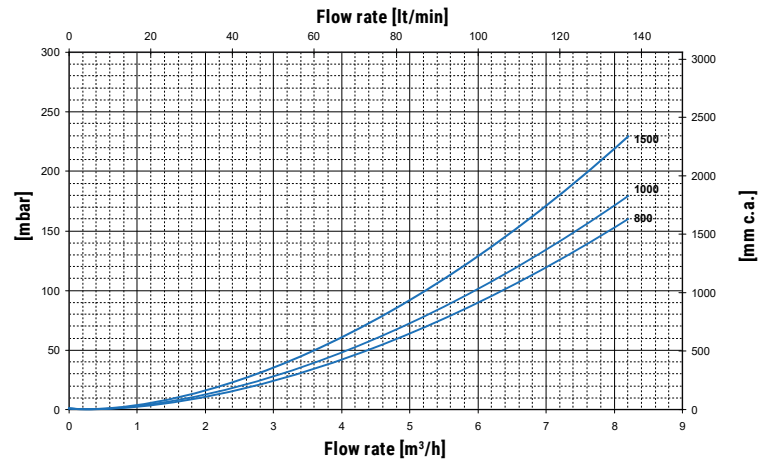
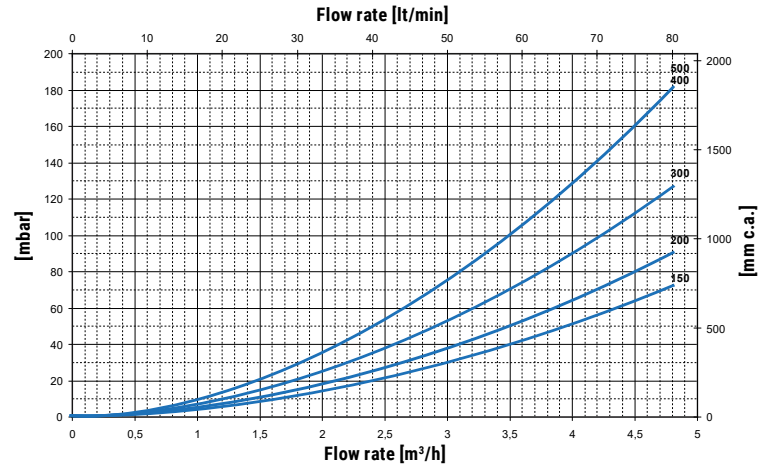
BOLLY®
AND BOLLITERM®

BOLLY® 2 ST / 2 ST FB

HEAT EXCHANGERS PRESSURE DROP - UPPER

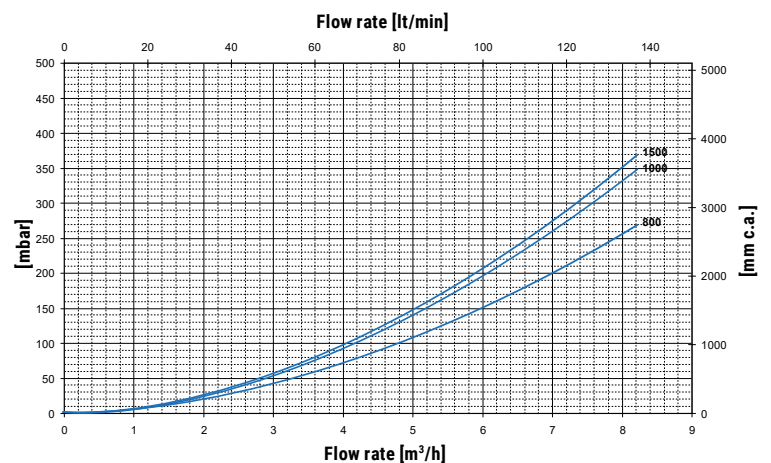
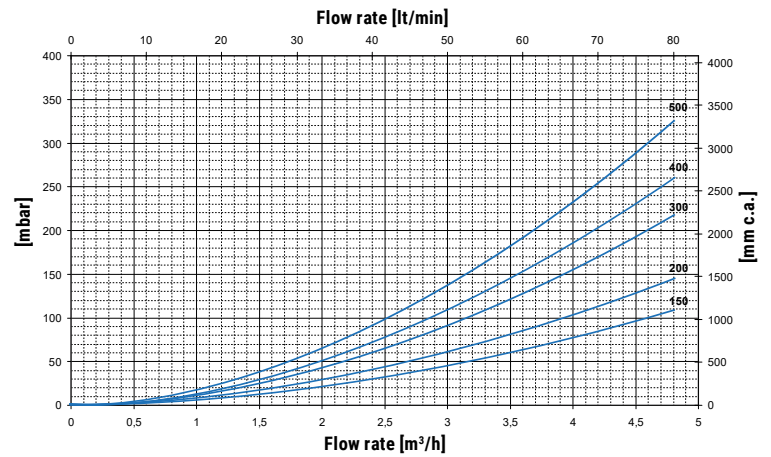


Heat exchangers surface [m ²]	
150	0,4
200	0,5
300	0,7
400	1
500	1
800	1,6
1000	1,8
1500	1,9



HEAT EXCHANGERS PRESSURE DROP - LOWER

Heat exchangers surface [m ²]	
150	0,6
200	0,8
300	1,2
400	1,5
500	1,8
800	2,7
1000	3,5
1500	3,8



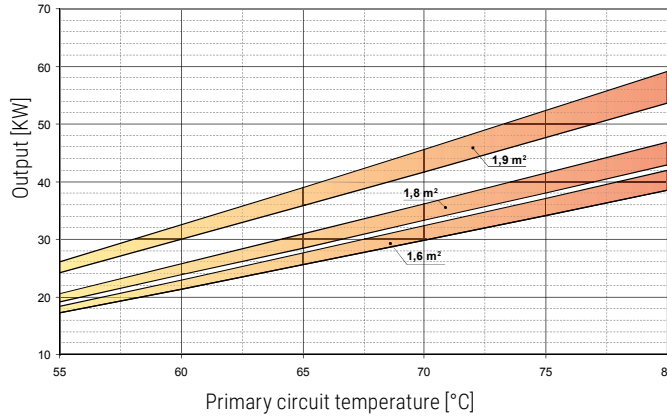
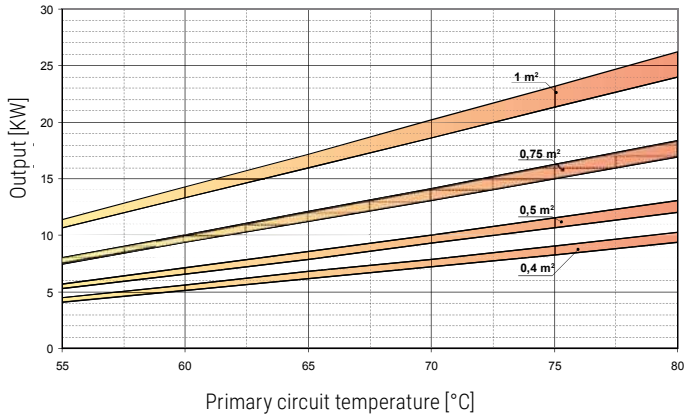
BOLLY® 2 ST / 2 ST FB

HEAT EXCHANGERS TECHNICAL DATA - UPPER



Heat Exchanger output referred to temperature and flow rate of primary circuit and with secondary at 10/45°C at maximum withdrawal of producible DHW (Upper limit of the curves referred to maximum primary flow rate in the heat exchanger, while the lower limit in the curves refer to the minimum primary flow rate).

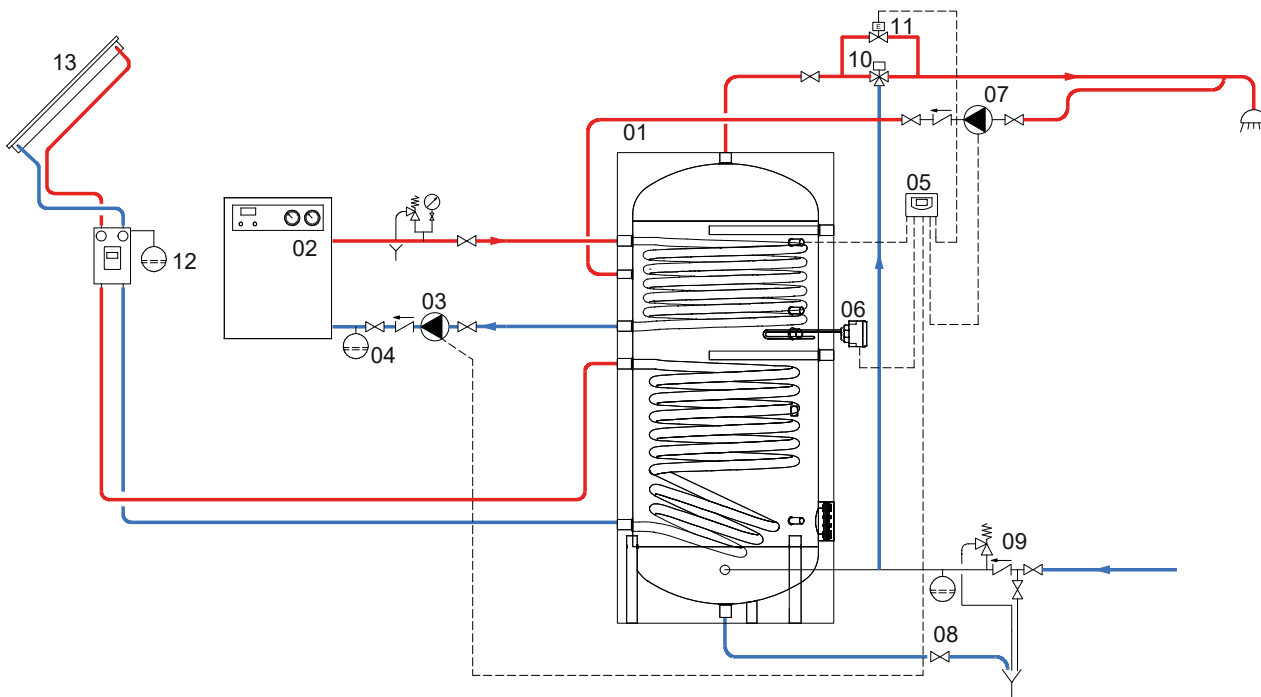
For Lower heat exchangers technical data- see BOLLY® 1 ST



Heat exchanger surface	0,4 m ²		0,8 m ²		1,2 m ²		1,5 m ²		3,5 m ²	
	MAX	MIN	MAX	MIN	MAX	MIN	MAX	MIN	MAX	MIN
Flow rate [m ³ /h]	2	1	2,5	1,25	3	1,5	3,5	1,75	6	3

Heat exchanger surface	1,6 m ²		1,8 m ²		1,9 m ²	
	MAX	MIN	MAX	MIN	MAX	MIN
Flow rate [m ³ /h]	6	3	6	3	6	3

EXAMPLE OF INSTALLATION WITH BOLLY® 2 ST / 2 ST FB



1 BOLLY® 2 ST	5 Electronic control /thermostat	9 Hydraulic safety group	13 Solar panels
2 Generator	6 Electric immersion heater (optional)	10 Thermostatic mixing valve	
3 Circulation group	7 D.W. recirculation group	11 By-pass solenoid valve	
4 Expansion vessel	8 Blowdown valve	12 Solar system circulation group	

The following schemes are purely illustrative. To realize the installation, always refer to a qualified technician.